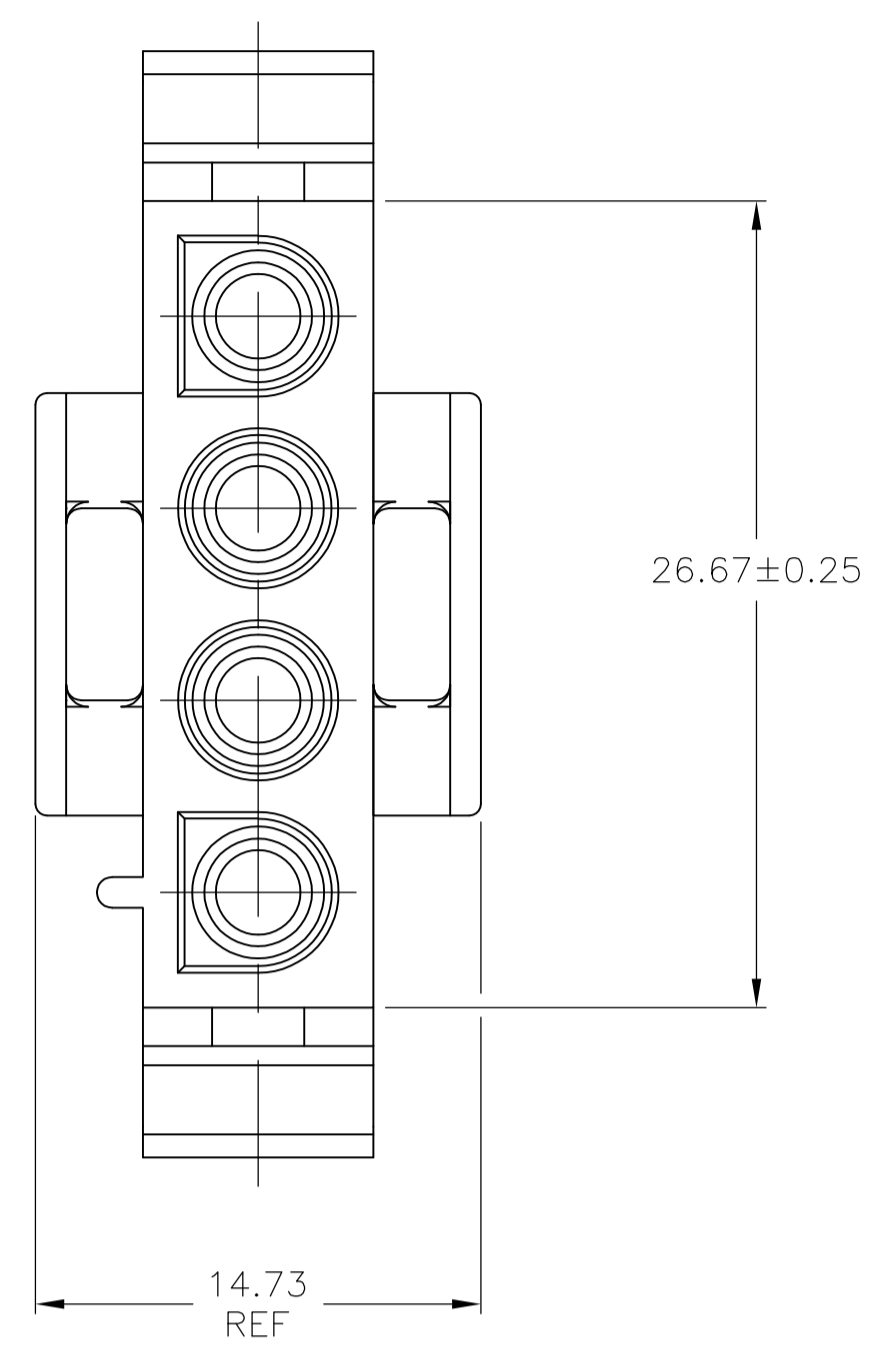
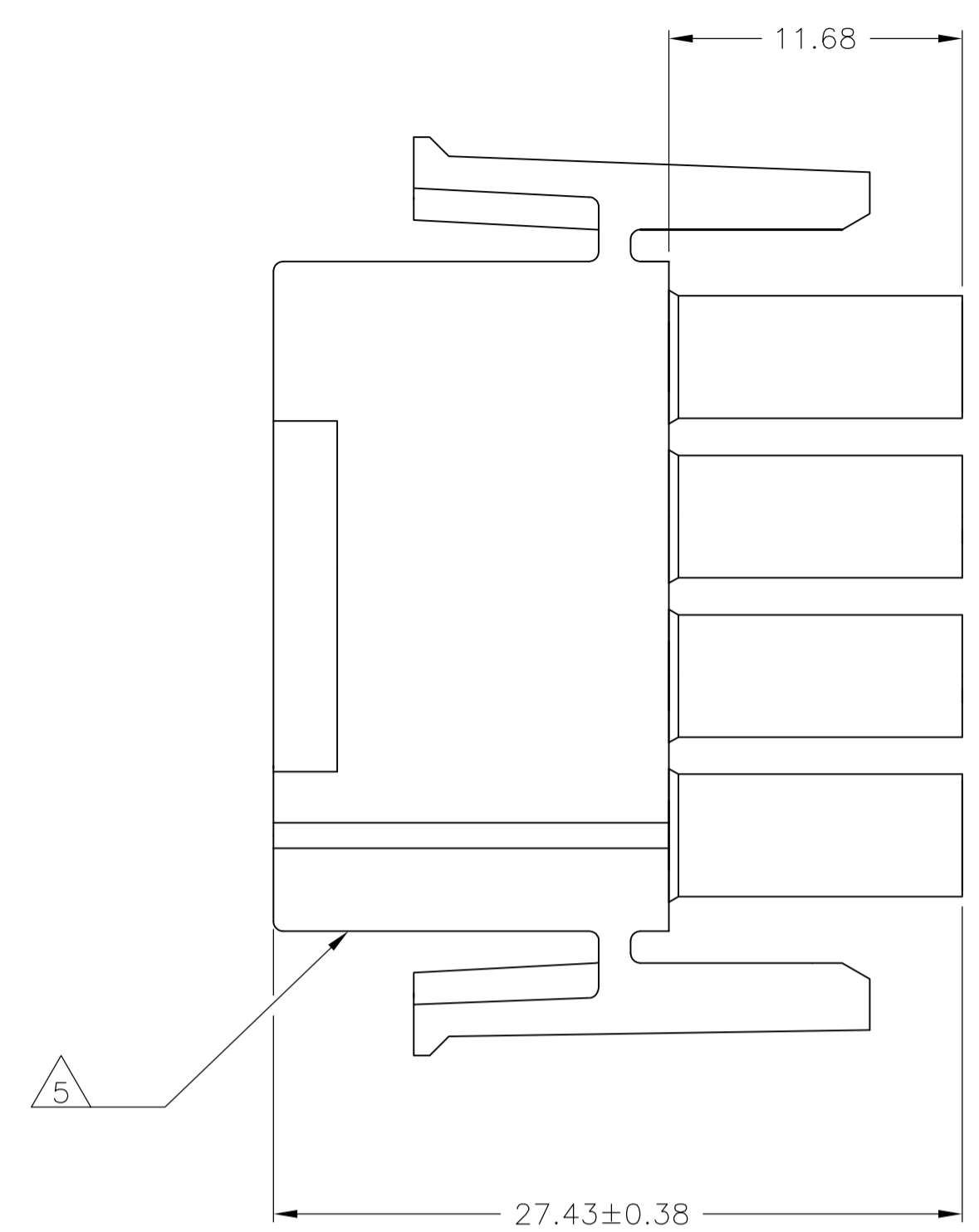
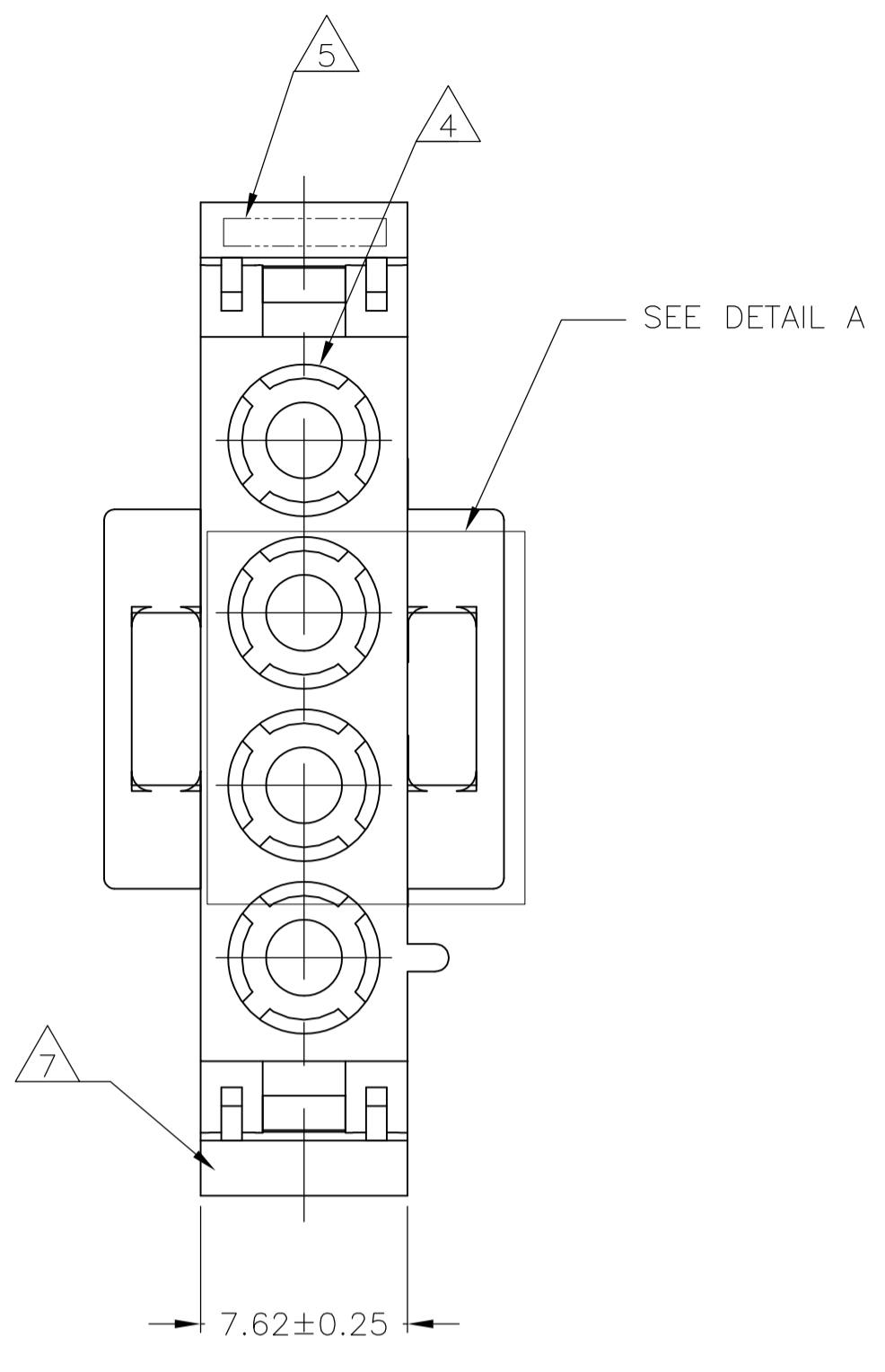
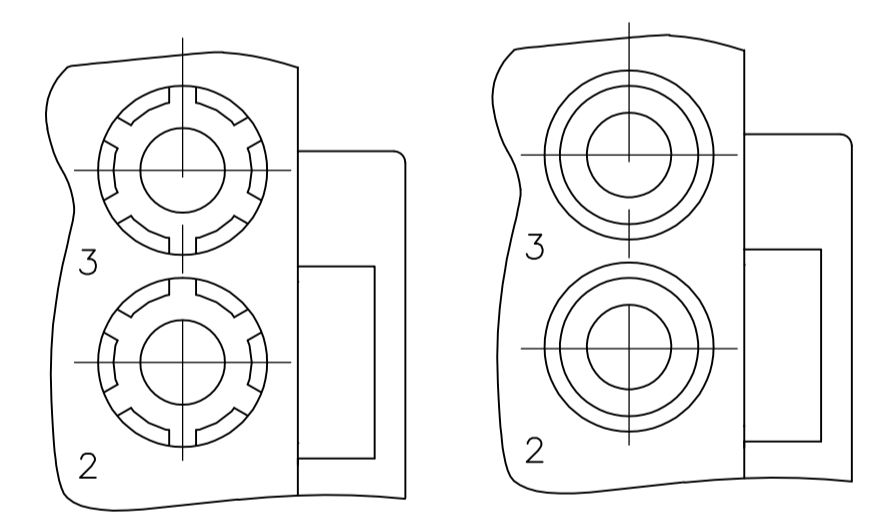
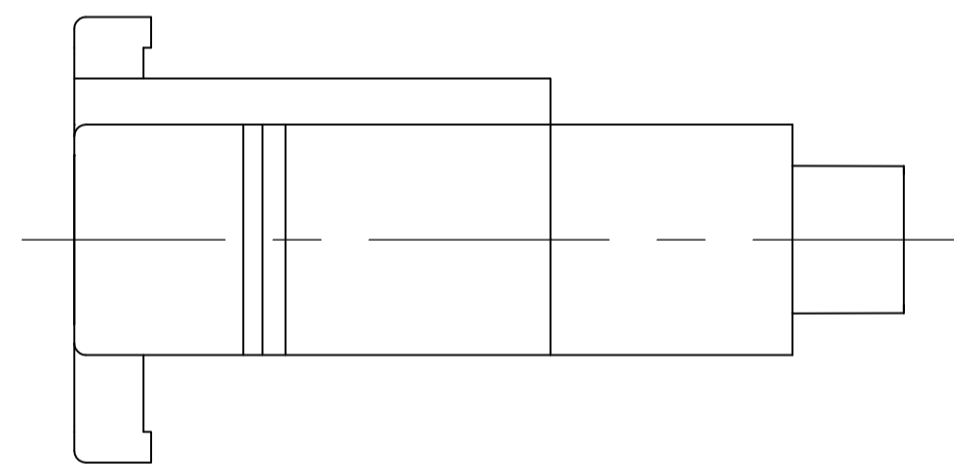


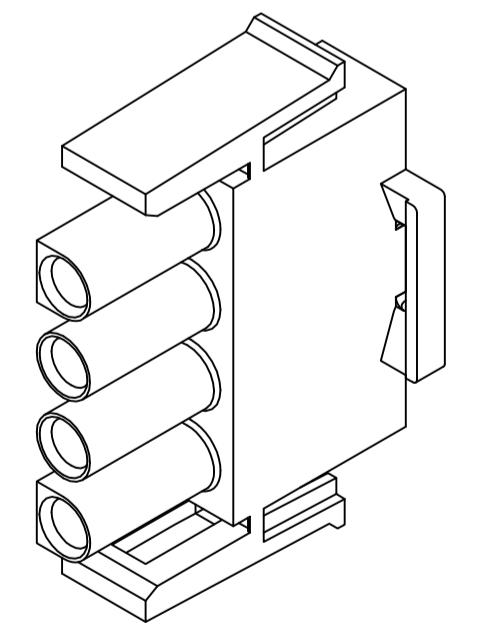
LOC	DIST	REVISIONS			
P	LTR	DESCRIPTION	DATE	DMN	APVD
CM	0				
AP3		REVISED PER ECR-17-008392	26JUN2017	BW	KR



- NOTES:
- MATES WITH APPROPRIATE UNIVERSAL MATE-N-LOK™ CAP OR HEADER.
 - SMALL NICKS ARE PERMITTED ON THE CIRCUIT TOWERS WHICH COULD INCREASE THE INITIAL HOUSING MATING FORCE BY UP TO 4.4 NEWTONS [1.0 LBS]. NO INDIVIDUAL NICKED TOWER SHALL INCREASE THIS FORCE BY OVER 2.2 NEWTONS [.5 LBS].
 - DIMENSIONS SHOWN REPRESENT PRODUCT IN DRY, AS MOLDED, CONDITION. ADDITIONAL 2% GROWTH DUE TO SUBSEQUENT MOISTURE ABSORPTION MAY OCCUR AND SHOULD BE ACCOUNTED FOR.
- △ 4 FOUR RIBS EQUALLY SPACED, NO SPECIFIC ORIENTATION. NO RIBS OR SIX RIBS EQUALLY SPACED, NO SPECIFIC ORIENTATION, OPTIONAL.
- △ 5 UNDERWRITERS RECOGNIZED COMPONENT LOGO AND CSA CERTIFICATION LOGO TO BE LOCATED ONCE EACH ON SIDE OF HOUSING.
- △ 6 TRADEMARK LOCATION (AMP OR TE CONNECTIVITY).
- △ 7 MANUFACTURING LOCATION ID (OPTIONAL).
- △ 8 OBSOLETE PARTS: OBSOLETE CIS STREAMLINING PER D.RENAUD/D.SINISI



DETAIL A
OPTIONAL CONSTRUCTION



3-DIMENSIONAL MODEL
NTS

mm	IN
27.43	1.080
26.67	1.050
14.73	.580
11.68	.460
7.62	.300
0.38	.015
0.25	.010
0.13	.005
MM	IN

CONVERSION TABLE

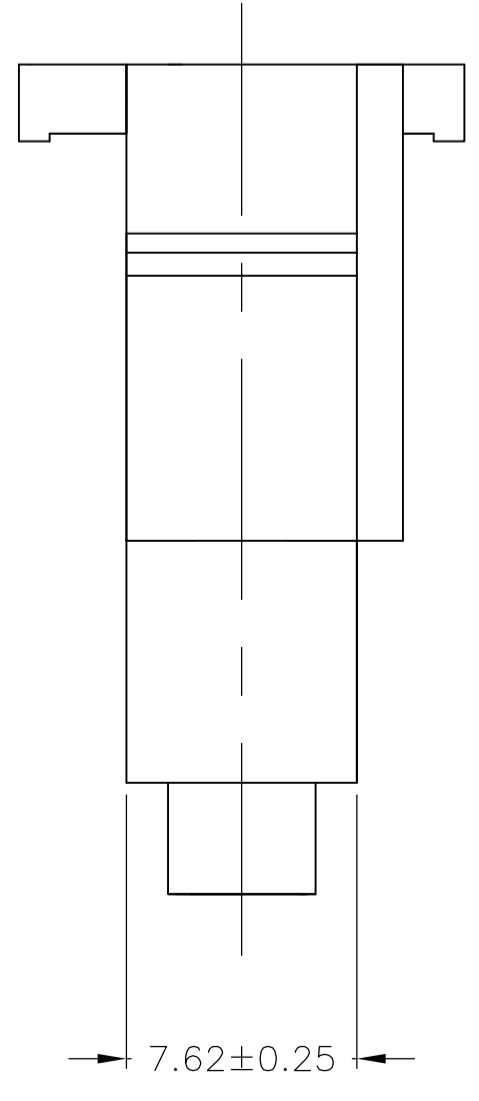
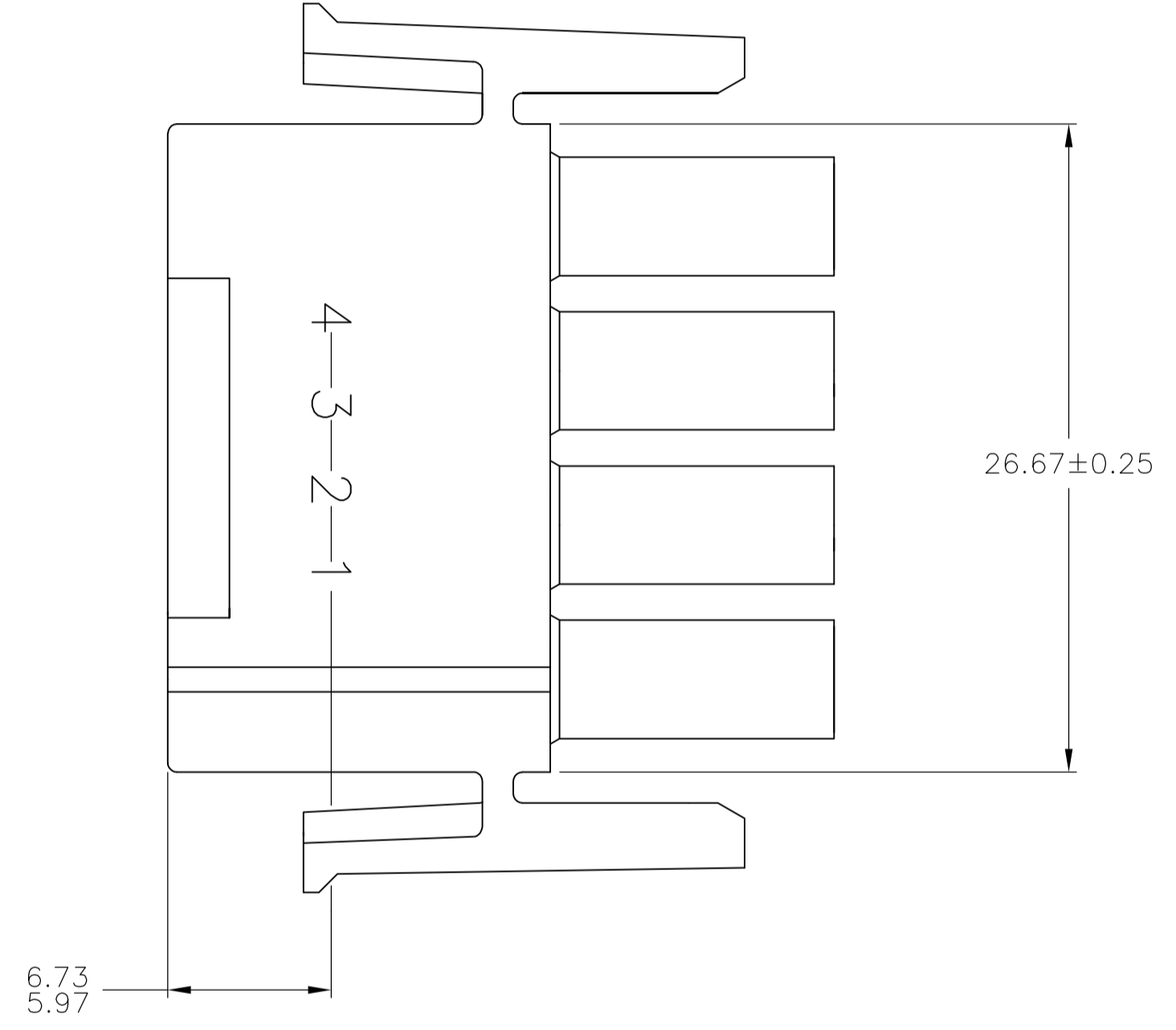
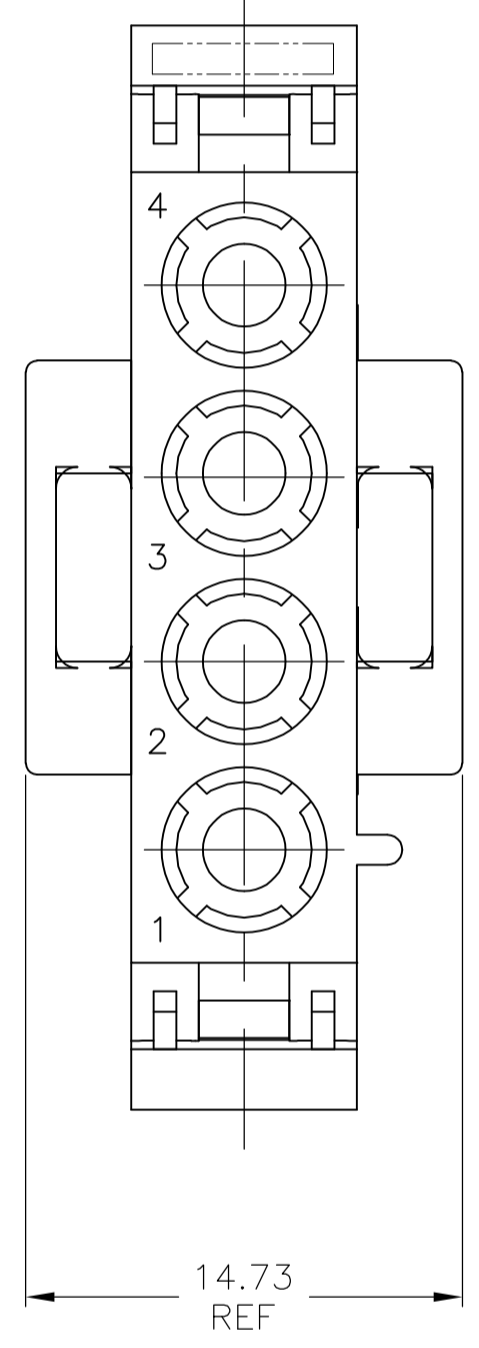
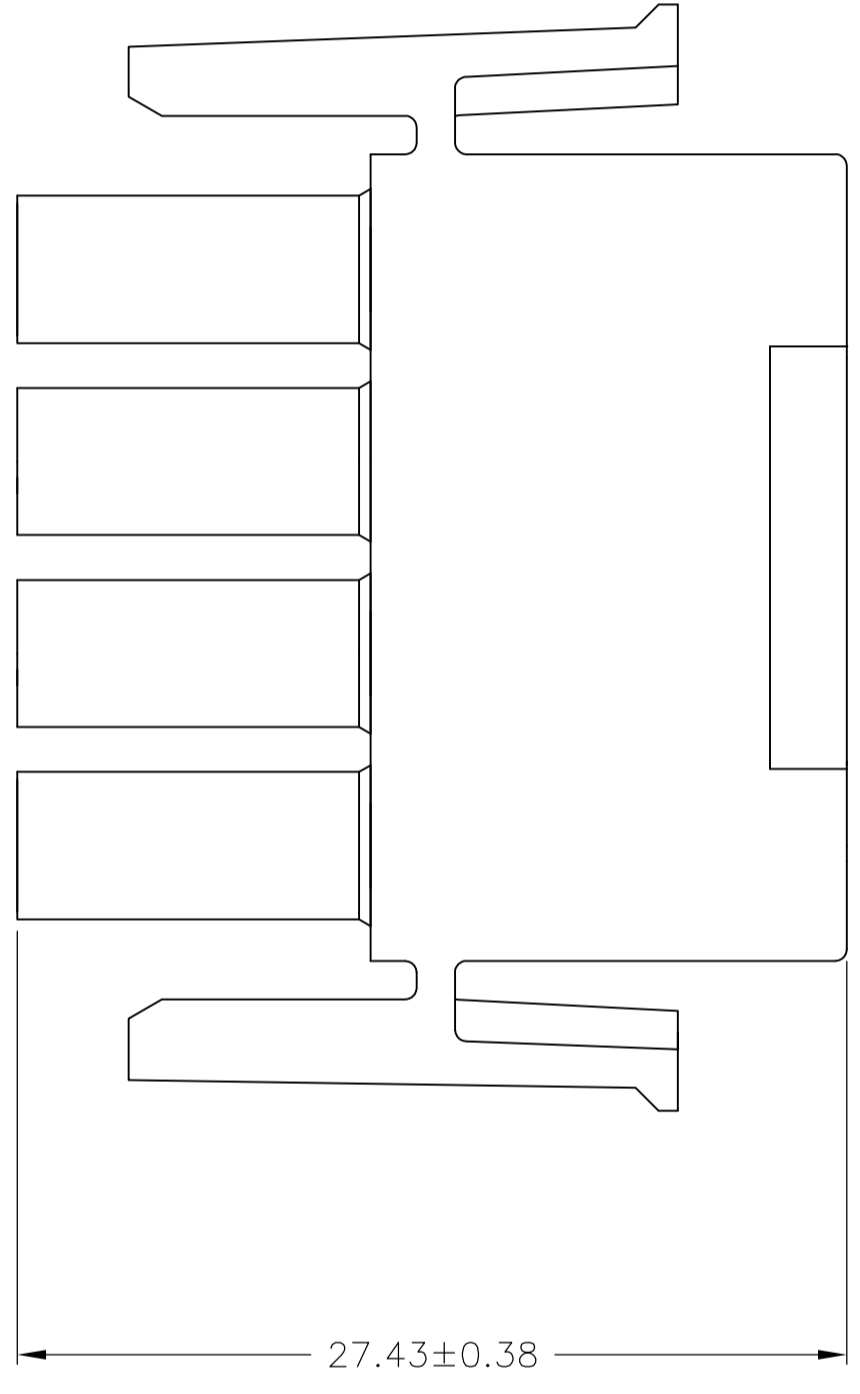
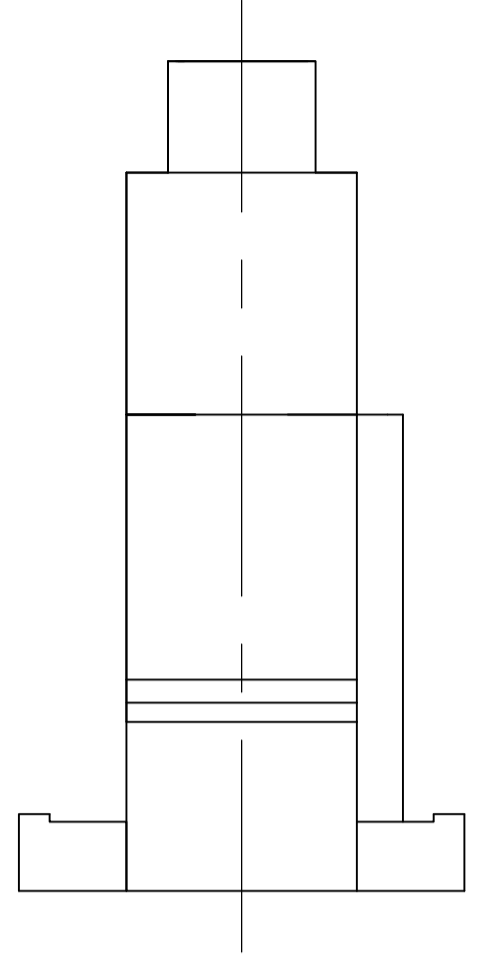
△ 8 OBSOLETE	BLACK	1-480702-9
	-GRAY	1-480702-8
	BLUE	1-480702-6
	GREEN	1-480702-5
△ 8 SUPERSEDED BY 1-480700-0	YELLOW	1-480702-4
△ 8 OBSOLETE	ORANGE	1-480702-3
	RED	1-480702-2
	BROWN	1-480702-1
	NATURAL	1-480702-0
	COLOR	PART NUMBER

THIS DRAWING IS A CONTROLLED DOCUMENT.

DIMENSIONS:	TOLERANCES UNLESS OTHERWISE SPECIFIED:	DIN R VESTAL 08FEB95	STE	TE Connectivity
mm	0. PLC ± -	CHK R SWING 08FEB95		
	1. PLC ± -	APVD D SELF 08FEB95		
	2. PLC ± 0.13	NAME		PLUG, 4 CIRCUIT, UNIVERSAL MATE-N-LOK(TM)
	3. PLC ± -	PRODUCT SPEC		
	4. PLC ± -	APPLICATION SPEC		
	ANGLES ± 0°30'	SIZE	CAGE CODE	DRAWING NO
		WEIGHT	A1	00779
MATERIAL NYLON, UL 94V-2	FINISH -	CUSTOMER DRAWING	SCALE 4:1	SHEET 1 OF 2
				REV AP3

LOC	DIST	REVISIONS			
CM	0	REV	DESCRIPTION	DATE	BY
-	-	1	SEE SHEET 1	-	-

- NOTES:
1. STAMP NUMBERS 3.18 HIGH AT WIRE END OF HOUSING (12 POINT DAVID TYPE).
 2. CHARACTERS TO BE POSITIONED ON HOUSING TO BE READ FROM WIRE END ONLY.
 3. VIOLET, BLACK, BROWN AND BLUE COLORED BLOCKS TO BE STAMPED WITH WHITE CHARACTERS. ALL OTHER COLORED BLOCKS TO BE STAMPED WITH BLACK CHARACTERS.



6.73	.265	-	-
5.97	.235	-	-
3.18	.125	27.43	1.080
0.38	.015	26.67	1.050
0.25	.010	14.73	.580
0.13	.005	7.62	.300
MM	IN	MM	IN

CONVERSION TABLE

NATURAL COLOR	2-480702-0
	PART NUMBER

THIS DRAWING IS A CONTROLLED DOCUMENT.

DIN R VESTAL 08FEB95	APPROVED	NAME	PLUG, 4 CIRCUIT, UNIVERSAL MATE-N-LOK(TM)
CHK R SWING 08FEB95	DATE	SIZE	A1
APPROVED D SELF 08FEB95	DESCRIPTION	CAGE CODE	480702
PRODUCT SPEC	APPLICATION SPEC	DRAWING NO	480702
WEIGHT	RESTRICTED TO	SCALE	4:1
CUSTOMER DRAWING	SHEET	OF	2
	REV		AP3

单击下面可查看定价，库存，交付和生命周期等信息

[>>TE Connectivity\(泰科\)](#)