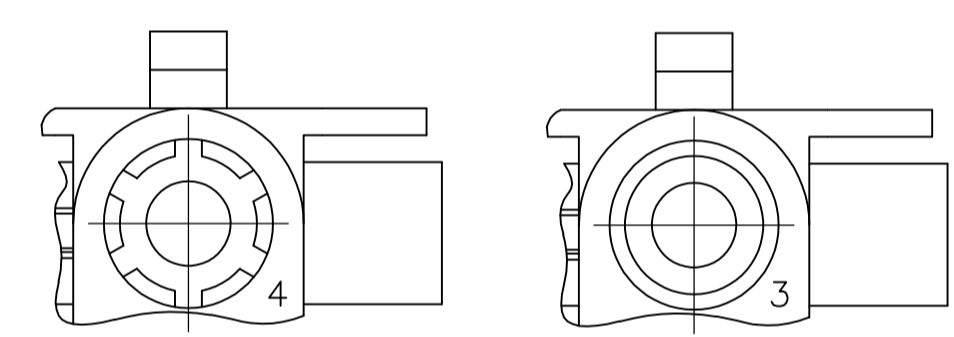
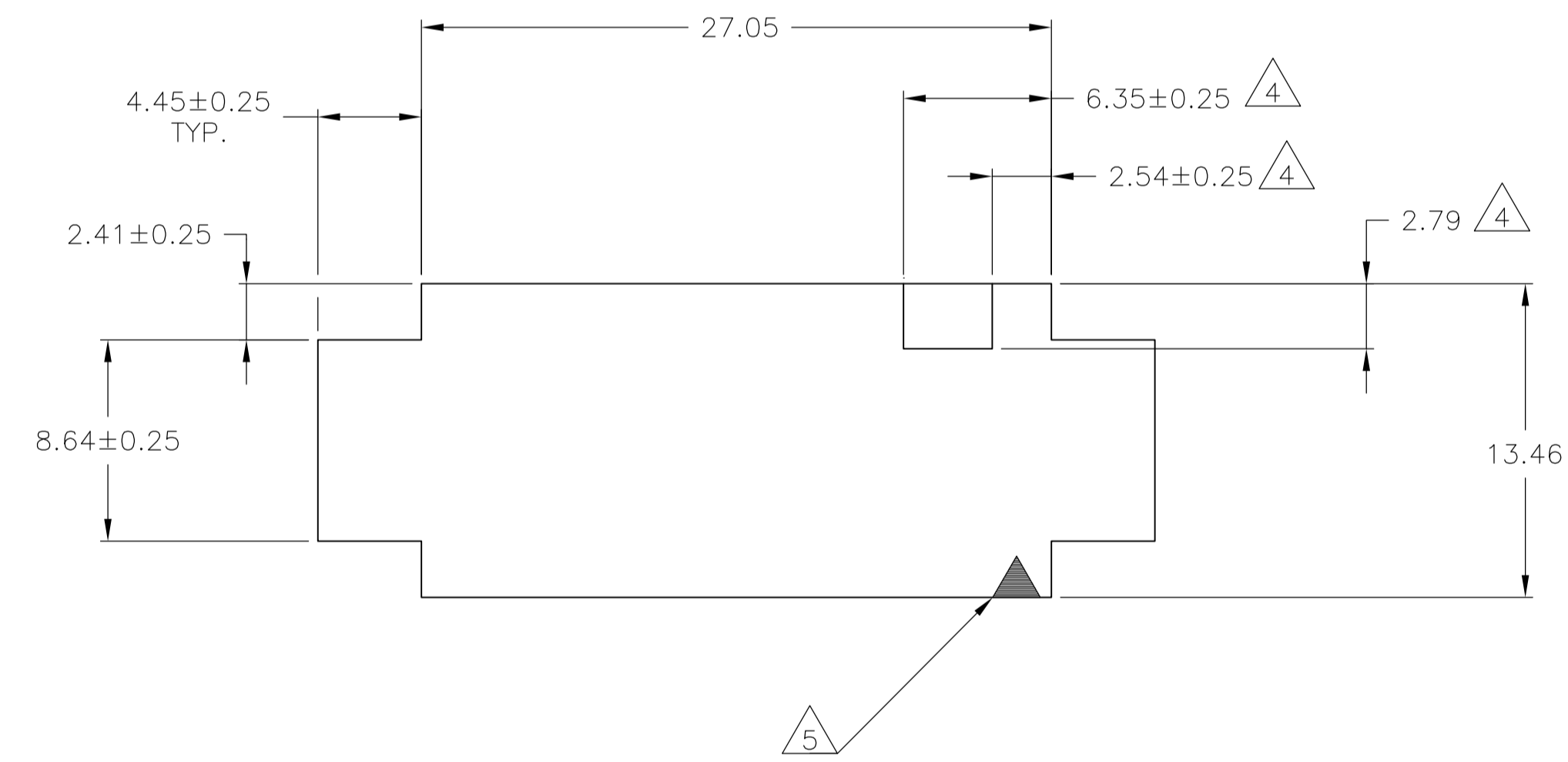
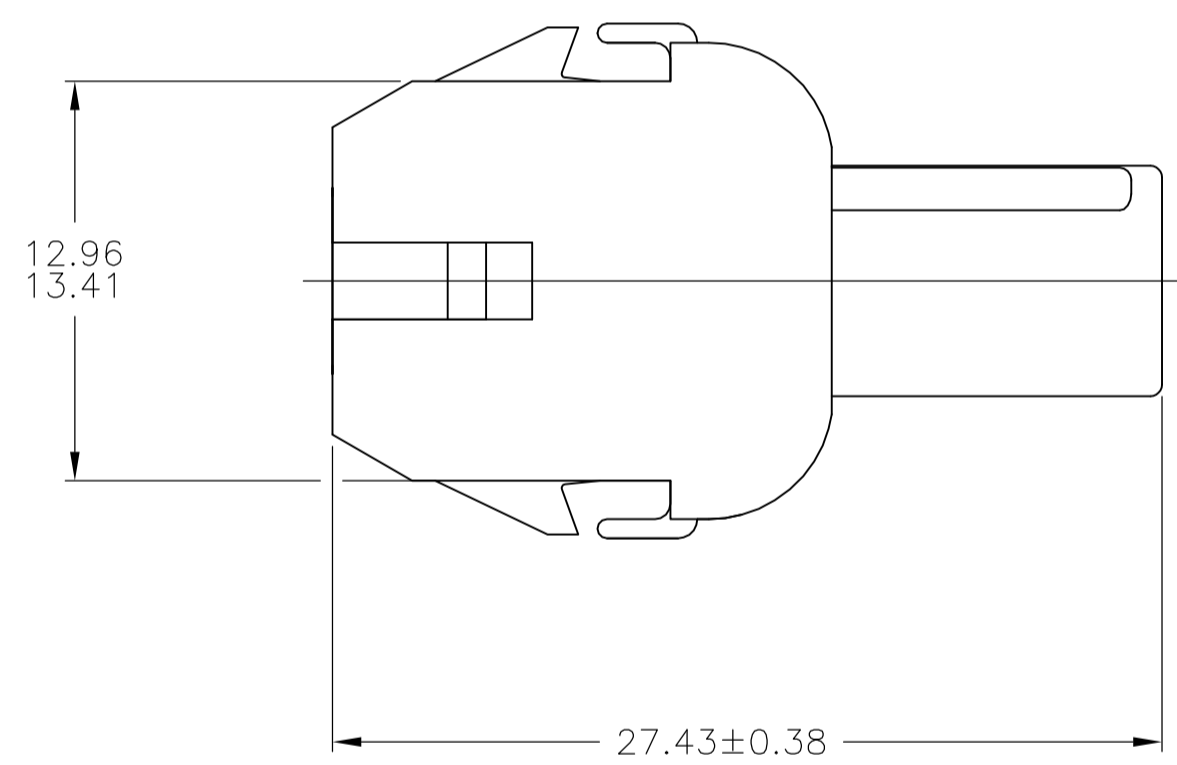


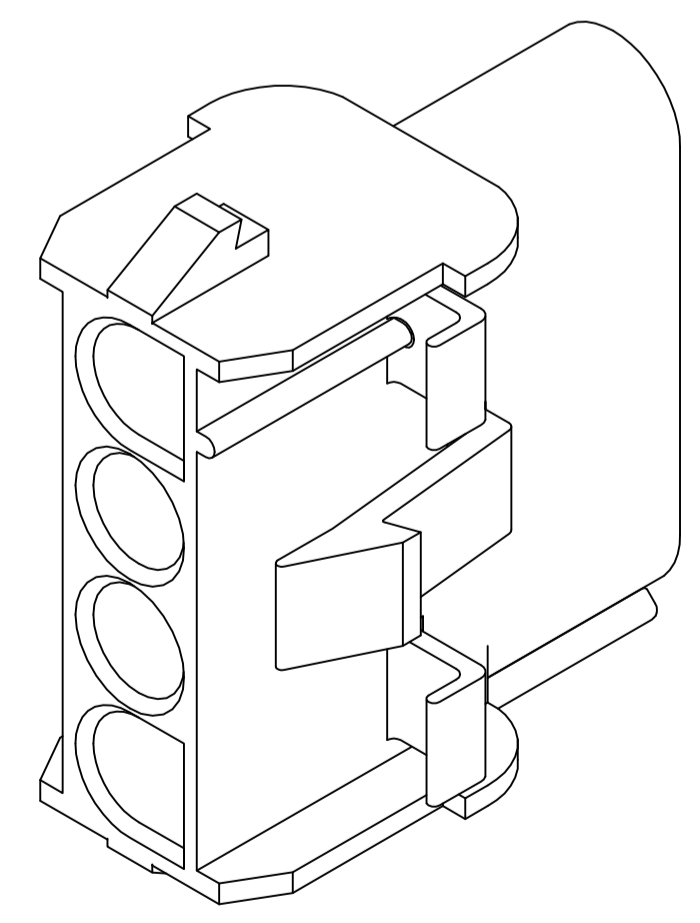
- MATES WITH APPROPRIATE UNIVERSAL MATE-N-LOK™ PLUG.
- RECOMMENDED PANEL THICKNESS 0.76 - 2.29.
- PANEL MUST BE PUNCHED SO THAT THE HOUSING ENTERS THE PANEL IN THE SAME DIRECTION AS THE PUNCH.
- OPTIONAL FOR KEYING HOUSING IN PANEL.
- CIRCUIT NUMBER 1 LOCATION.
- DIMENSIONS SHOWN REPRESENT PRODUCT IN DRY, AS MOLDED, CONDITION. ADDITIONAL 2% GROWTH DUE TO SUBSEQUENT MOISTURE ABSORPTION MAY OCCUR AND SHOULD BE ACCOUNTED FOR.
- FOUR RIBS EQUALLY SPACED, NO SPECIFIC ORIENTATION. NO RIBS OR SIX RIBS EQUALLY SPACED, NO SPECIFIC ORIENTATION, OPTIONAL.
- UNDERWRITERS RECOGNIZED COMPONENT LOGO AND CSA CERTIFICATION LOGO TO BE LOCATED ONCE EACH ON SIDE OF HOUSING.
- MANUFACTURING LOCATION ID (OPTIONAL).
- TRADEMARK LOCATION (AMP OR TE CONNECTIVITY).
- OBsolete PARTS: OBSOLETE CIS STREAMLINING PER D.RENAUD/D.SINISI



DETAIL A  
OPTIONAL CONSTRUCTIONS



RECOMMENDED PANEL CUT OUT



3-DIMENSIONAL MODEL  
NTS

7.62	.300	27.43	1.080
6.35	.250	27.10	1.067
4.45	.175	27.05	1.065
2.79	.110	26.67	1.050
2.54	.100	13.46	.530
2.41	.095	13.41	.528
2.29	.090	12.96	.510
0.76	.030	8.64	.340
0.38	.015	8.13	.320
MM	IN	MM	IN

CONVERSION TABLE

11 OBSOLETE	BLACK	1-480703-9
	GRAY	1-480703-8
	BLUE	1-480703-6
	GREEN	1-480703-5
	YELLOW	1-480703-4
	ORANGE	1-480703-3
	RED	1-480703-2
	BROWN	1-480703-1
	NATURAL	1-480703-0
	COLOR	PART NO

THIS DRAWING IS A CONTROLLED DOCUMENT.

DIMENSIONS:	TOLERANCES UNLESS OTHERWISE SPECIFIED:	DIN	K. WHITAKER	28JUL04
mm	0. PLC ± -	CHK	S. RIDGILL	28JUL04
	1. PLC ± -	APVD	S. RIDGILL	28JUL04
	2. PLC ± 0.25	PRODUCT SPEC		
	3. PLC ± -	APPLICATION SPEC		
	4. PLC ± -	WEIGHT		
	ANGLES ± 0.30°	CUSTOMER DRAWING		

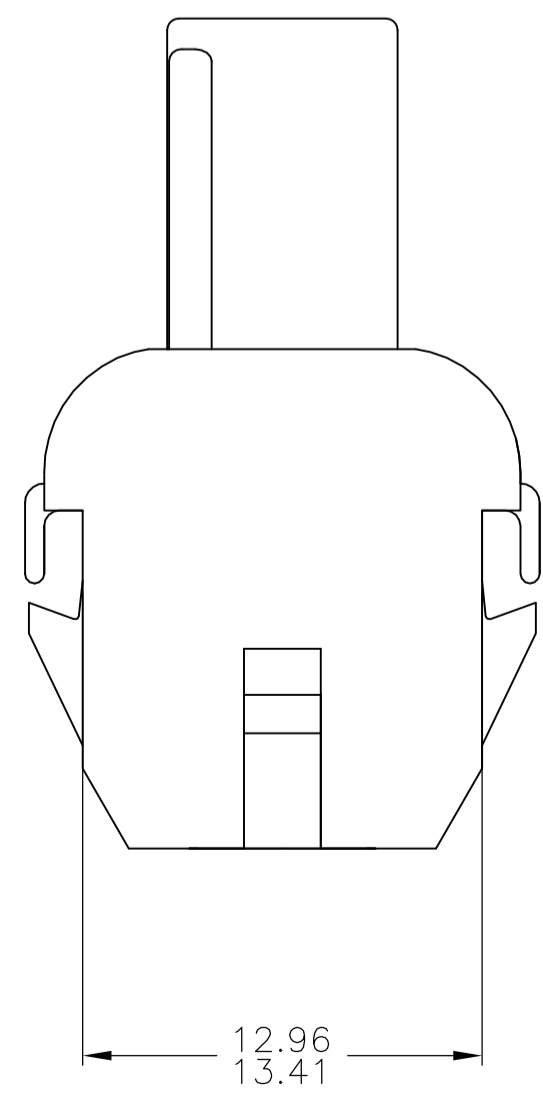
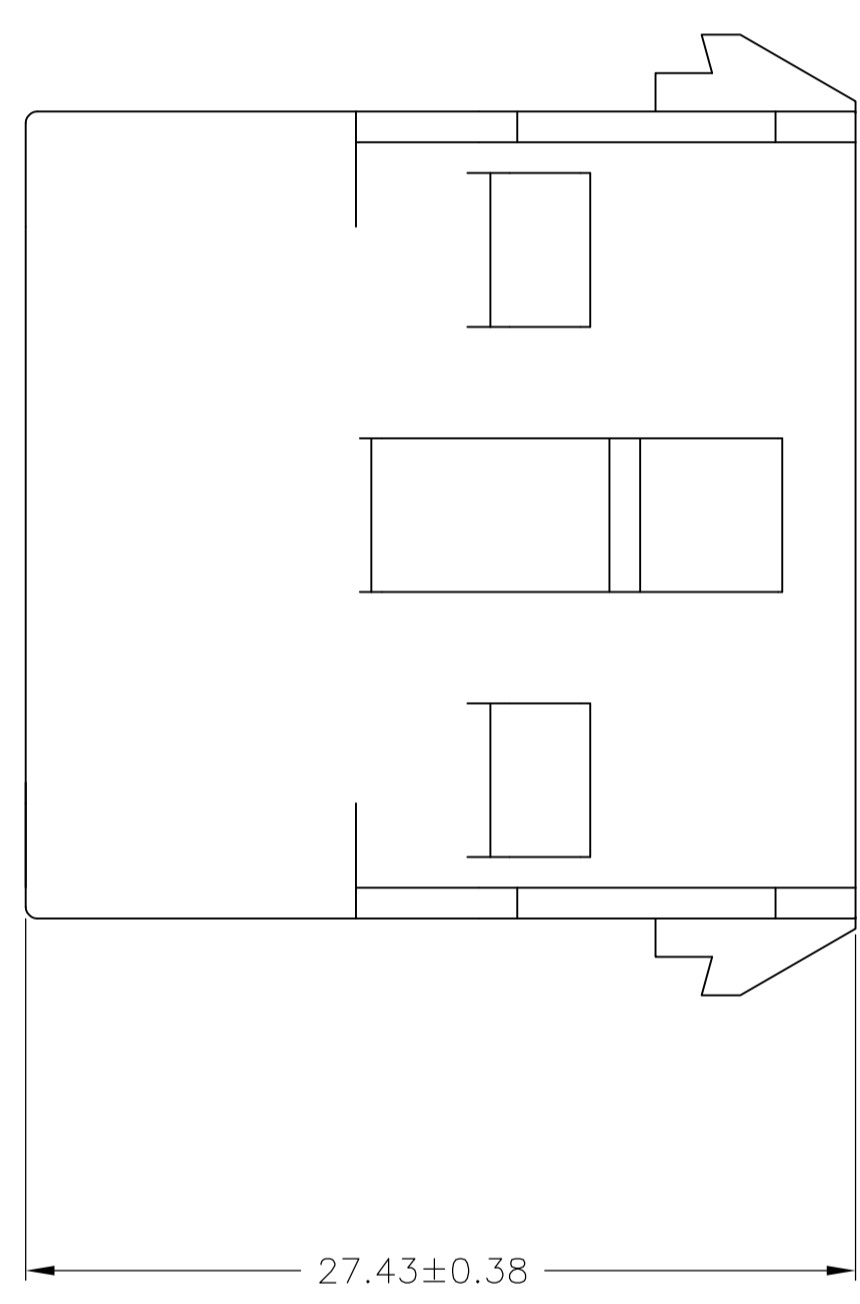
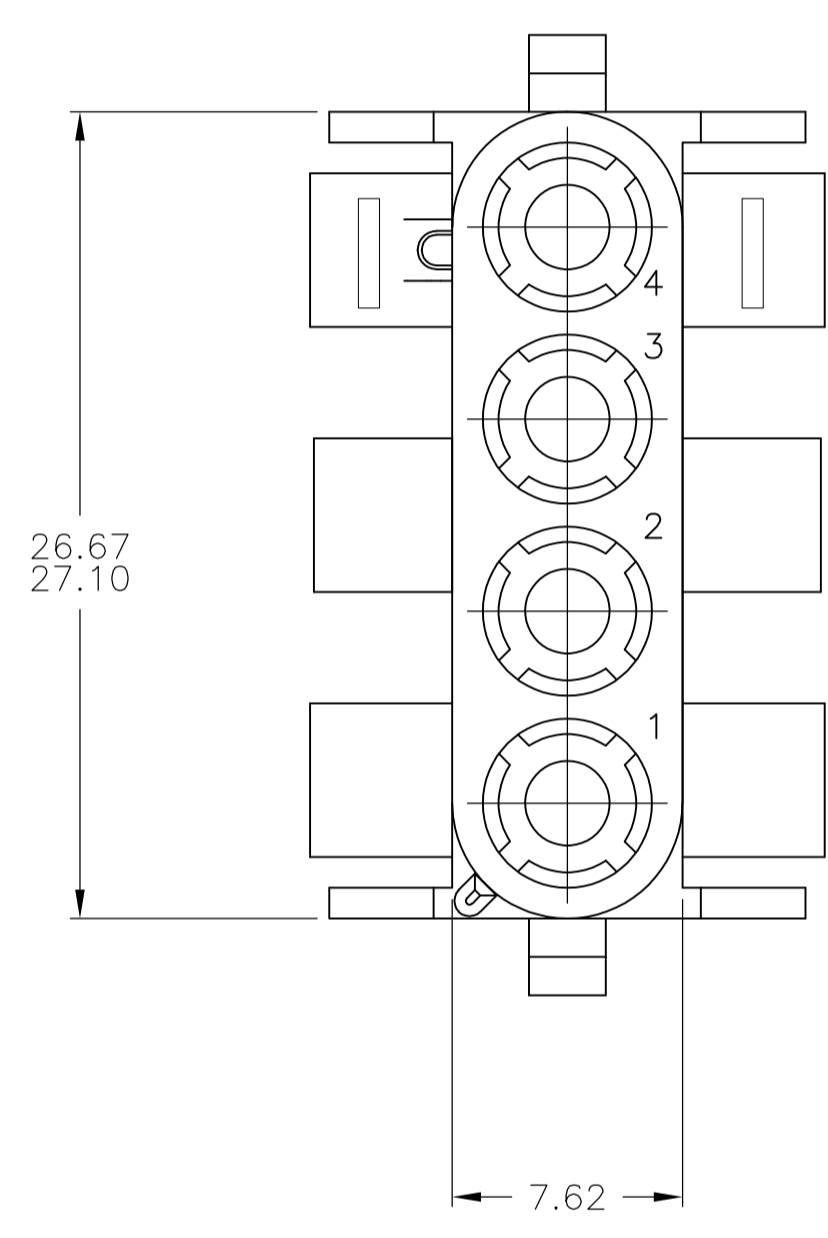
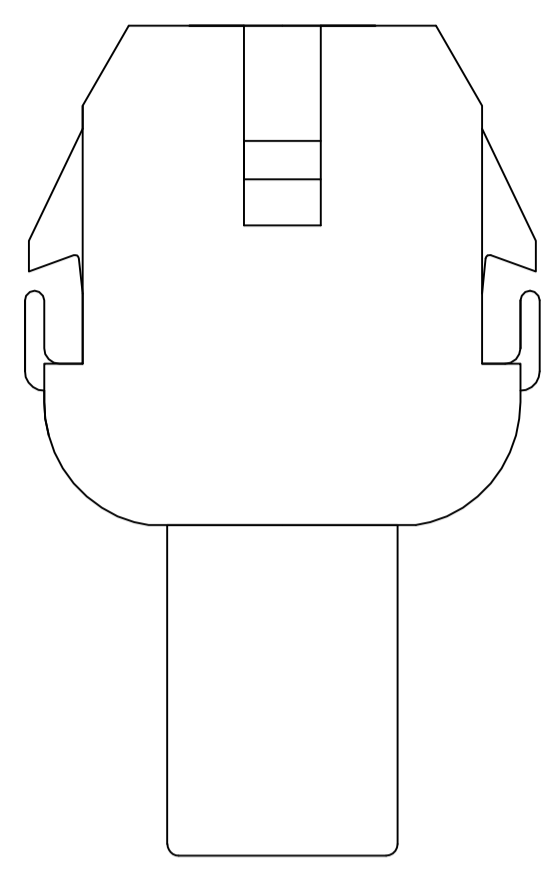
NYLON, UL94V-2

STE TE Connectivity

NAME: CAP, 4 CIRCUIT, UNIVERSAL MATE-N-LOK(TM)

SIZE: A1 CAGE CODE: 00779 DRAWING NO: 480703

SCALE: 4:1 SHEET 1 OF 2 REV: AM4



1. STAMP NUMBERS 3.18 HIGH AT WIRE END OF HOUSING (12 POINT DAVID TYPE).
2. CHARACTERS TO BE STAMPED ON HOUSING IN A MANNER AS TO BE READ FROM WIRE END ONLY.
3. VIOLET, BLACK, BROWN AND BLUE COLORED BLOCKS TO BE STAMPED WITH WHITE CHARACTERS. ALL OTHER COLORED BLOCKS TO BE STAMPED WITH BLACK CHARACTERS.

8.13	.320	-	-
7.62	.300	27.43	1.080
5.08	.200	27.10	1.067
4.70	.185	26.67	1.050
3.18	.125	13.41	.528
0.38	.015	12.96	.510
MM	IN	MM	IN

CONVERSION TABLE

NATURAL	2-480703-0
COLOR	PART NO

THIS DRAWING IS A CONTROLLED DOCUMENT.

DIN	K. WHITAKER	28JUL04
CHK	S. RIDGILL	28JUL04
APVD	S. RIDGILL	
PRODUCT SPEC		
APPLICATION SPEC		
SIZE	A1	
CAGE CODE	00779	
DRAWING NO	480703	
RESTRICTED TO		
MATERIAL	NYLON, UL94V-2	
FINISH		
WEIGHT		
CUSTOMER DRAWING		
SCALE	4:1	
SHEET	2	2
REV	AM4	

TE Connectivity

CAP, 4 CIRCUIT, UNIVERSAL MATE-N-LOK(TM)

单击下面可查看定价，库存，交付和生命周期等信息

[>>TE Connectivity\(泰科\)](#)