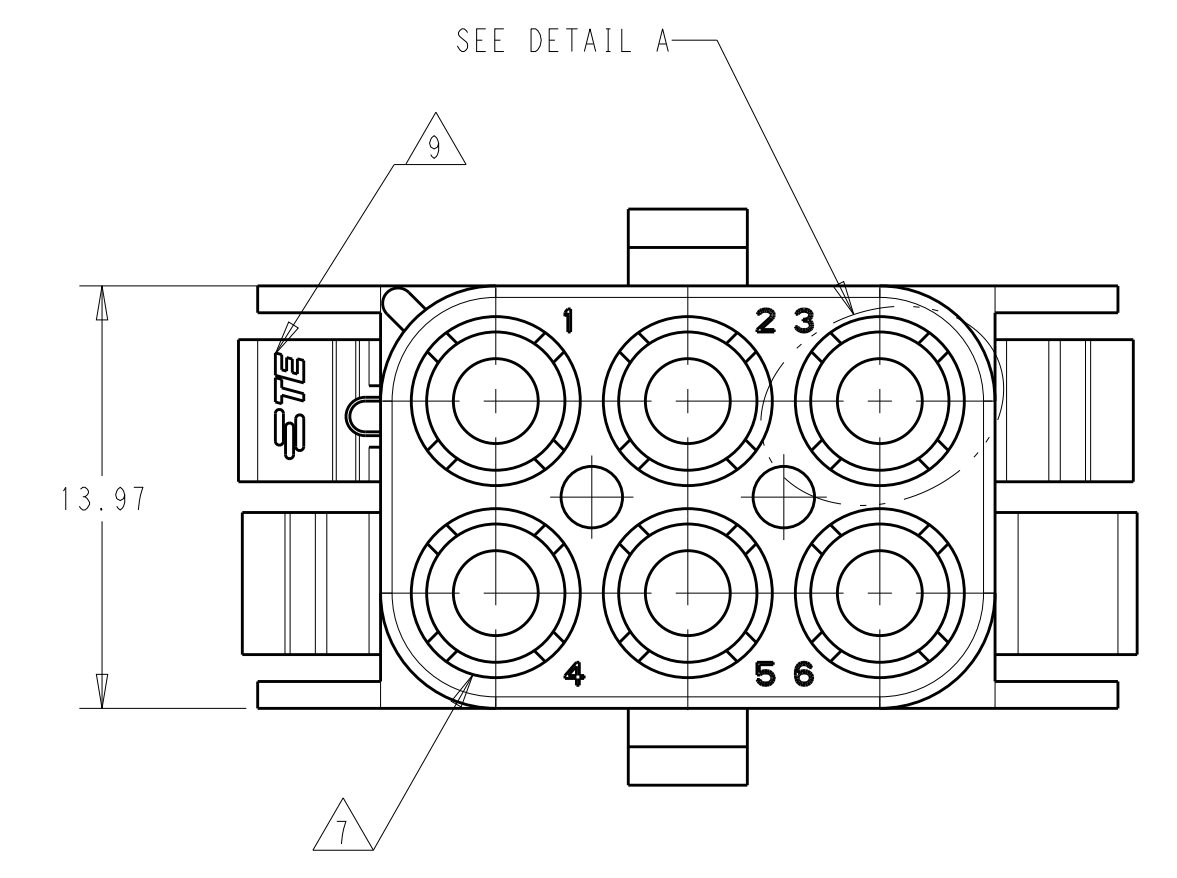
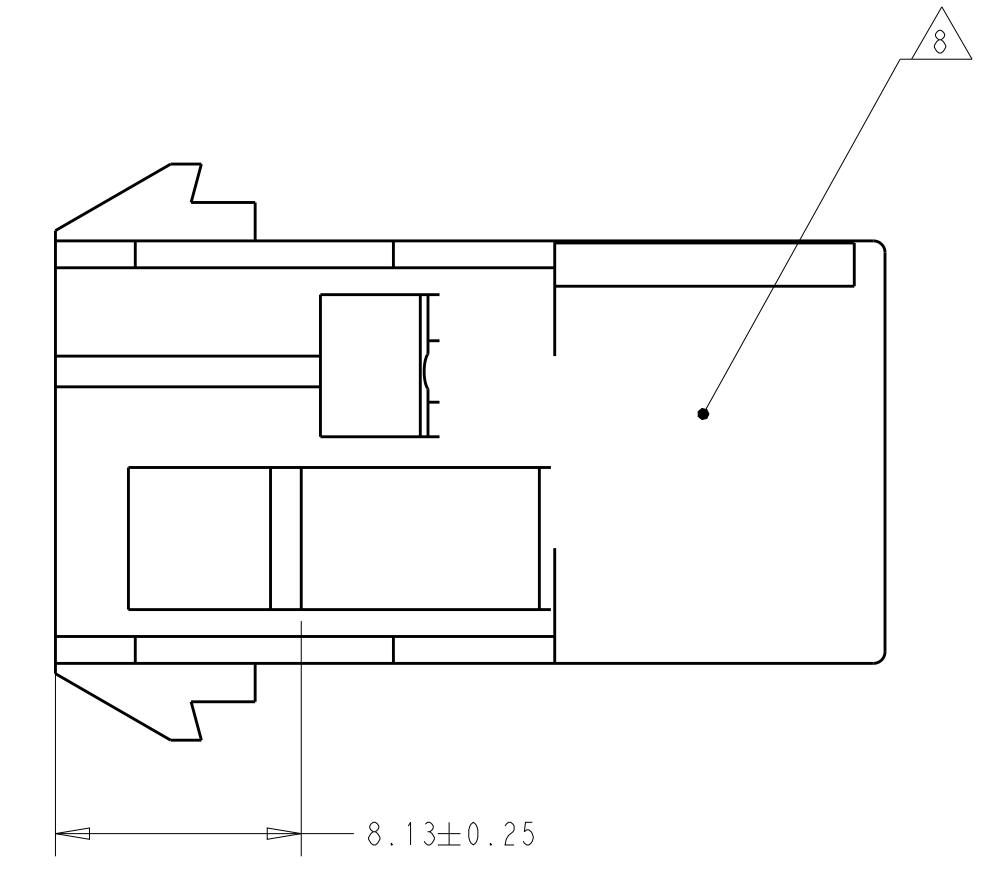
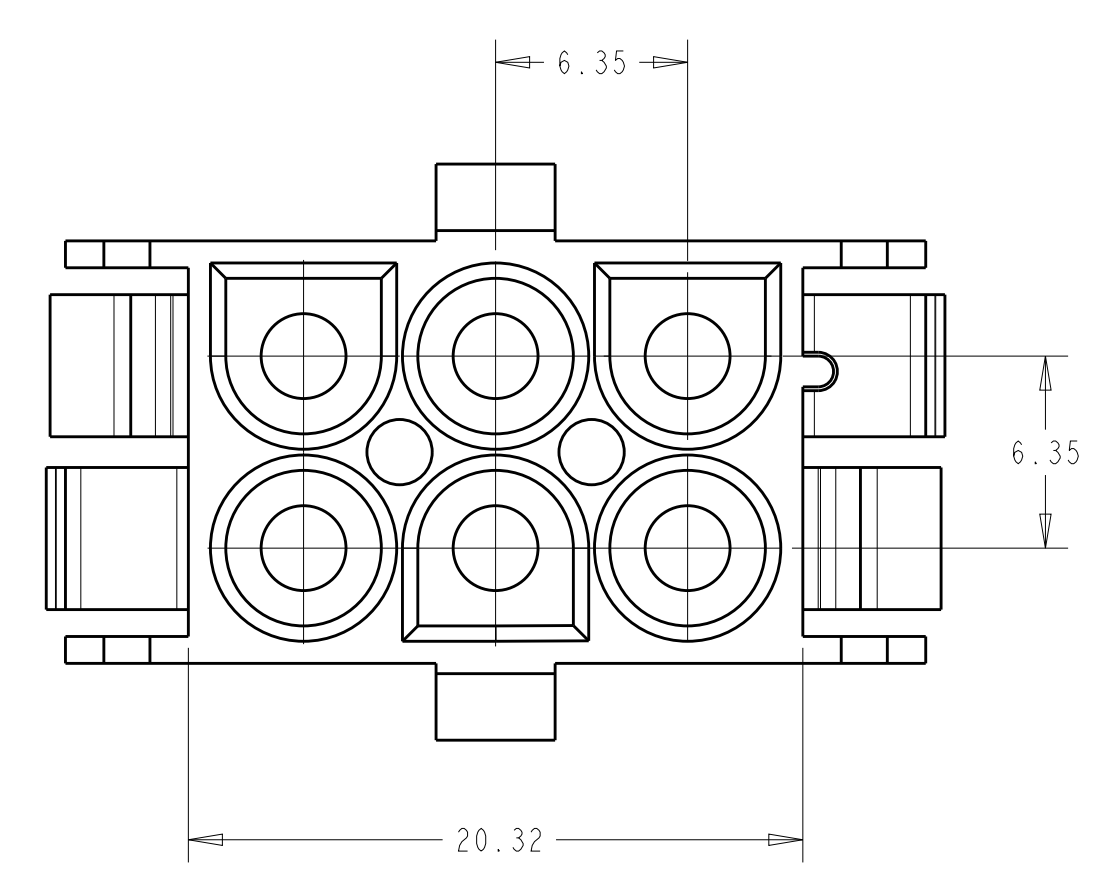
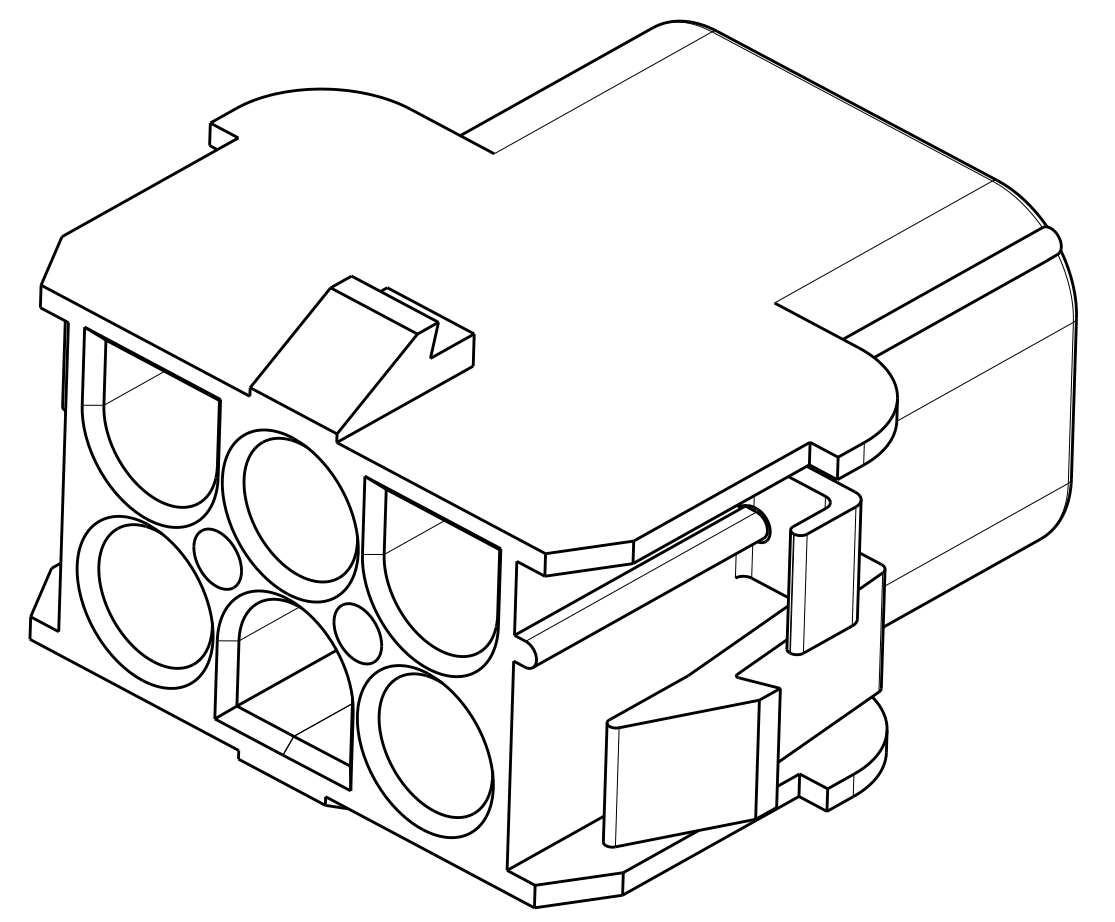
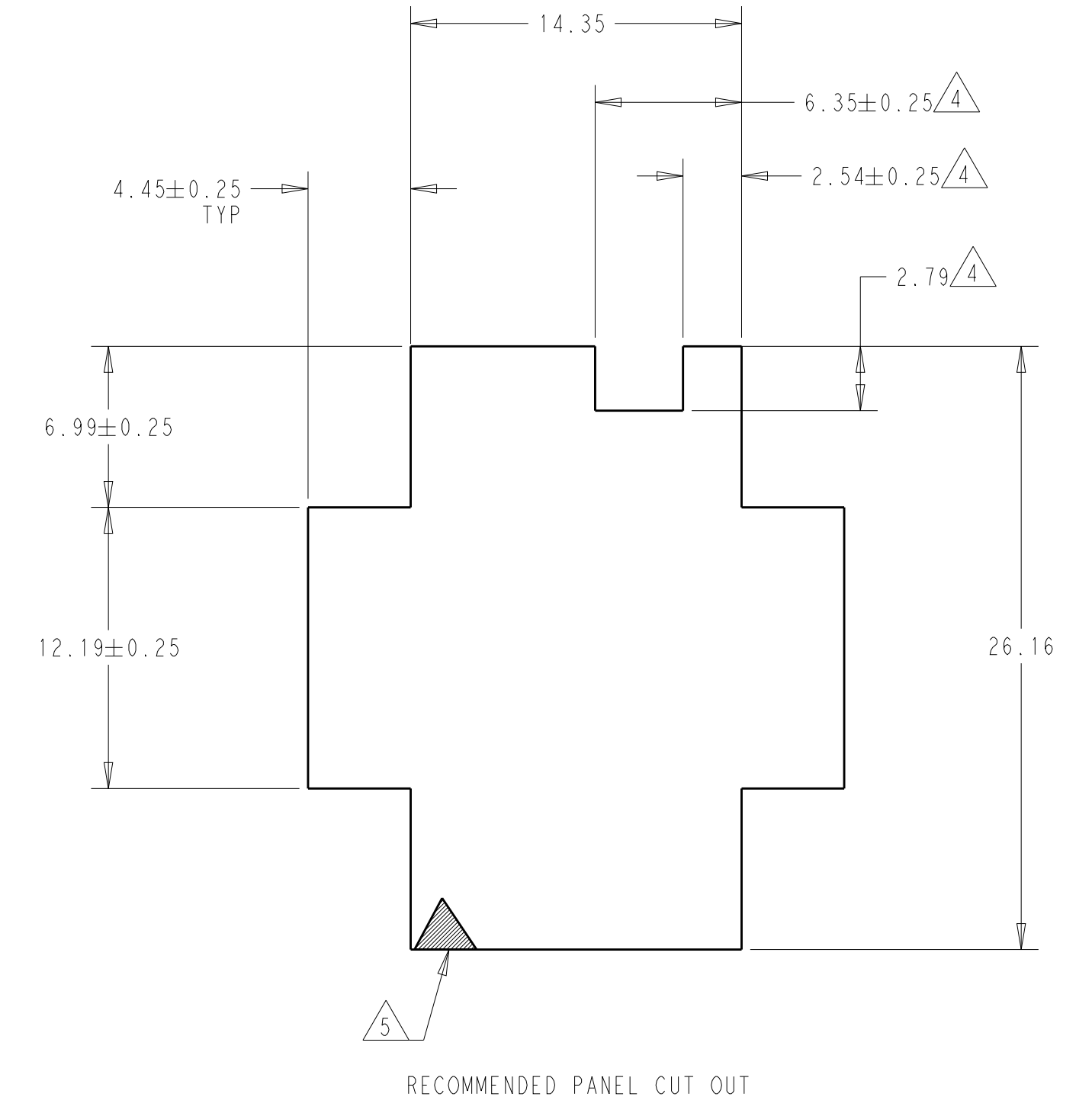
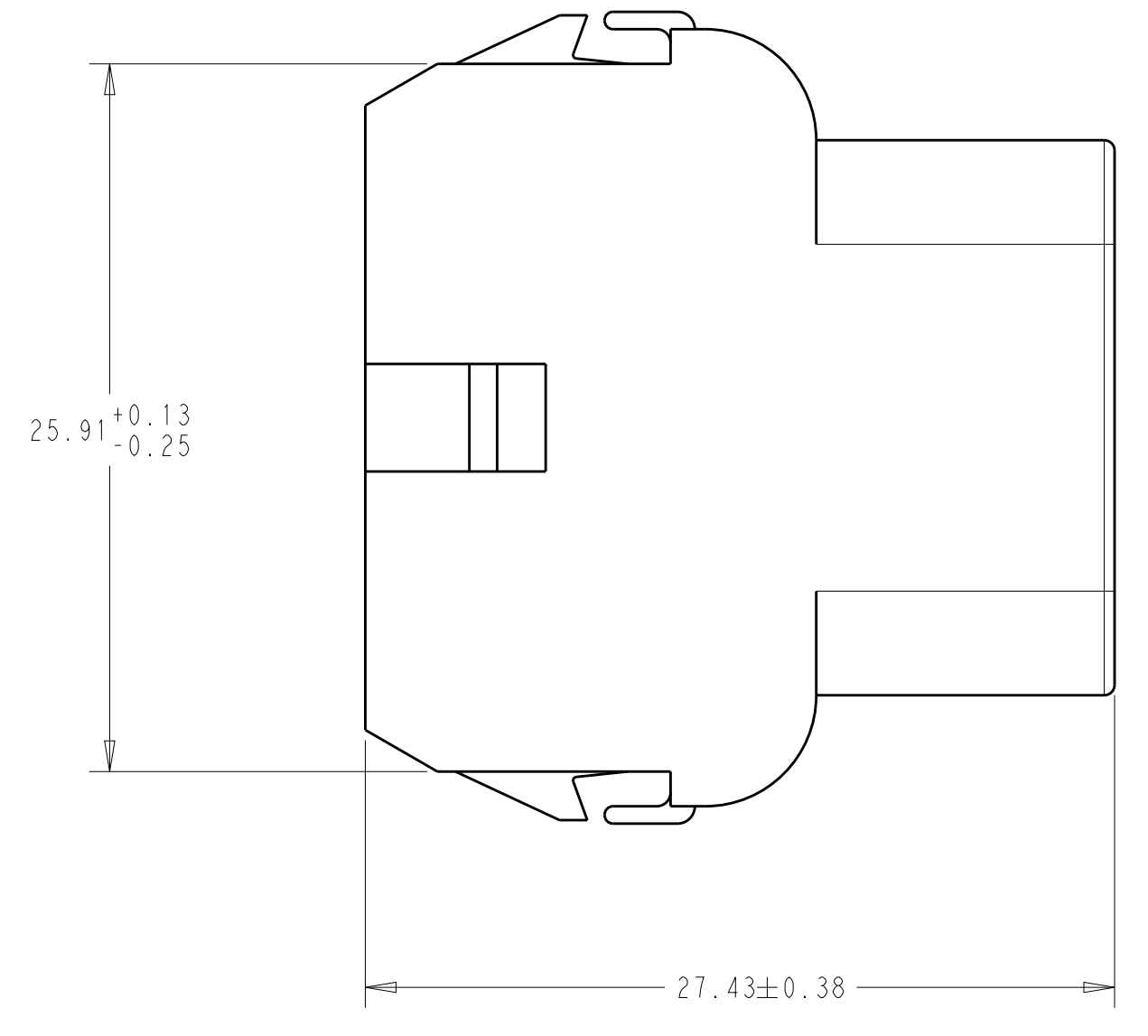
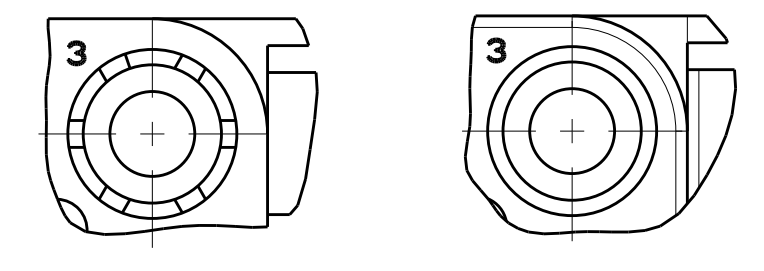


REVISIONS				
P	LTN	DESCRIPTION	DATE	APVD
AP5		REDRAWN PER ECO-19-005708	03MAY2019	BKW SF



1. MATES WITH APPROPRIATE UNIVERSAL MATE-N-LOCK™ PLUG
2. RECOMMENDED PANEL THICKNESS 0.76 - 2.29.
3. PANEL MUST BE PUNCHED SO THAT THE HOUSING ENTERS THE PANEL IN THE SAME DIRECTION AS THE PUNCH.
4. OPTIONAL FOR KEYING HOUSING IN PANEL.
5. CIRCUIT NUMBER 1 LOCATION.
6. DIMENSIONS SHOWN REPRESENT PRODUCT IN DRY, AS MOLDED, CONDITION. ADDITIONAL 2% GROWTH DUE TO SUBSEQUENT MOISTURE ABSORPTION MAY OCCUR AND SHOULD BE ACCOUNTED FOR.
7. FOUR RIBS EQUALLY SPACED, NO SPECIFIC ORIENTATION. NO RIBS OR SIX RIBS EQUALLY SPACED, NO SPECIFIC ORIENTATION, OPTIONAL.
8. UNDERWRITERS RECOGNIZED COMPONENT LOGO AND CSA CERTIFICATION LOGO TO BE LOCATED ONCE EACH ON SIDE OF HOUSING.
9. TRADEMARK LOCATION: AMP OR TE



	BLACK	1-480705-9
9	OBsolete	GRAY 1-480705-8
9	OBsolete	BLUE 1-480705-6
9	OBsolete	GREEN 1-480705-5
	YELLOW	1-480705-4
9	OBsolete	ORANGE 1-480705-3
	RED	1-480705-2
	BROWN	1-480705-1
	NATURAL	1-480705-0
	COLOR	PART NUMBER

THIS DRAWING IS A CONTROLLED DOCUMENT.

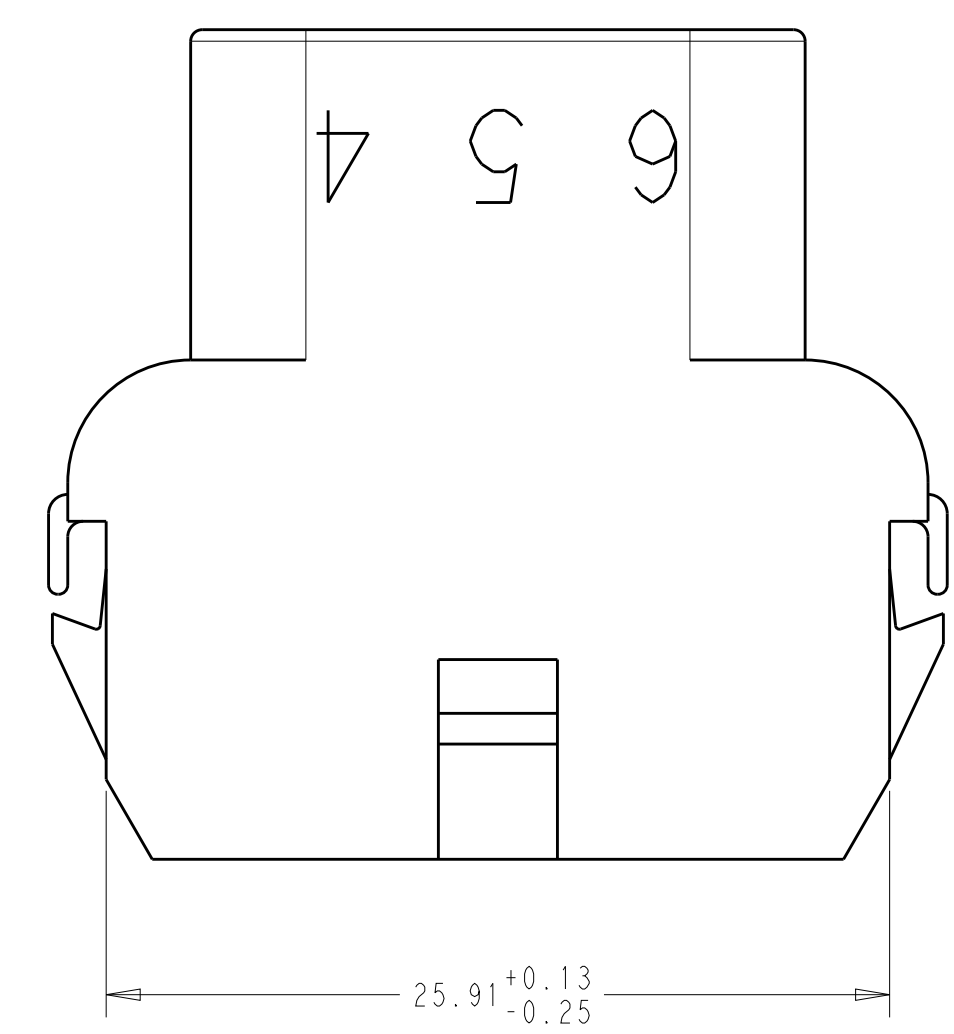
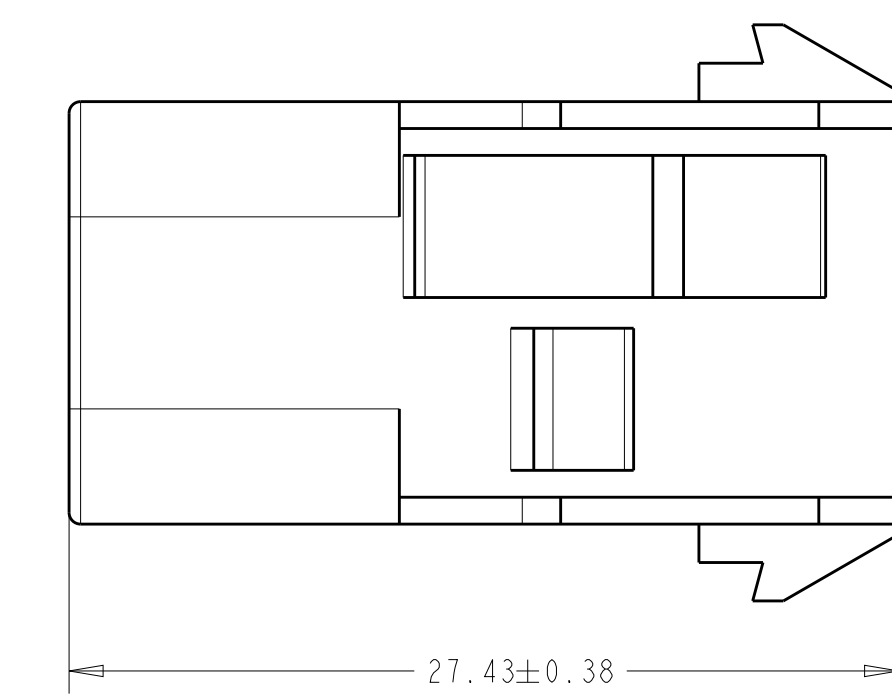
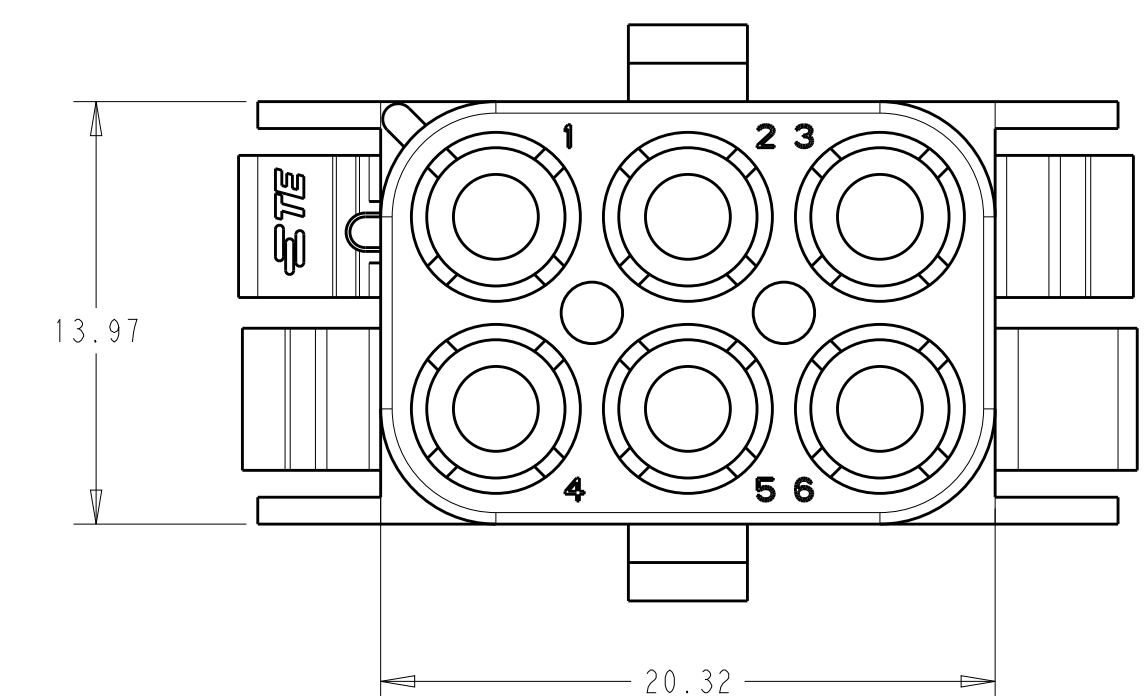
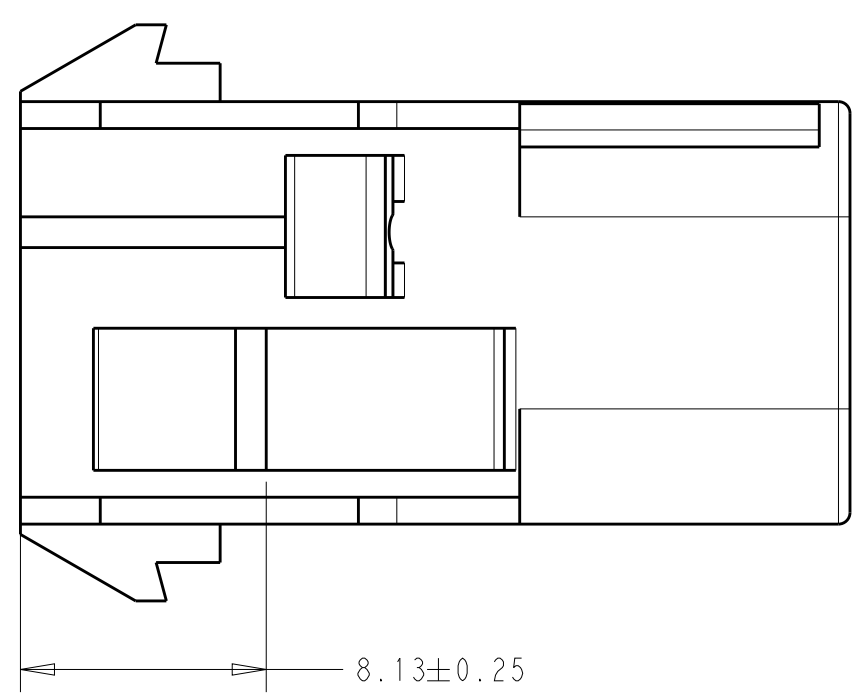
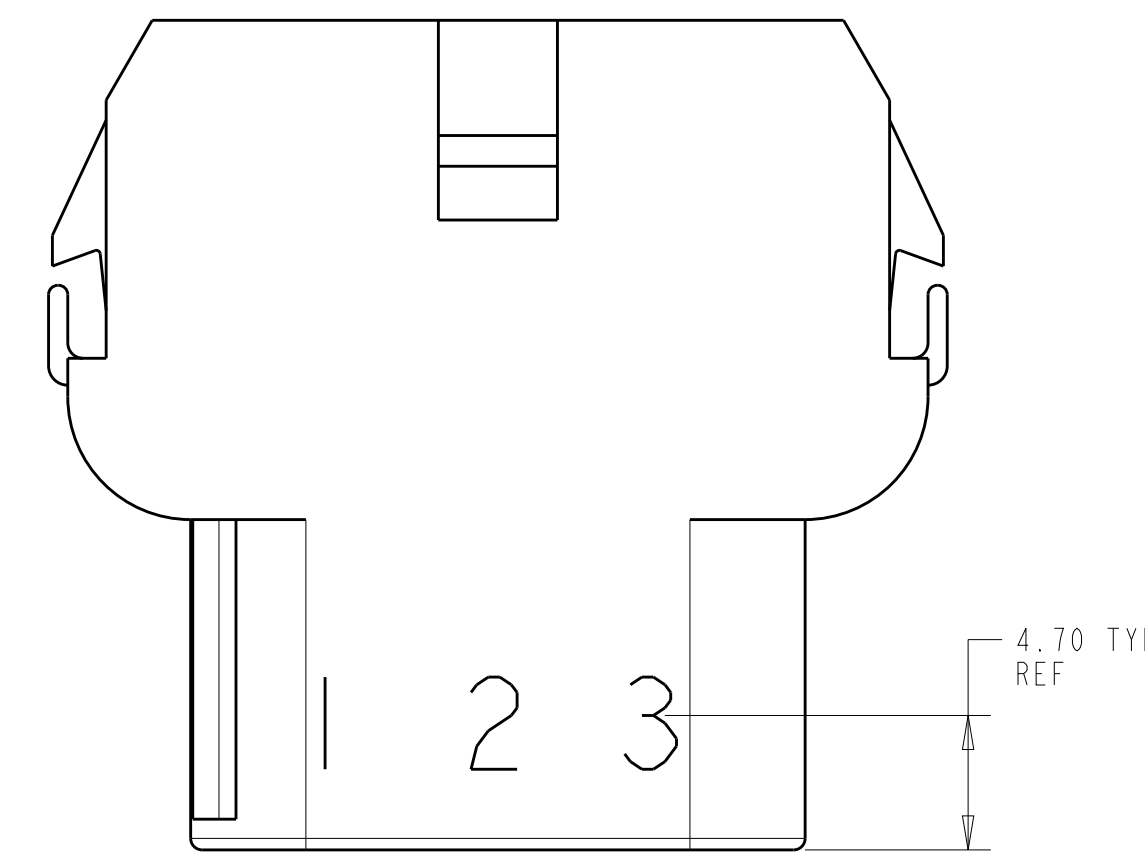
DIMENSIONS:	TOLERANCES UNLESS OTHERWISE SPECIFIED:	OWN: B. WEAVER 03MAY2019	NAME: CAP, 6 CIRCUIT, UNIVERSAL MATE-N-LOCK
mm	0 PLC ±	CHK: S. FERNANDES 03MAY2019	PRODUCT SPEC: -
	1 PLC ±0.13	APVD: T. BENCHOFF 03MAY2019	APPLICATION SPEC: -
	2 PLC ±		SIZE: -
	3 PLC ±		CAGE CODE: -
	4 PLC ±		DRAWING NO: A100779
	ANGLES ±0°30'		RESTRICTED TO: -
MATERIAL: NYLON UL 94V-2	FINISH: -	WEIGHT: -	SCALE: 4:1
		CUSTOMER DRAWING	SHEET 1 OF 2

TE Connectivity

SCALE: 4:1 SHEET 1 OF 2 REV AP5

REVISIONS				
P.	LTN	DESCRIPTION	DATE	APVD
-	-	SEE SHEET 1	-	-

1. STAMP NUMBERS 3.18 HIGH AT WIRE END OF HOUSING (12 POINT DAVID TYPE); CLARIFICATION MARKS UNDER THE 6 & 9.
2. CHARACTERS TO BE STAMPED ON HOUSING IN A MANNER AS TO BE READ FROM WIRE END ONLY.
3. VIOLET, BLACK, BROWN, AND BLUE COLORED BLOCKS TO BE STAMPED WITH WHITE CHARACTERS. ALL OTHER COLORED BLOCKS TO BE STAMPED WITH BLACK CHARACTERS.



NATURAL	2-480705-0
COLOR	PART NUMBER

THIS DRAWING IS A CONTROLLED DOCUMENT.		DWN: B. WEAVER 03MAY2019	 TE Connectivity	NAME: CAP, 6 CIRCUIT, UNIVERSAL MATE-N-LOK		
DIMENSIONS:		CHK: S. FERNANDES 03MAY2019		PRODUCT SPEC:	-	
TOLERANCES UNLESS OTHERWISE SPECIFIED:		APVD: T. BENOIST 03MAY2019		APPLICATION SPEC:	-	
mm				FINISH:	-	
0 PLC	±		WEIGHT:	-		
1 PLC	±		CUSTOMER DRAWING	-		
2 PLC	±0.13		SCALE: 4:1	SHEET: 2 OF 2	REV: AP5	
3 PLC	±					
4 PLC	±					
ANGLES	±0°30'					
MATERIAL: NYLON UL 94V-2						

单击下面可查看定价，库存，交付和生命周期等信息

[>>TE Connectivity\(泰科\)](#)