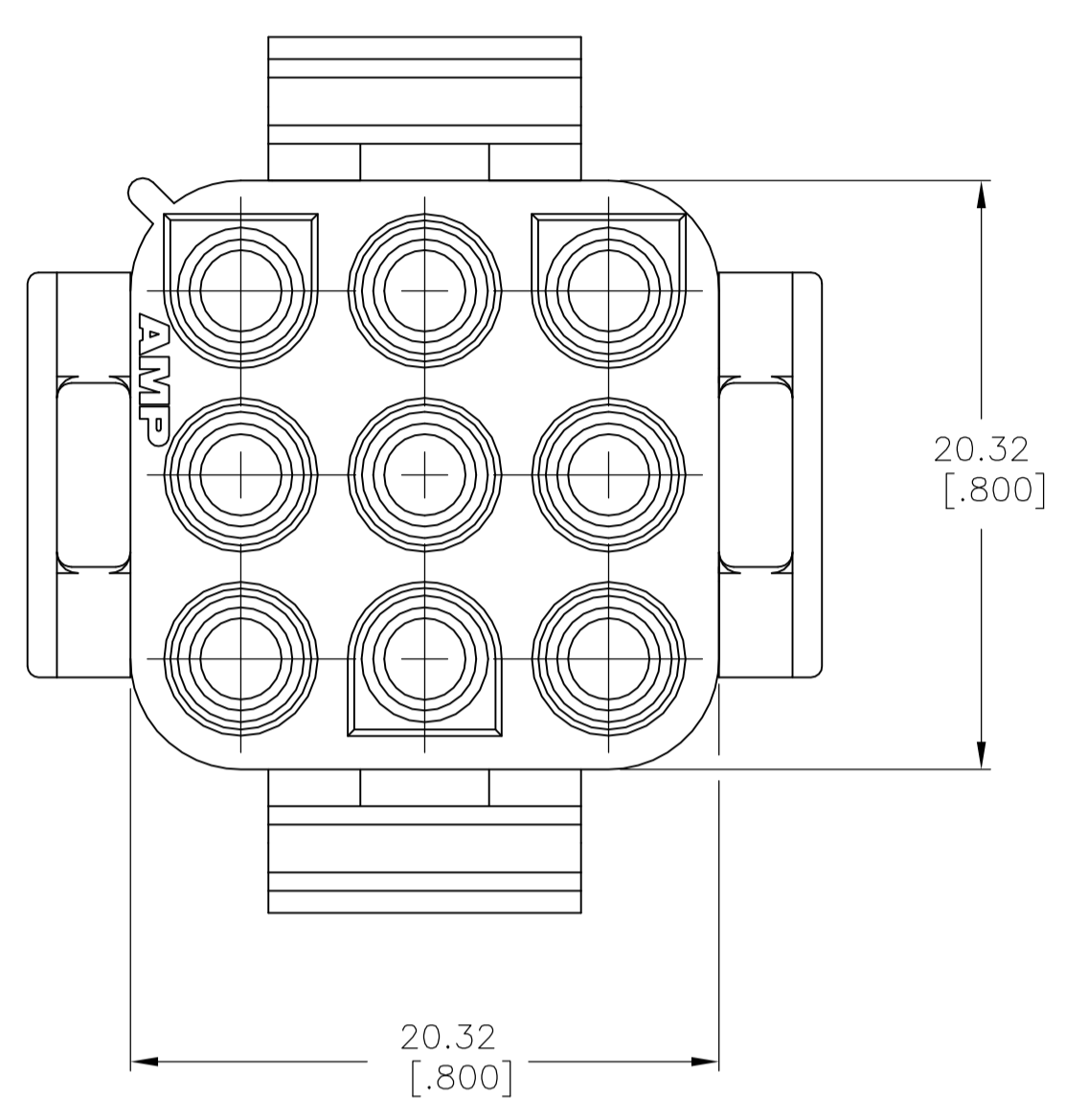
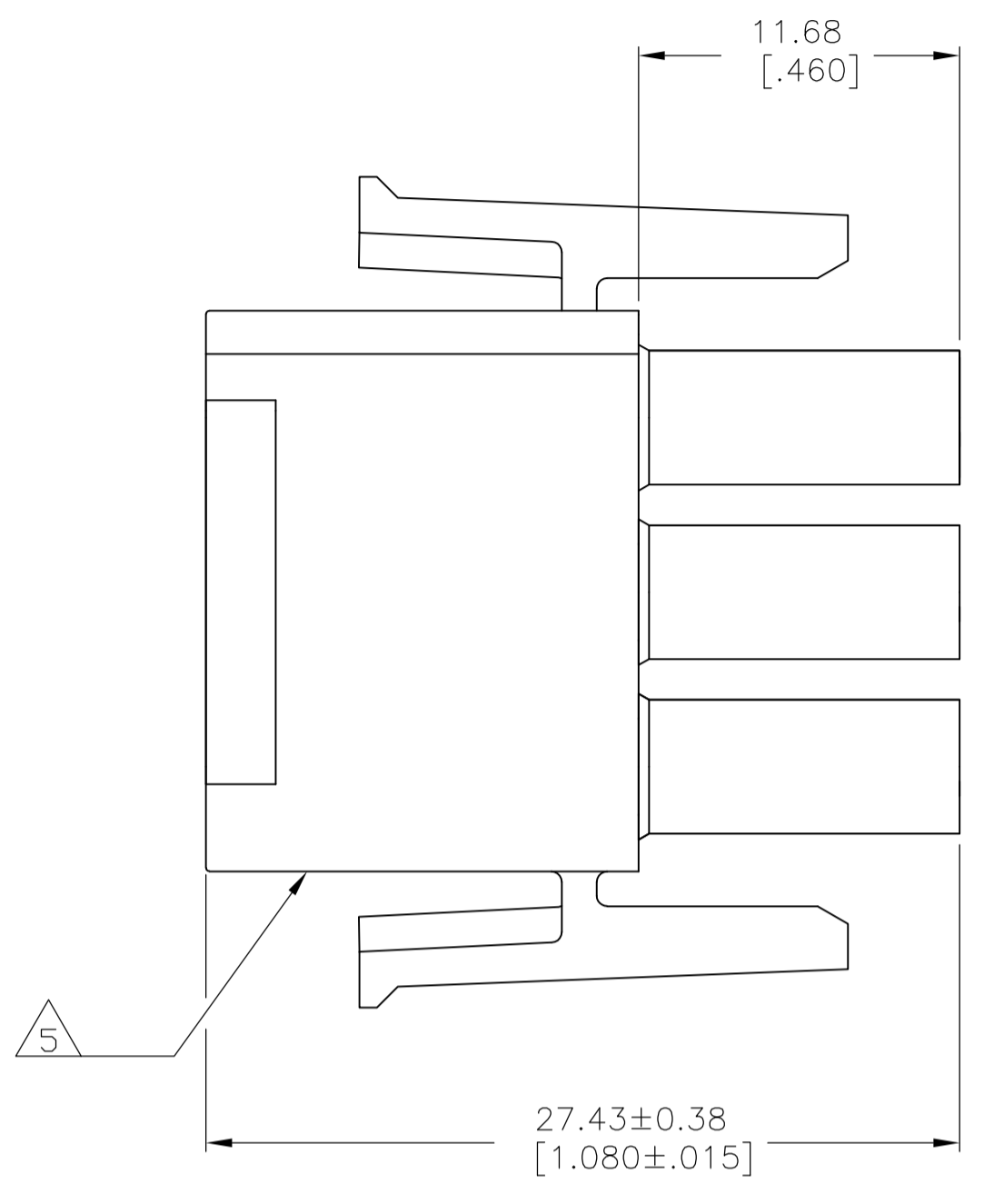
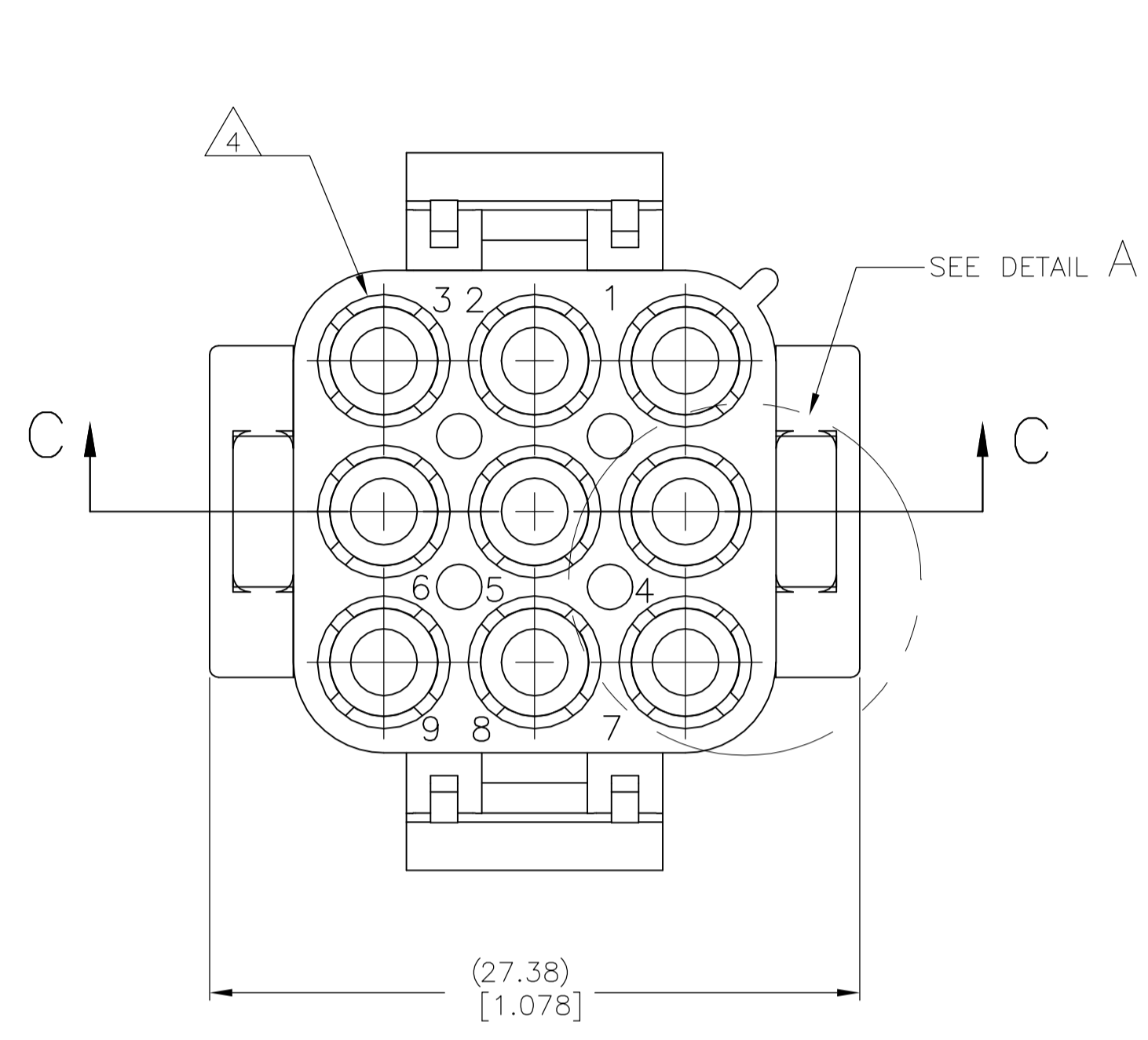
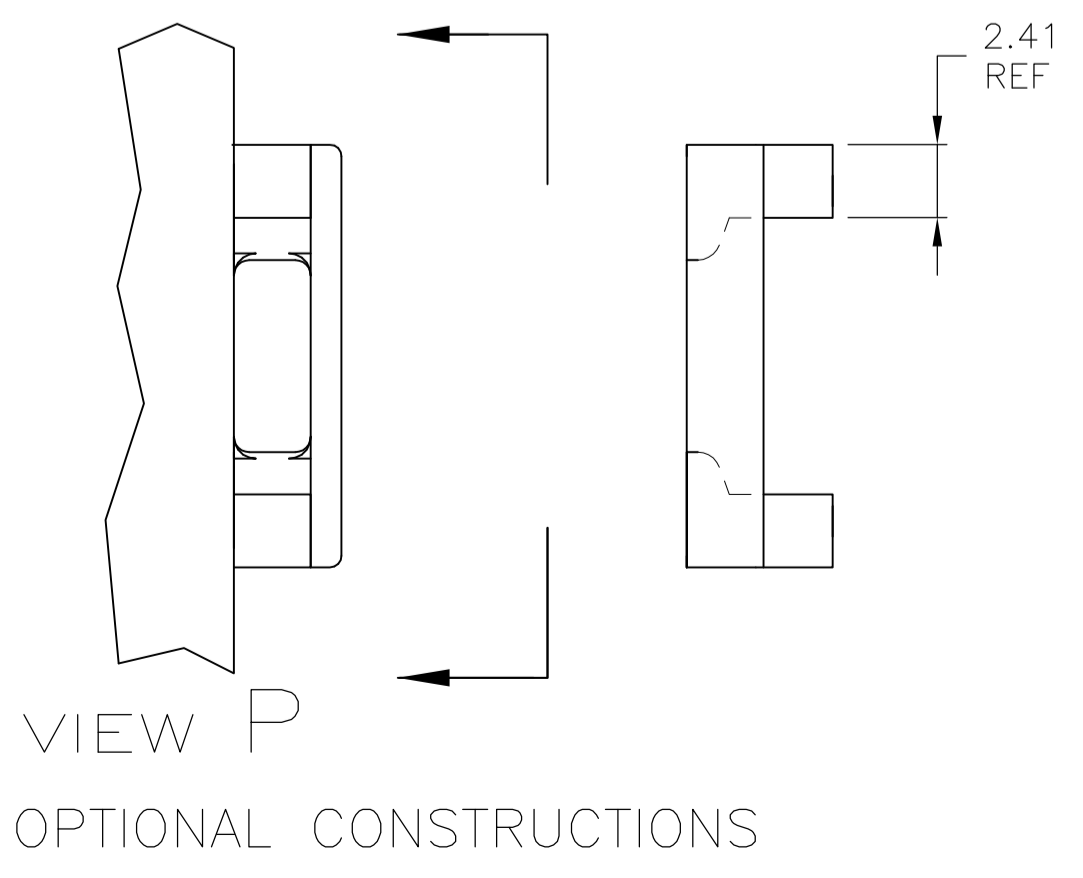
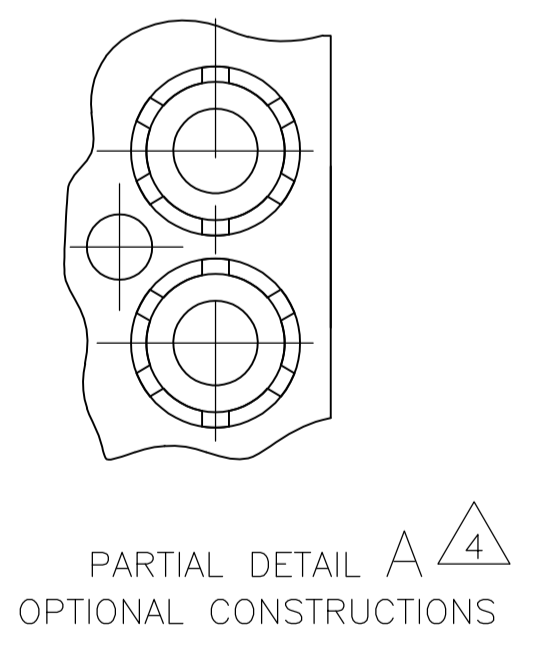
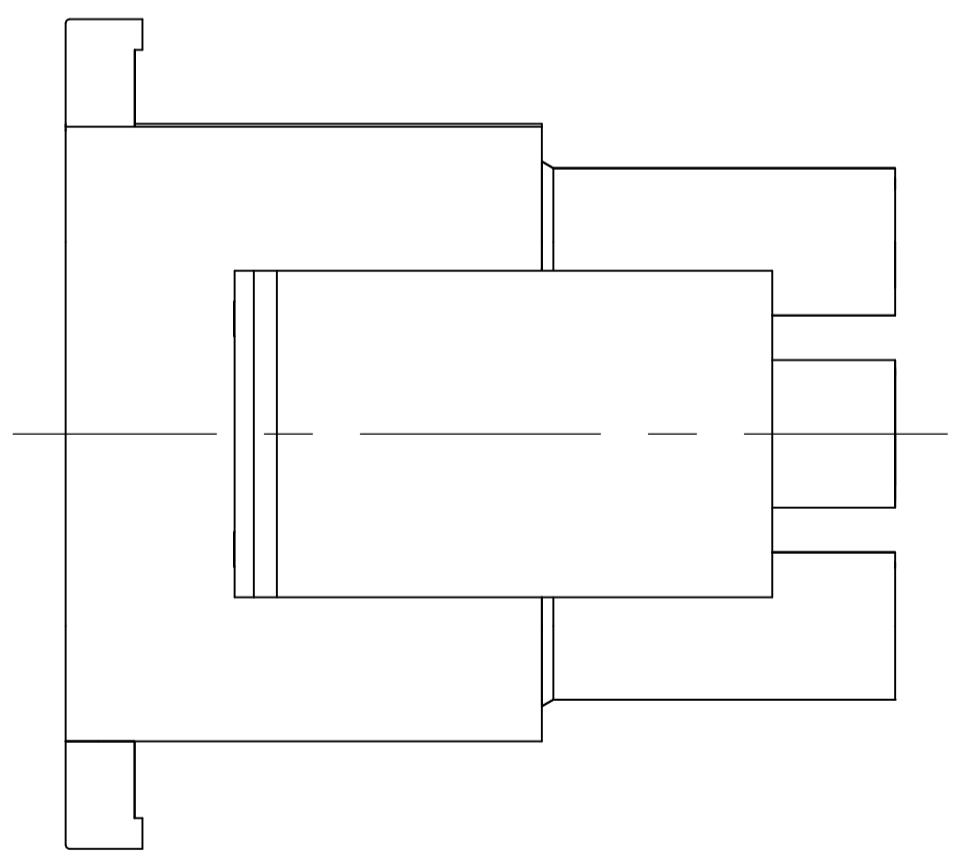
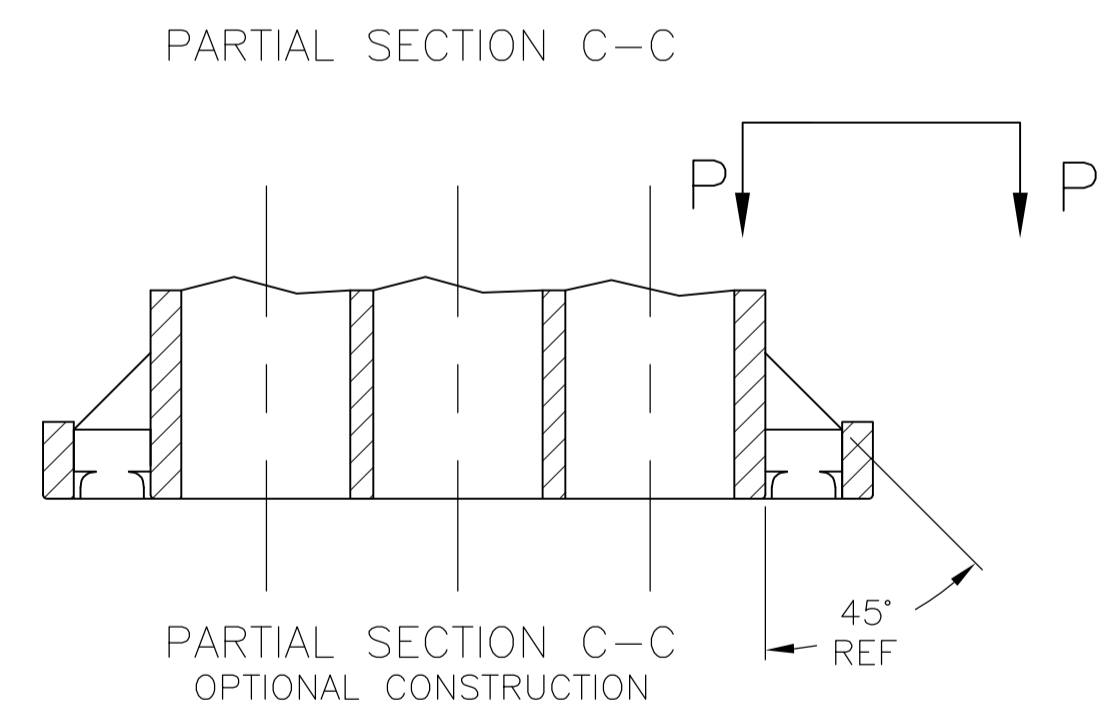
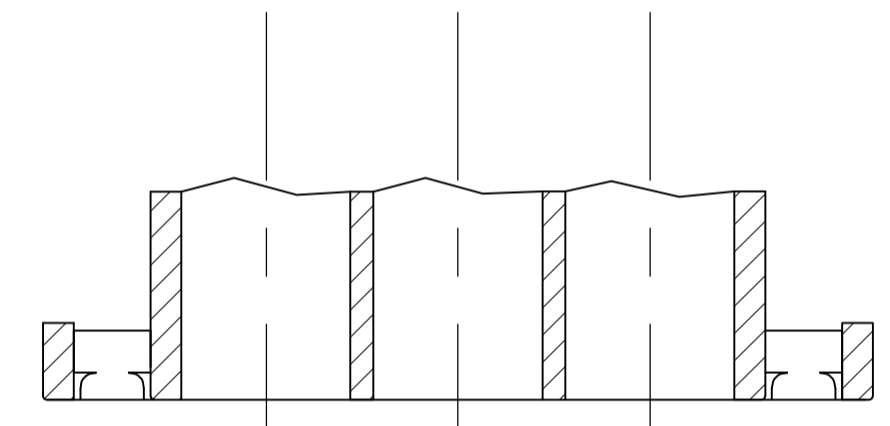


LOC		DIST		REVISIONS			
P	LTR	DESCRIPTION	DATE	DWN	APVD		
CM	00						
AL1		REVISED PER ECR-17-008392	26JUN2017	BW	KR		

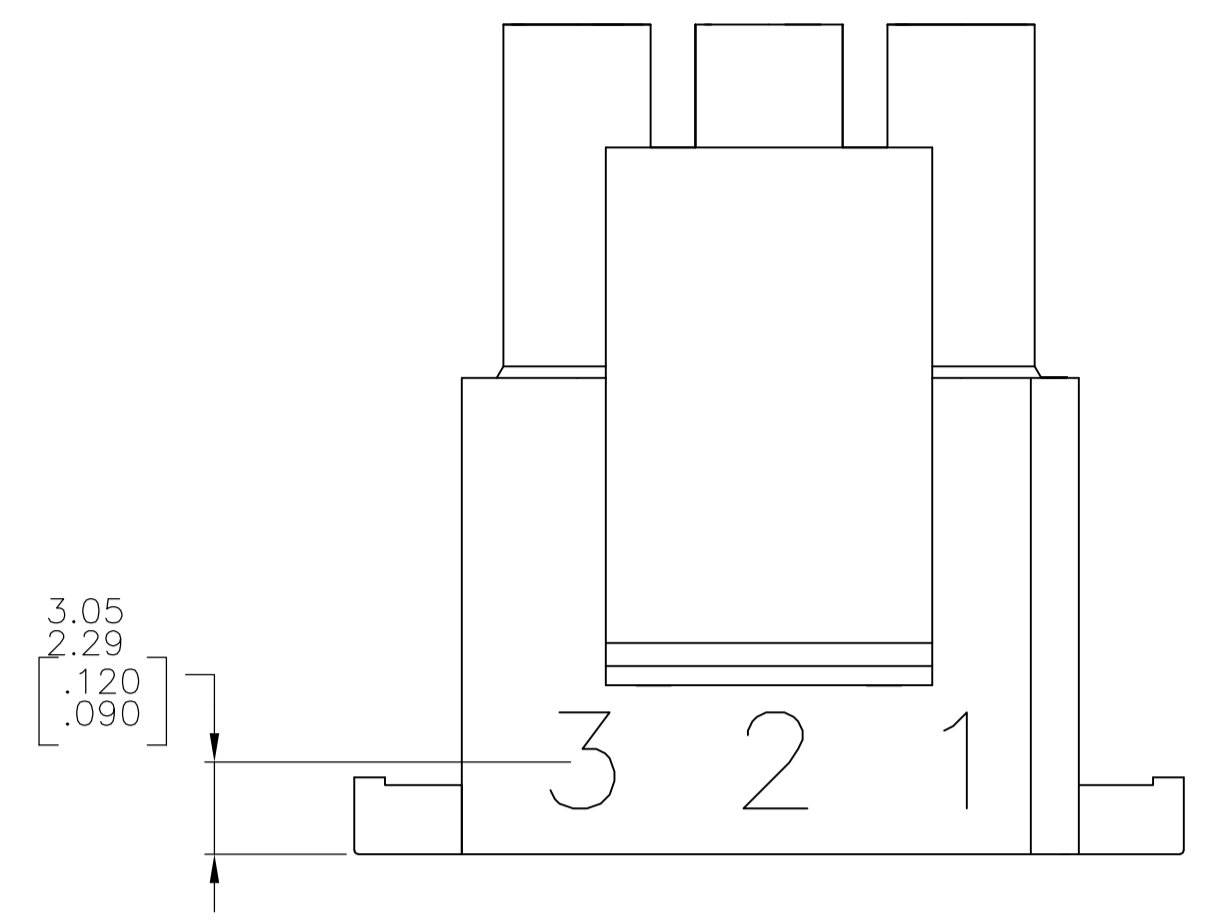


- MATES WITH APPROPRIATE UNIVERSAL MATE-N-LOK™ CAP OR HEADER.
 - SMALL NICKS ARE PERMITTED ON THE CIRCUIT TOWERS WHICH COULD INCREASE THE INITIAL HOUSING MATING FORCE BY UP TO 4.4 NEWTONS [1.0 LBS]. NO INDIVIDUAL NICKED TOWER SHALL INCREASE THIS FORCE BY OVER 2.2 NEWTONS [.5 LBS].
 - DIMENSIONS SHOWN REPRESENT PRODUCT IN DRY, AS MOLDED, CONDITION. ADDITIONAL 2% GROWTH DUE TO SUBSEQUENT MOISTURE ABSORPTION MAY OCCUR AND SHOULD BE ACCOUNTED FOR.
- △4 FOUR RIBS EQUALLY SPACED, NO SPECIFIC ORIENTATION, OR SIX RIBS EQUALLY SPACED, NO SPECIFIC ORIENTATION, OPTIONAL.
- △5 UNDERWRITERS RECOGNIZED COMPONENT LOGO AND CSA CERTIFICATION LOGO TO BE LOCATED ONCE EACH ON SIDE OF HOUSING.
- △6 OBSOLETE PARTS: OBSOLETE CIS STREAMLINING PER D.RENAUD/D.SINISI

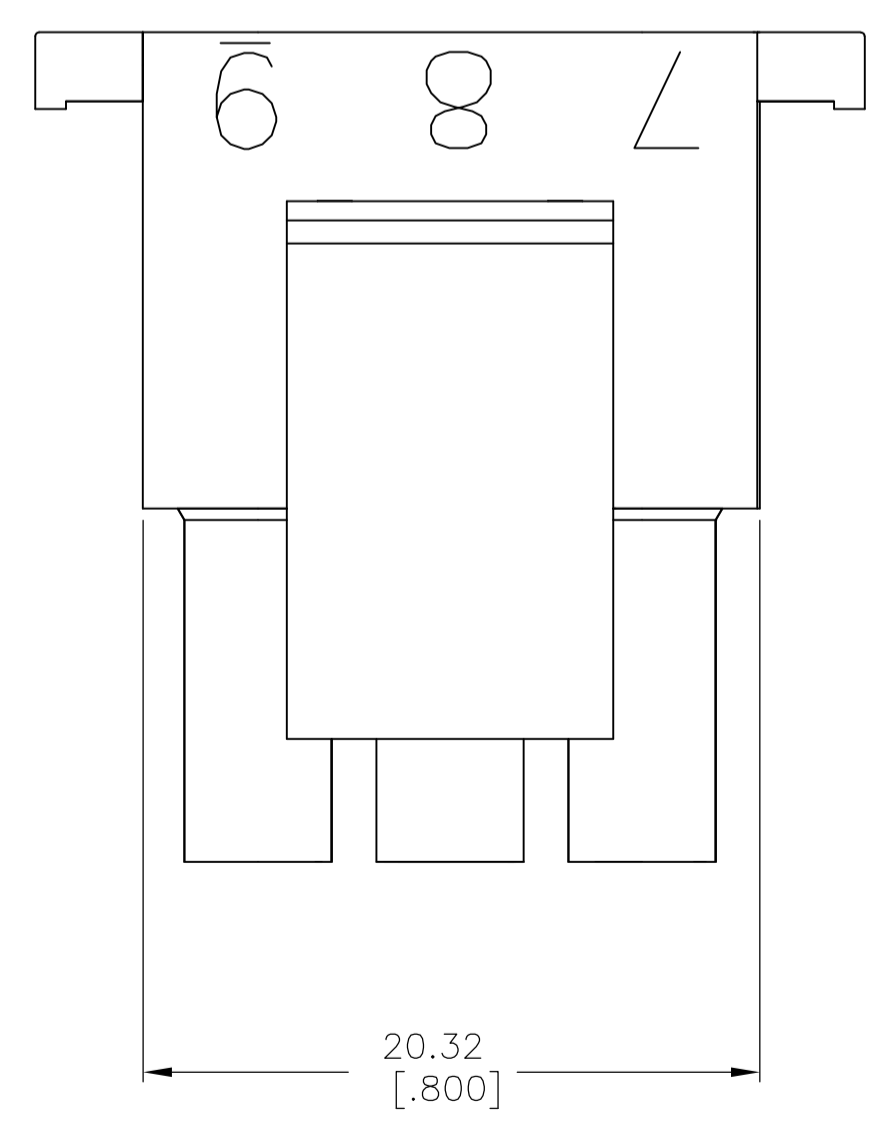
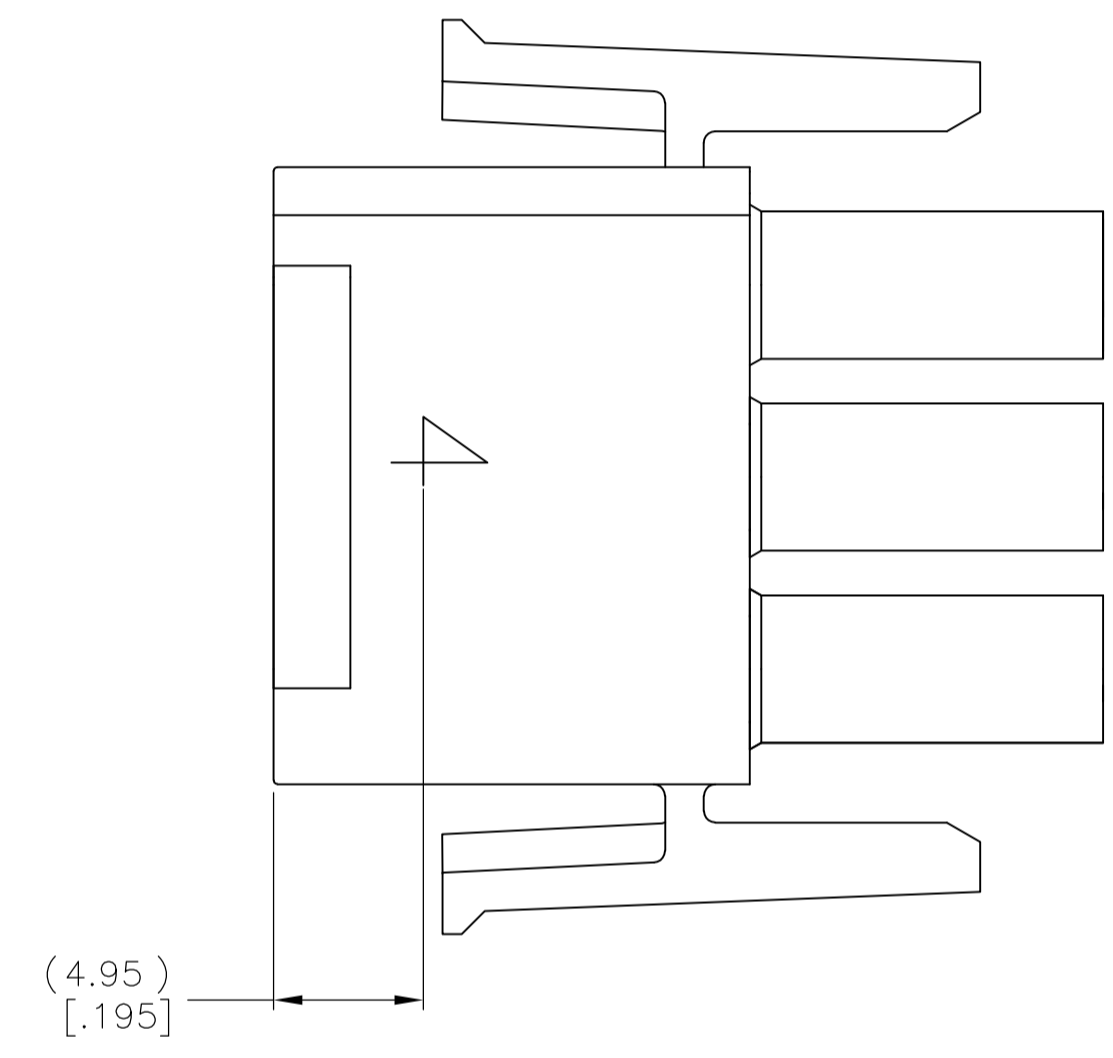
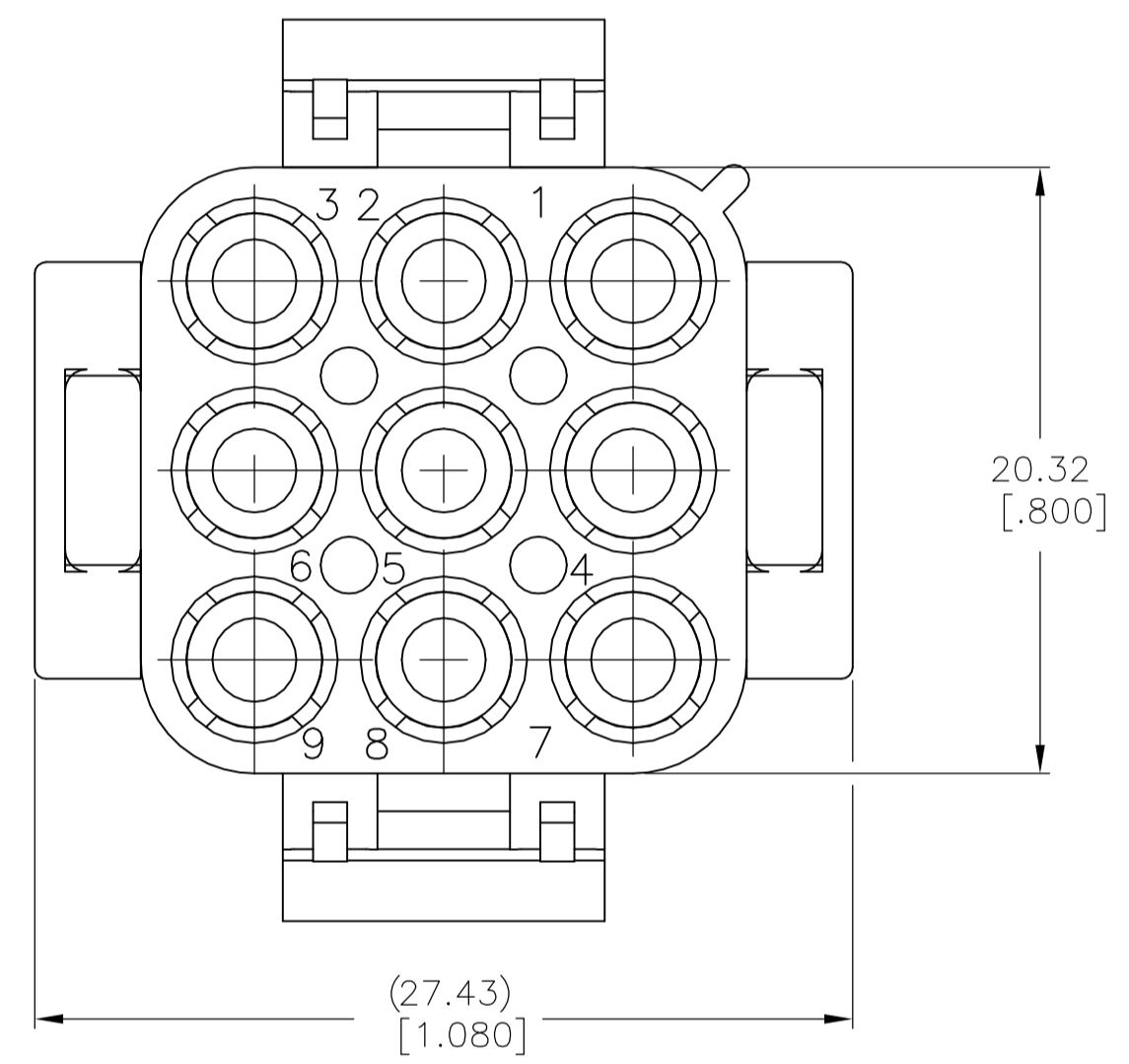
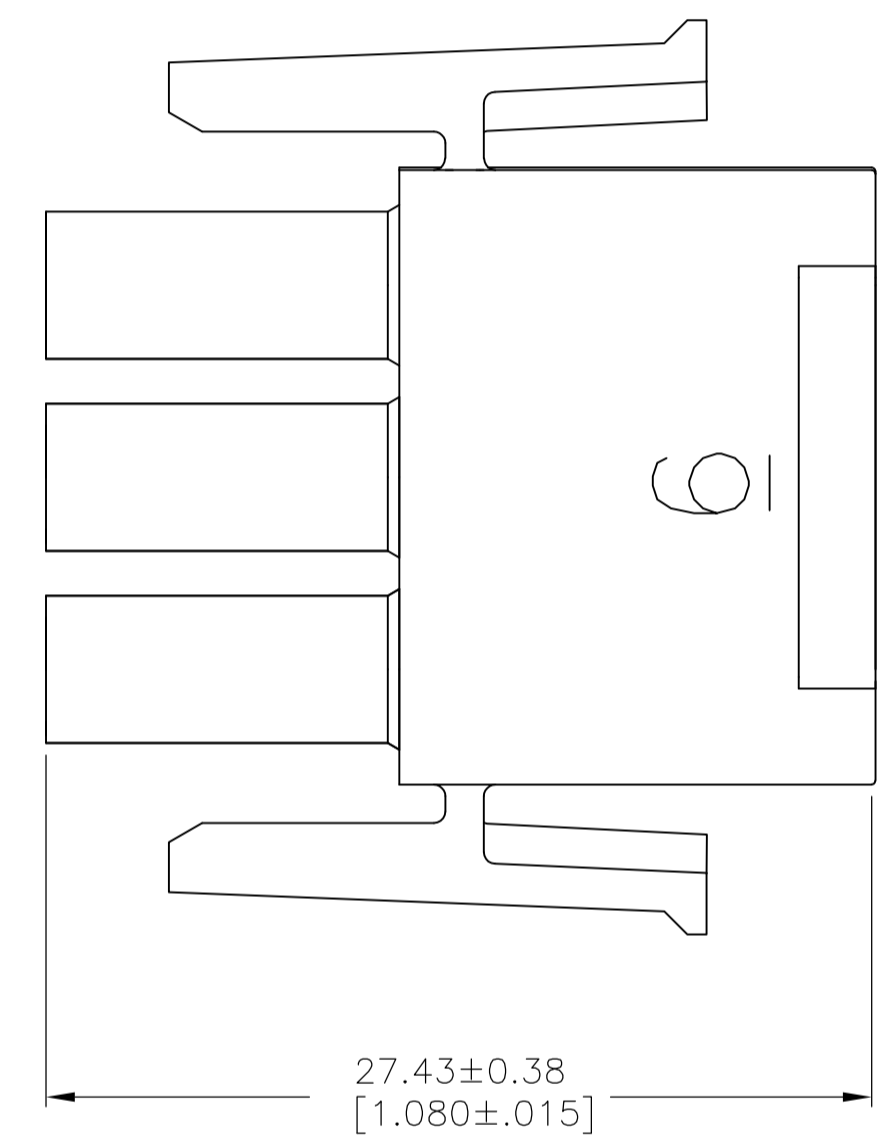


OBsolete	Color	Part No.
△6 SUPERCEDED BY 1-480706-0	BLACK	1-480706-9
△6 OBSOLETE	GRAY	1-480706-8
△6 OBSOLETE	BLUE	1-480706-6
△6 OBSOLETE	GREEN	1-480706-5
△6 OBSOLETE	YELLOW	1-480706-4
△6 OBSOLETE	ORANGE	1-480706-3
△6 OBSOLETE	RED	1-480706-2
	BROWN	1-480706-1
	NATURAL	1-480706-0
	COLOR	PART NO.

THIS DRAWING IS A CONTROLLED DOCUMENT.		DWN K. WHITAKER 01SEP04	STE TE Connectivity	
DIMENSIONS: mm [INCHES]		CHK S. RIDGILL 01SEP04	NAME PLUG, 9 CIRCUIT, UNIVERSAL MATE-N-LOK™	
TOLERANCES UNLESS OTHERWISE SPECIFIED: 0. PLC ± - 1. PLC ± - 2. PLC ± 0.13 [.005] 3. PLC ± - 4. PLC ± - ANGLES ± 0°30'		APVD S. RIDGILL 01SEP04	PRODUCT SPEC	
MATERIAL NYLON, UL94V-2		FINISH -	SIZE A1	RESTRICTED TO
		WEIGHT	CAGE CODE 00779	DRAWING NO. 480706
		CUSTOMER DRAWING		SCALE 4:1 SHEET 1 OF 2 REV AL1



1. STAMP NUMBERS 3.18 [.125] HIGH AT WIRE END OF HOUSING (12 POINT DAVID TYPE).
2. CHARACTERS TO BE POSITIONED ON HOUSING TO BE READ FROM WIRE END ONLY.
3. VIOLET, BLACK, BROWN, AND BLUE COLORED BLOCKS TO BE STAMPED WITH WHITE CHARACTERS. ALL OTHER COLORED BLOCKS TO BE STAMPED WITH BLACK CHARACTERS.



NATURAL	2-480706-0
COLOR	PART NUMBER

THIS DRAWING IS A CONTROLLED DOCUMENT.		DIN K. WHITAKER 01SEP2004		NATURE	
DIMENSIONS: mm [INCHES]		CHK S. RIDGILL 01SEP2004		COLOR	
TOLERANCES UNLESS OTHERWISE SPECIFIED:		APPV S. RIDGILL 01SEP2004		TE Connectivity	
0 PLC	± -	NAME		PLUG, 9 CIRCUIT, UNIVERSAL MATE-N-LOK	
1 PLC	± -	PRODUCT SPEC		SIZE	
2 PLC	± 0.13 [.005]	APPLICATION SPEC		CAGE CODE	
3 PLC	± -	WEIGHT		DRAWING NO	
4 PLC	± -	CUSTOMER DRAWING		RESTRICTED TO	
ANGLES	± 0°30'	SCALE		SHEET	
MATERIAL	FINISH	A1 00779		2 OF 2	
		C=480706		REV AL1	

单击下面可查看定价，库存，交付和生命周期等信息

[>>TE Connectivity\(泰科\)](#)