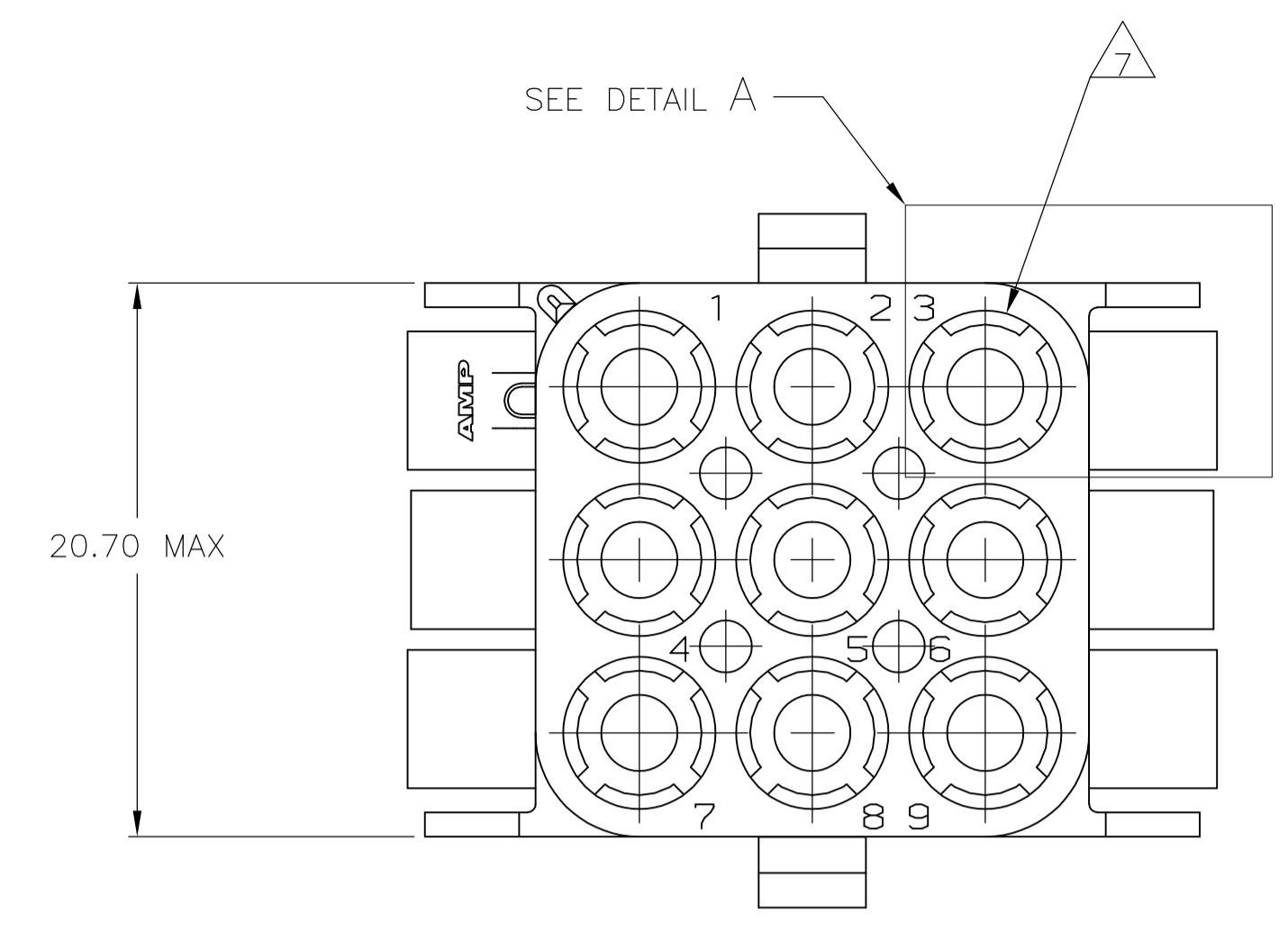
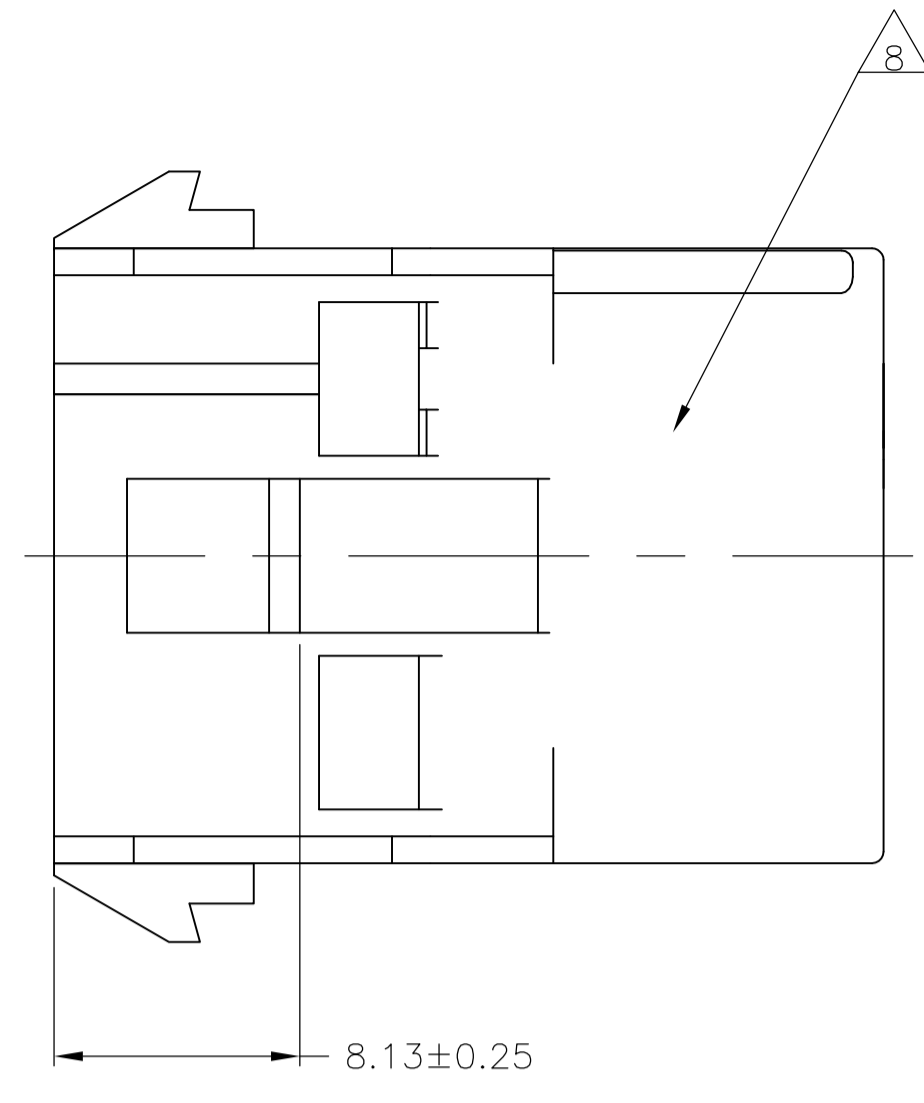
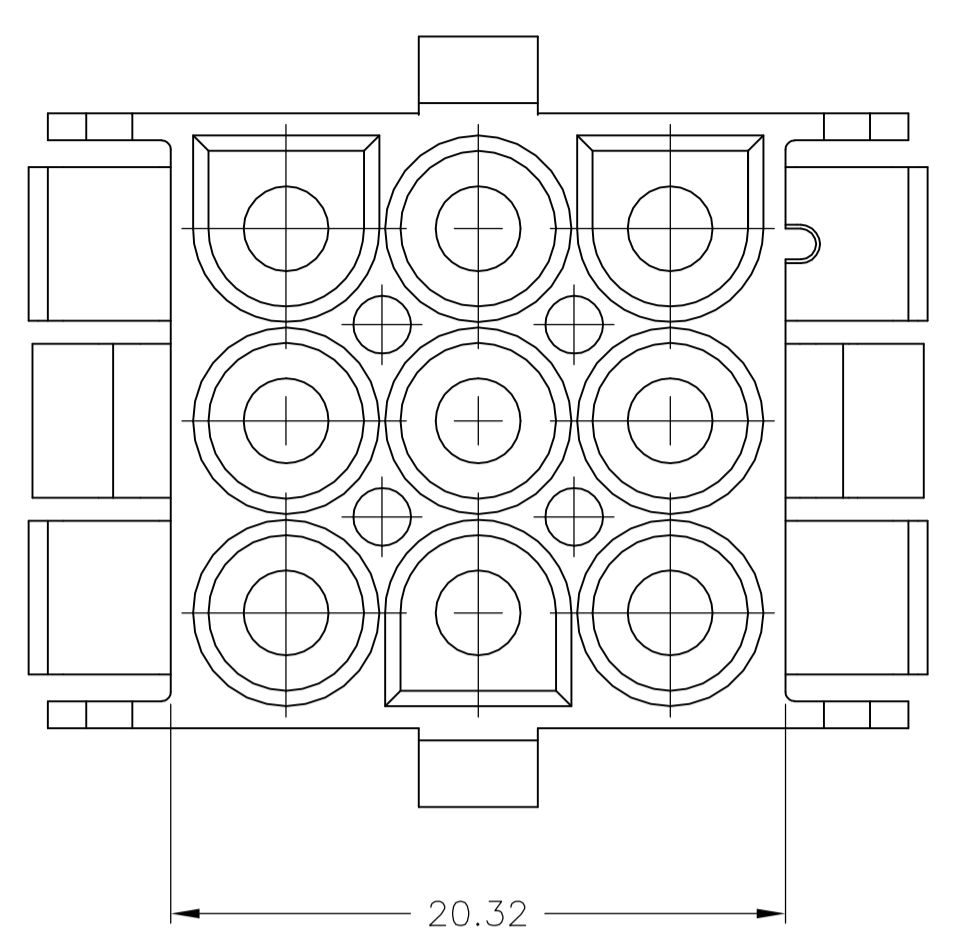
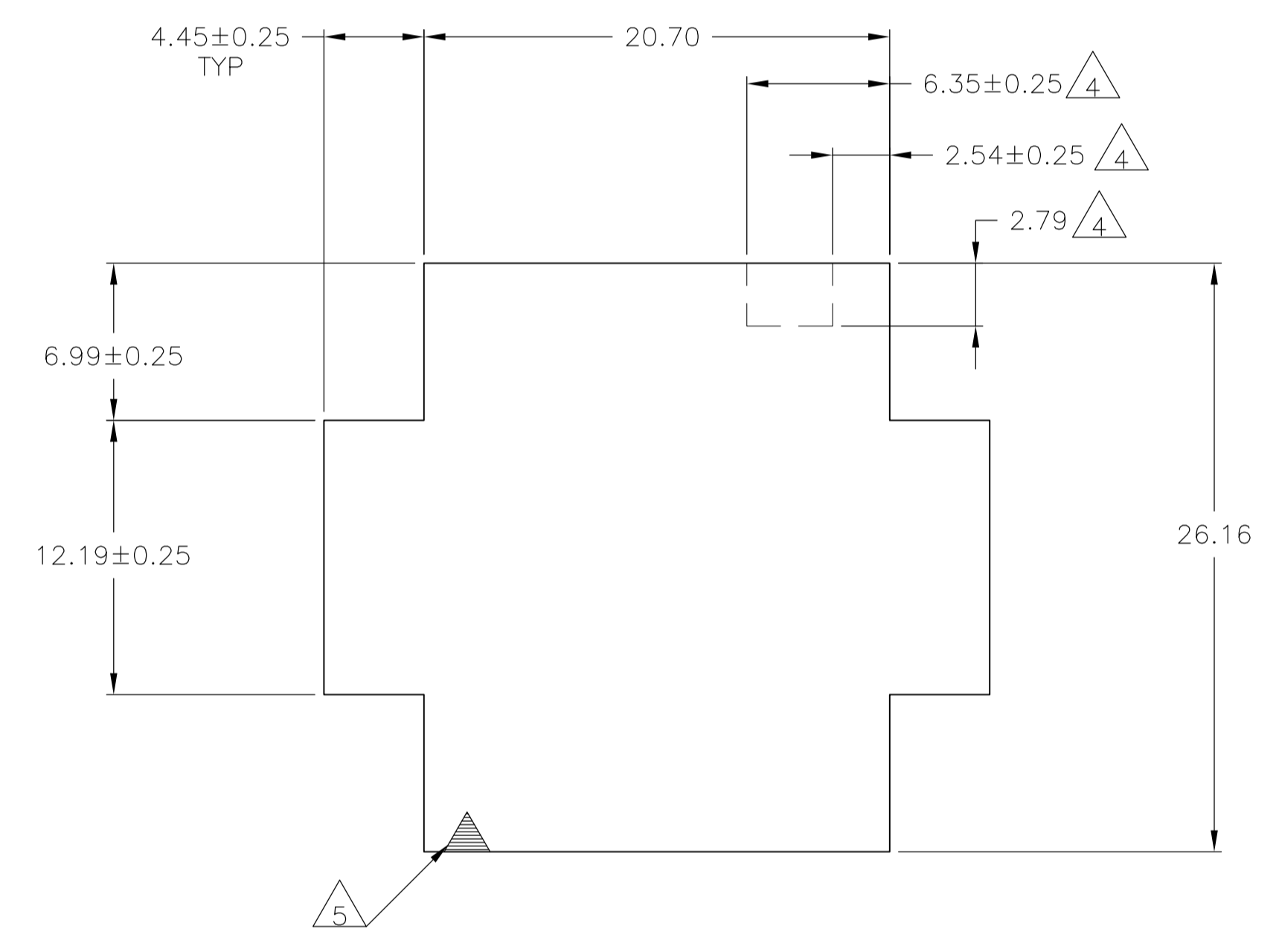
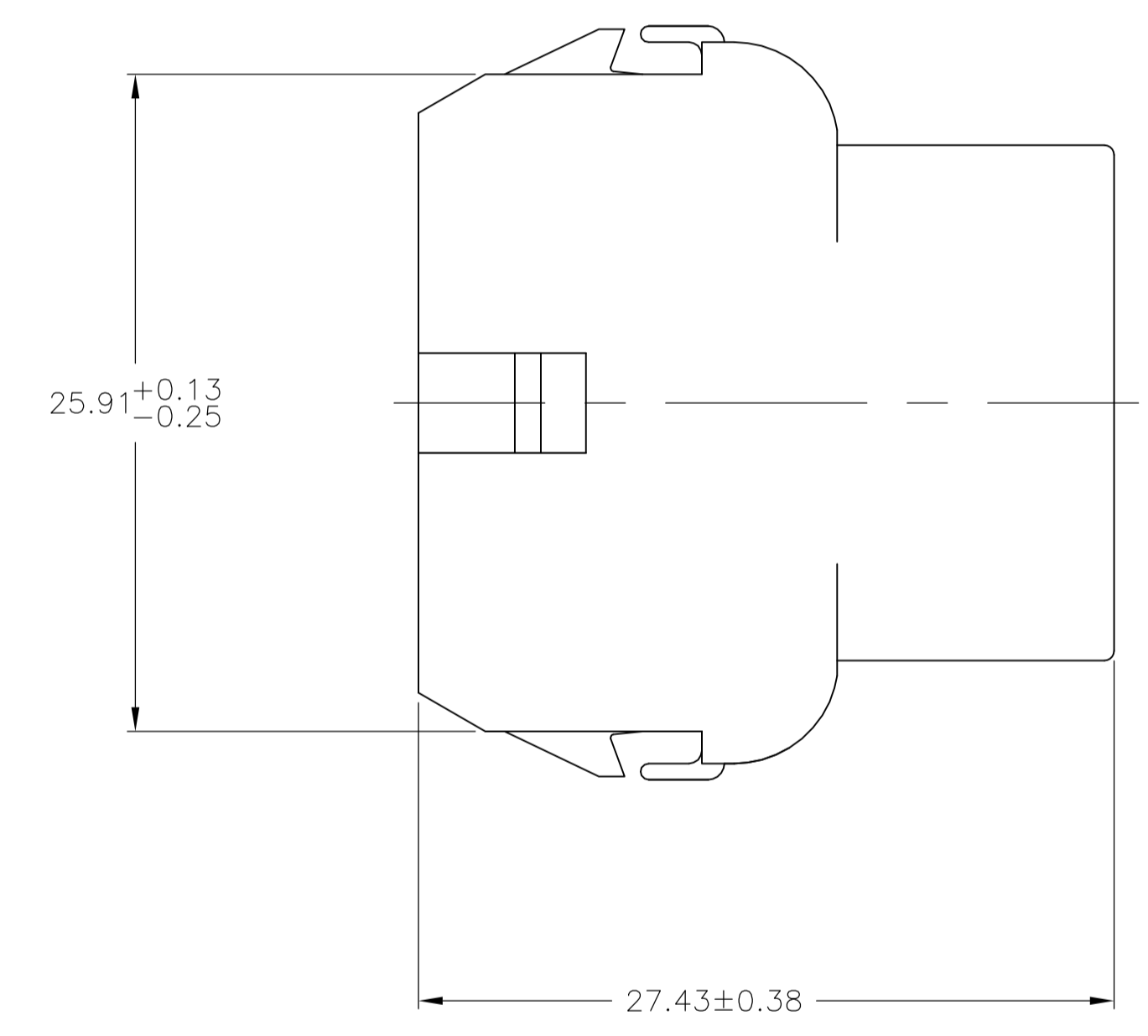
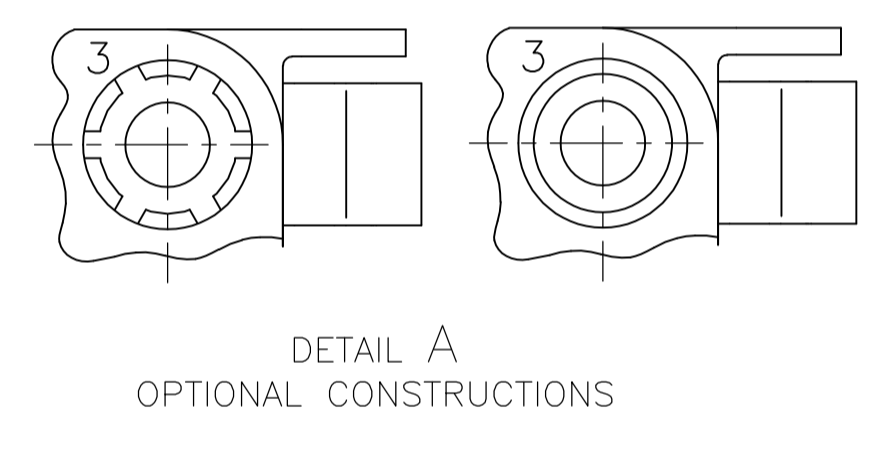


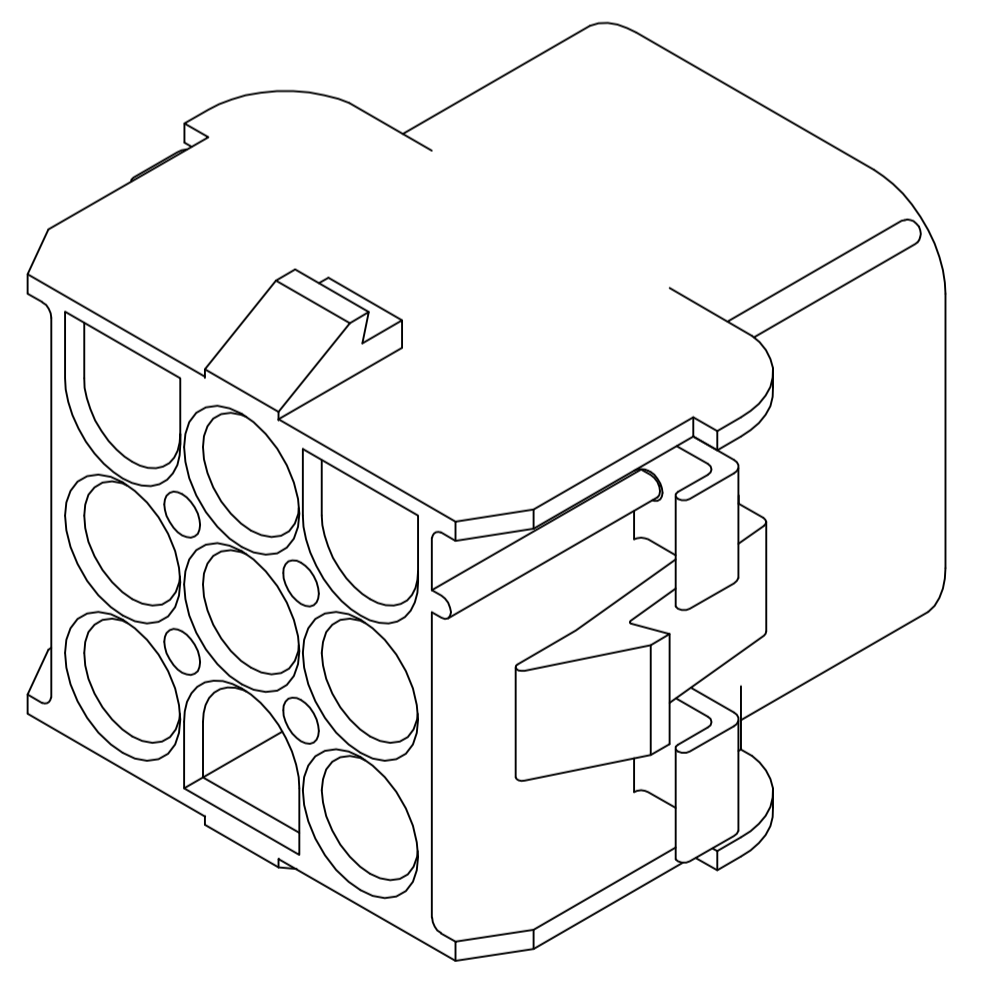
LOC	DIST	REVISIONS				
CM	00	REV	DESCRIPTION	DATE	BY	APPROV
AL1		REVISED PER	ECR-17-008392	26JUN2017	BW	KR



1. MATES WITH APPROPRIATE UNIVERSAL MATE-N-LOK™ PLUG.
2. RECOMMENDED PANEL THICKNESS 0.76 - 2.29.
3. PANEL MUST BE PUNCHED SO THAT THE HOUSING ENTERS THE PANEL IN THE SAME DIRECTION AS THE PUNCH.
4. OPTIONAL FOR KEYING HOUSING IN PANEL.
5. CIRCUIT NUMBER 1 LOCATION.
6. DIMENSIONS SHOWN REPRESENT PRODUCT IN DRY, AS MOLDED, CONDITION. ADDITIONAL 2% GROWTH DUE TO SUBSEQUENT MOISTURE ABSORPTION MAY OCCUR AND SHOULD BE ACCOUNTED FOR.
7. FOUR RIBS EQUALLY SPACED, NO SPECIFIC ORIENTATION. NO RIBS OR SIX RIBS EQUALLY SPACED, NO SPECIFIC ORIENTATION, OPTIONAL.
8. UNDERWRITERS RECOGNIZED COMPONENT LOGO AND CSA CERTIFICATION LOGO TO BE LOCATED ONCE EACH ON SIDE OF HOUSING.
9. OBSOLETE PARTS: OBSOLETE CIS STREAMLINING PER D.RENAUD/D.SINISI



RECOMMENDED PANEL CUT OUT



3-DIMENSIONAL MODEL NTS

MM	IN	MM	IN
6.35	.250	-	-
4.45	.175	27.43	1.080
2.79	.110	26.43	1.041
2.54	.100	25.91	1.020
2.29	.090	20.70	.815
0.76	.030	20.32	.800
0.38	.015	12.19	.480
0.25	.010	8.13	.320
0.13	.005	6.99	.275
MM	IN	MM	IN

CONVERSION TABLE

Color	Part No
BLACK	1-480707-9
GRAY	1-480707-8
BLUE	1-480707-6
GREEN	1-480707-5
YELLOW	1-480707-4
ORANGE	1-480707-3
RED	1-480707-2
BROWN	1-480707-1
NATURAL	1-480707-0
COLOR	PART NO

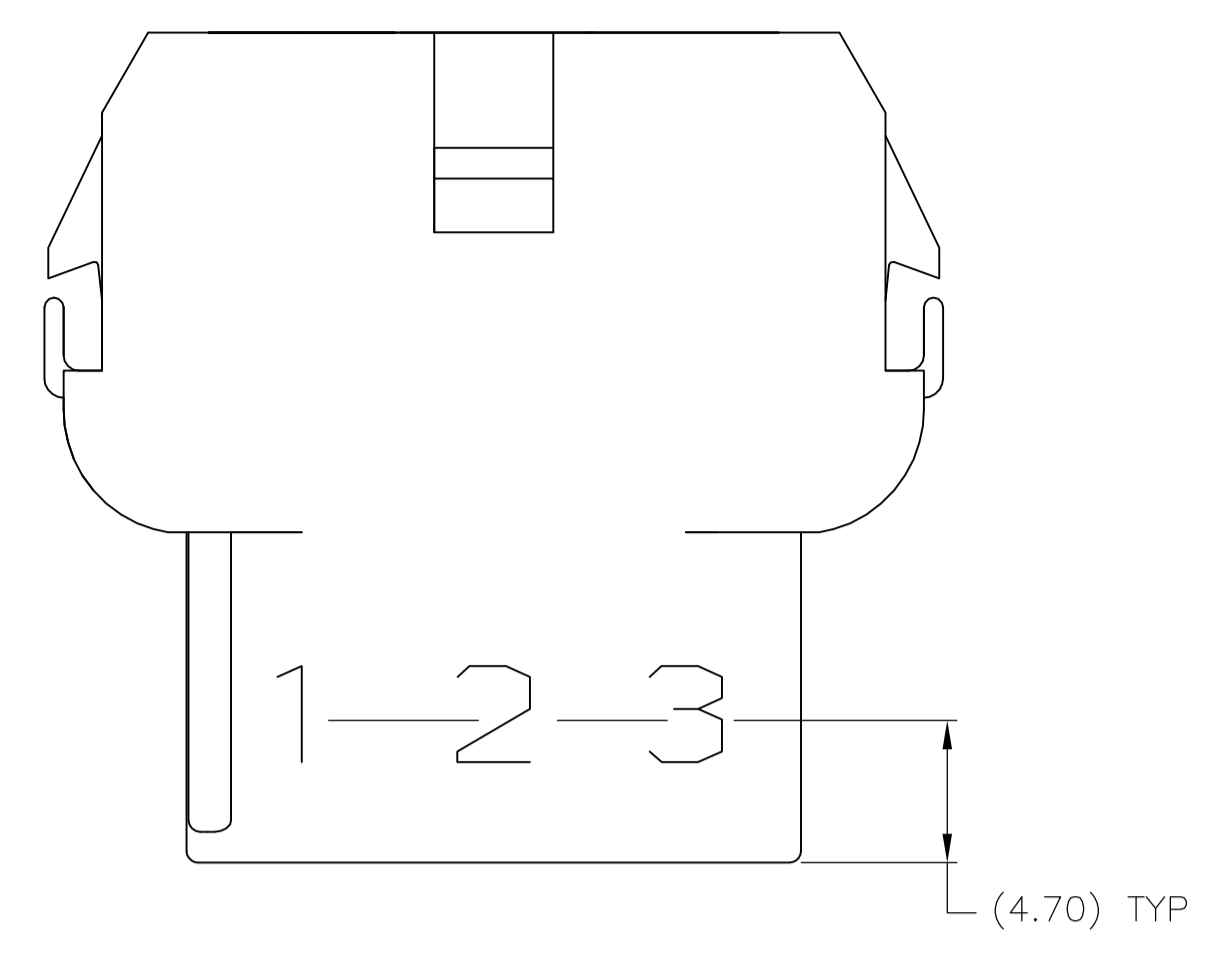
9 OBSOLETE
9 SUPERSEDED BY 1-480707-0

THIS DRAWING IS A CONTROLLED DOCUMENT.

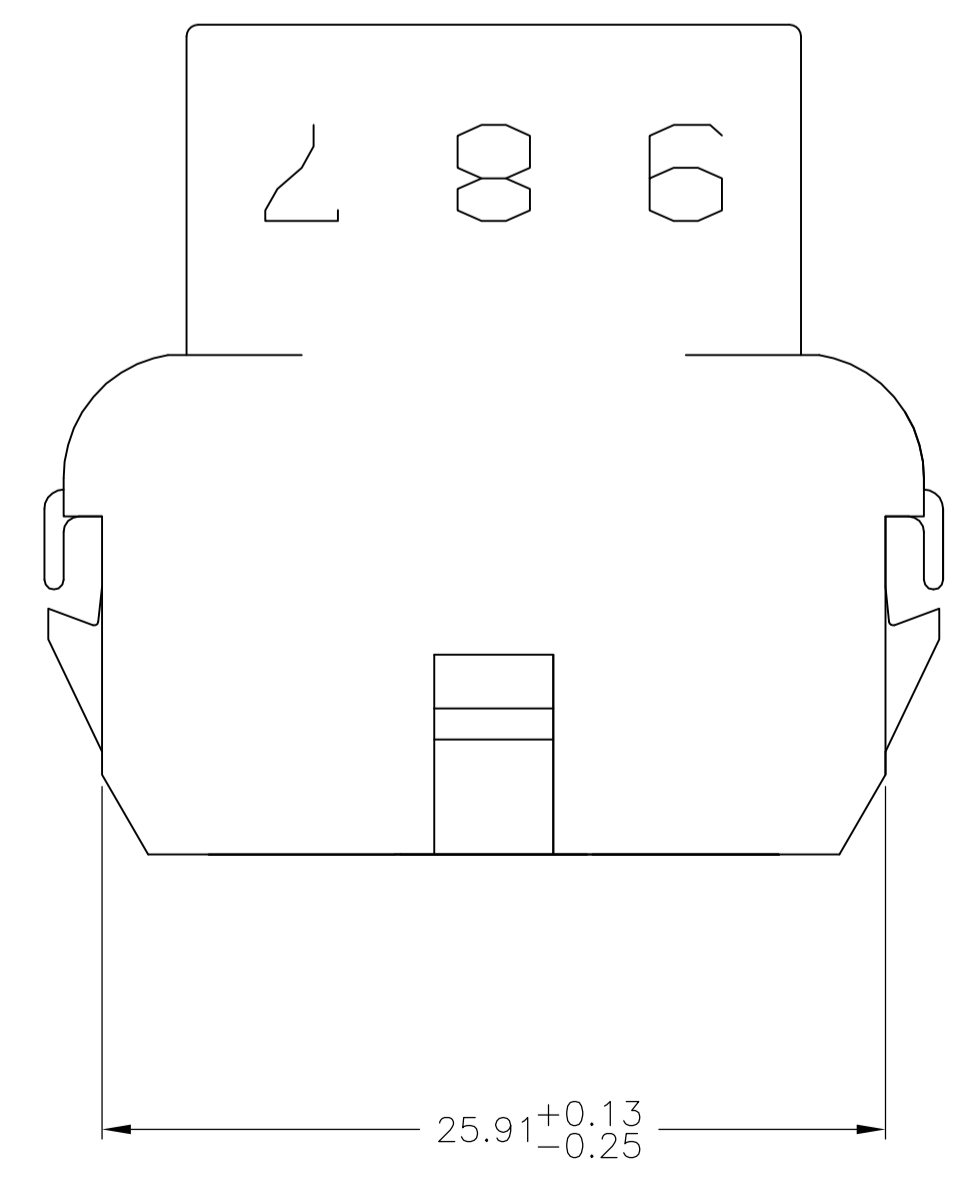
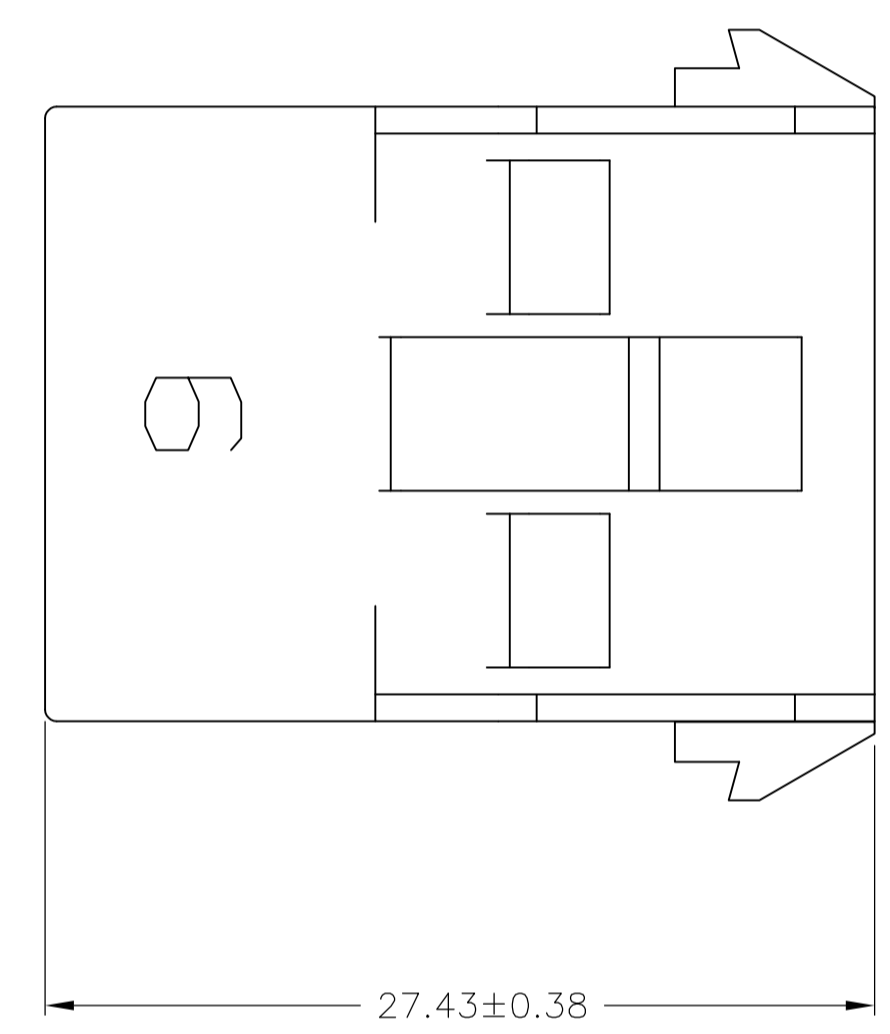
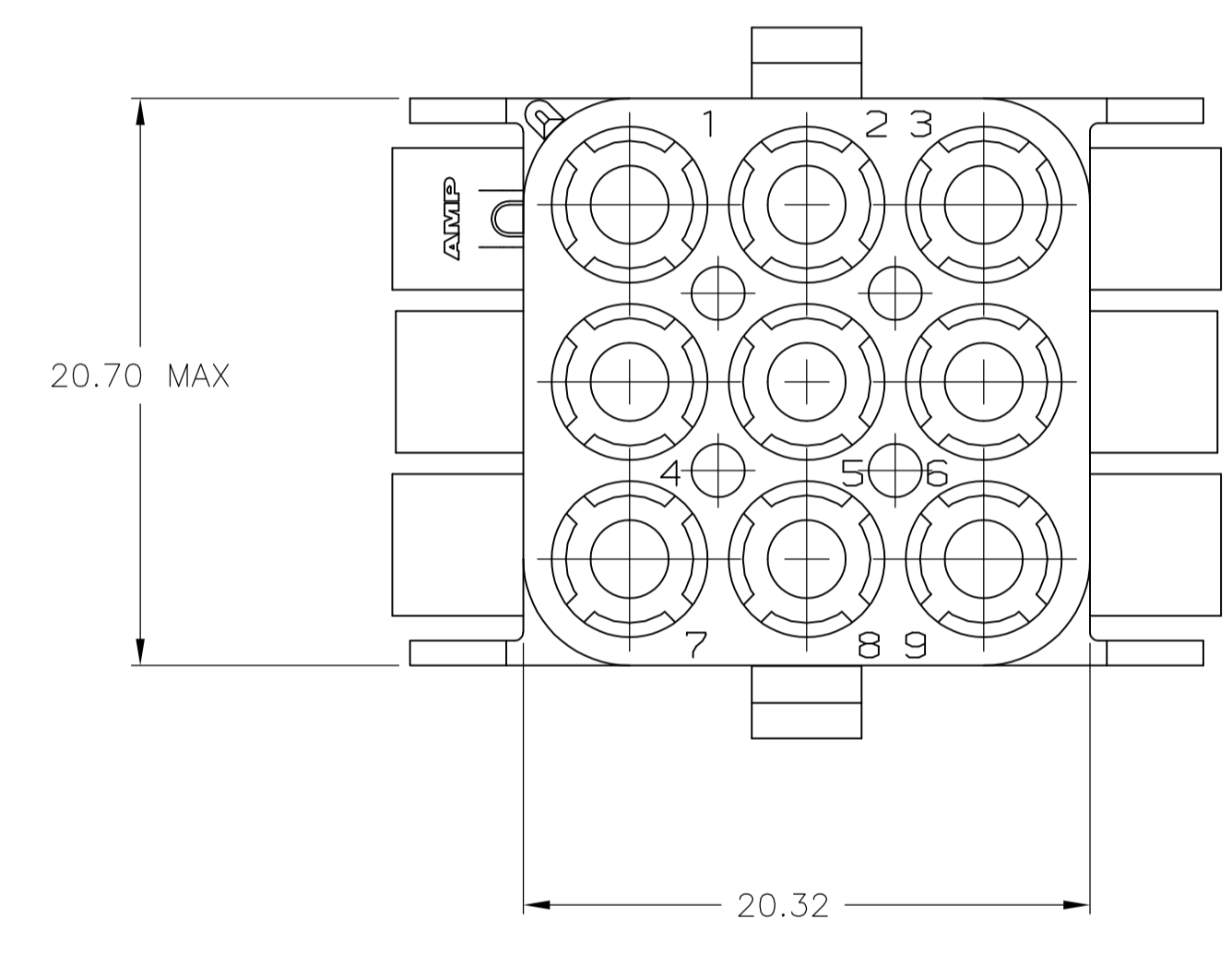
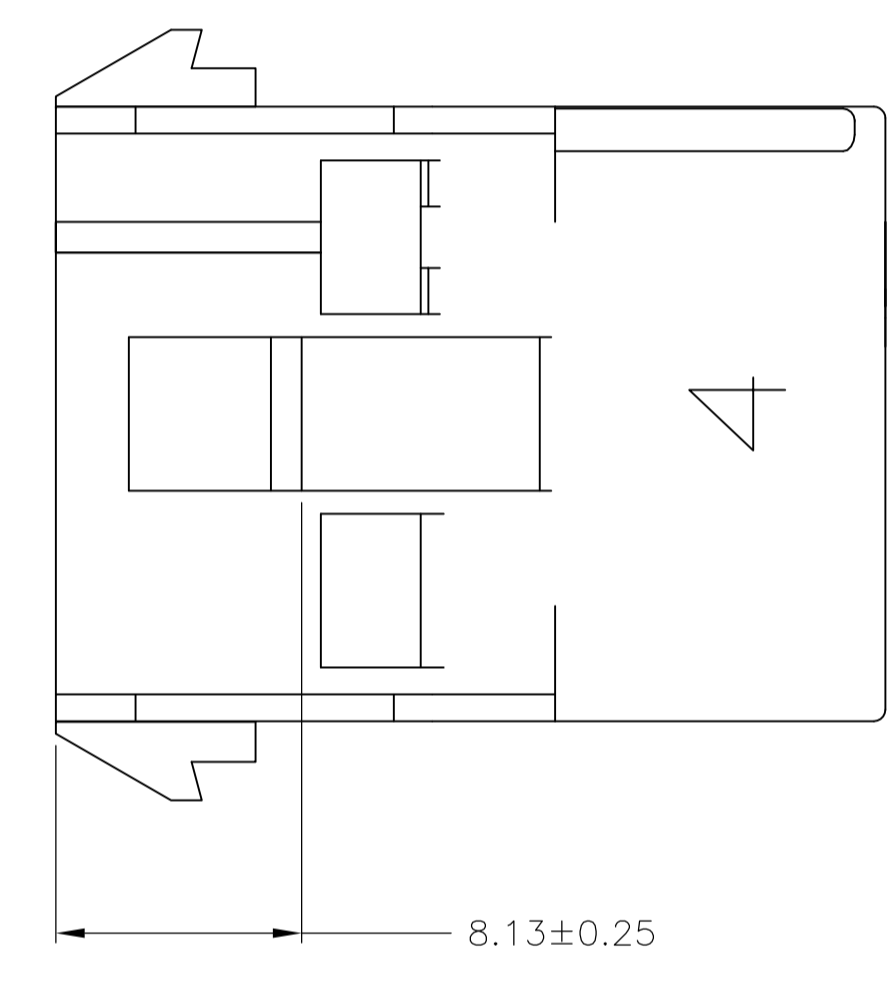
DIMENSIONS: mm	TOLERANCES UNLESS OTHERWISE SPECIFIED:	DIN K. WHITAKER 29JUL04	CHK S. RIDGILL 29JUL04	APPROVED S. RIDGILL 29JUL04	NAME
0. PLC ± -	1. PLC ± -	2. PLC ± 0.13	3. PLC ± -	4. PLC ± -	ANGLES ± 0.30°
MATERIAL NYLON, UL94V-2	FINISH -	WEIGHT	SIZE A1	CAGE CODE 00779	DRAWING NO. 480707
CUSTOMER DRAWING		SCALE 4:1	SHEET 1 OF 2	REV AL1	RESTRICTED TO

STE TE Connectivity

CAP, 9 CIRCUIT, UNIVERSAL MATE-N-LOK(TM)



1. STAMP NUMBERS 3.18 HIGH AT WIRE END OF HOUSING (12 POINT DAVID TYPE); CLARIFICATION MARKS UNDER THE 6 & 9.
2. CHARACTERS TO BE STAMPED ON HOUSING IN A MANNER AS TO BE READ FROM WIRE END ONLY.
3. VIOLET, BLACK, BROWN, AND BLUE COLORED BLOCKS TO BE STAMPED WITH WHITE CHARACTERS. ALL OTHER COLORED BLOCKS TO BE STAMPED WITH BLACK CHARACTERS.



MM	IN	MM	IN
5.08	.200	-	-
4.70	.185	27.43	1.080
3.18	.125	25.91	1.020
0.38	.015	20.70	.815
0.25	.010	20.32	.800
0.13	.005	8.13	.320

CONVERSION TABLE

NATURAL	2-480707-0
COLOR	PART NO

THIS DRAWING IS A CONTROLLED DOCUMENT.

DIMENSIONS:	TOLERANCES UNLESS OTHERWISE SPECIFIED:	DIN	29JUL04
mm		K. WHITAKER	29JUL04
	0. PLC ± -	S. RIDGILL	29JUL04
	1. PLC ± -	S. RIDGILL	29JUL04
	2. PLC ± 0.13		
	3. PLC ± -		
	4. PLC ± -		
	ANGLES ± 0°30'		
MATERIAL	FINISH	NAME	SIZE
NYLON, UL94V-2	-	CAP, 9 CIRCUIT, UNIVERSAL MATE-N-LOK(TM)	A1
		APPLICATION SPEC	WEIGHT
			-
		CAGE CODE	DRAWING NO
		480779	480707
		RESTRICTED TO	
		CUSTOMER DRAWING	
		SCALE	SHEET
		4:1	2 OF 2
		REV	AL1

单击下面可查看定价，库存，交付和生命周期等信息

[>>TE Connectivity\(泰科\)](#)