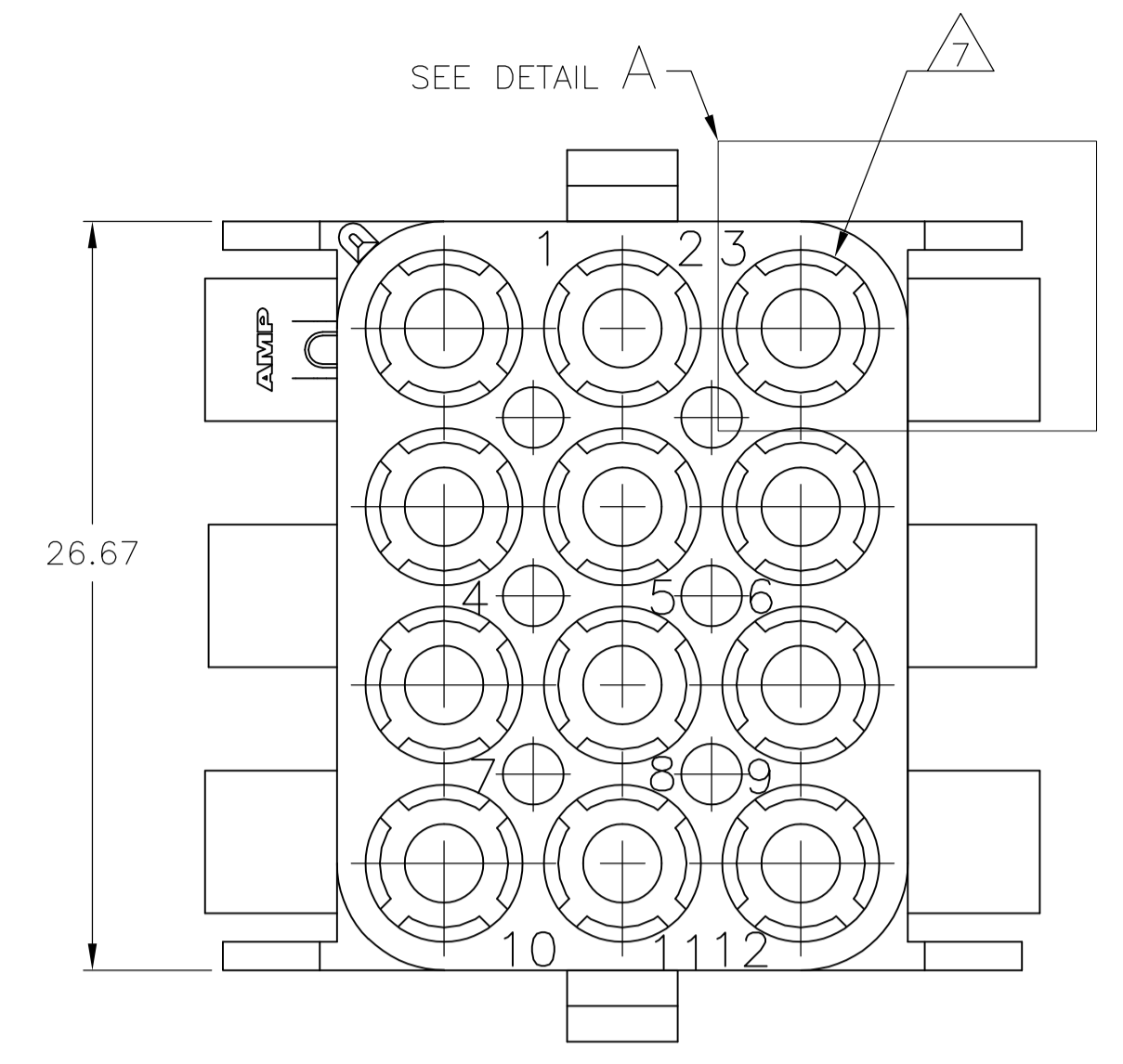
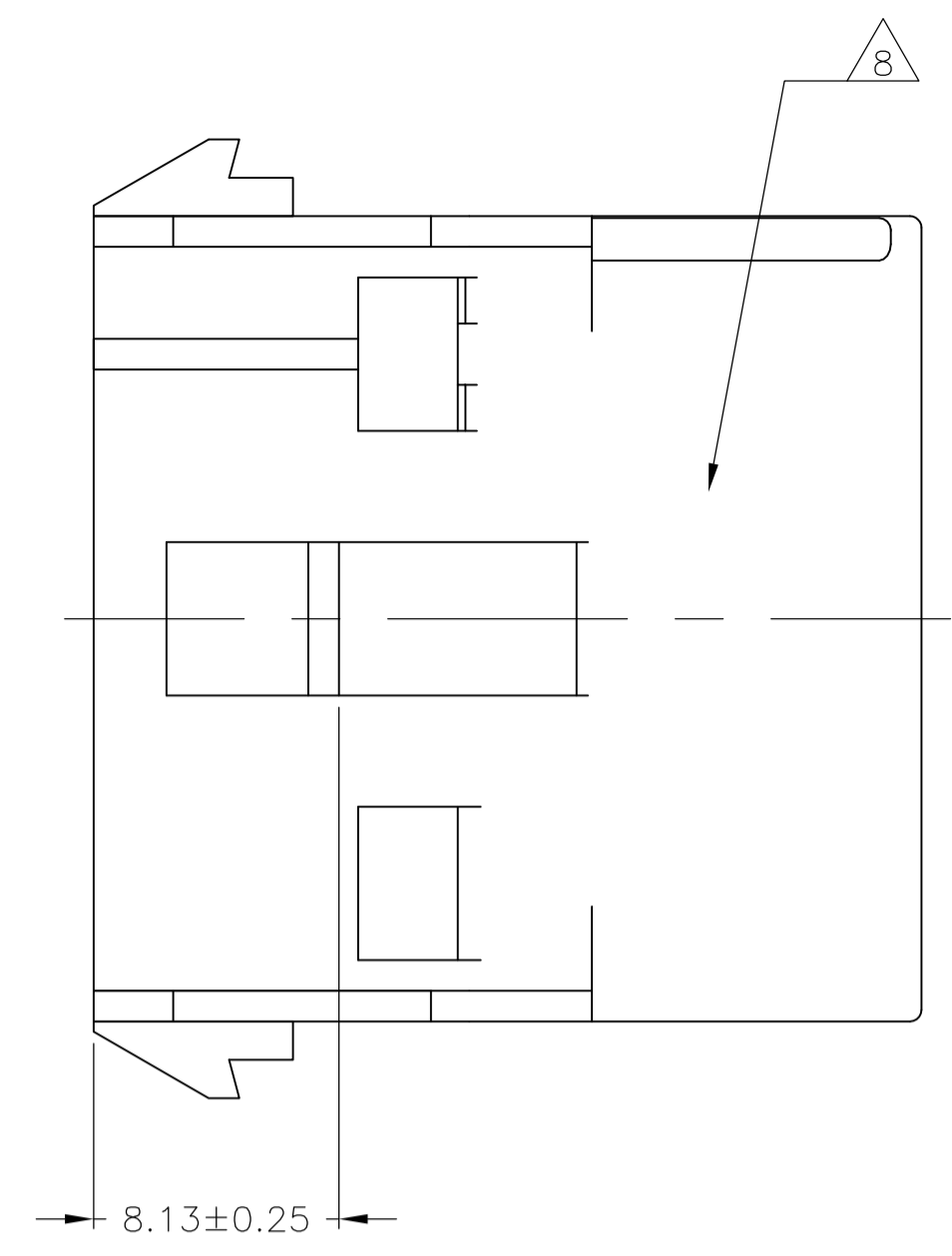
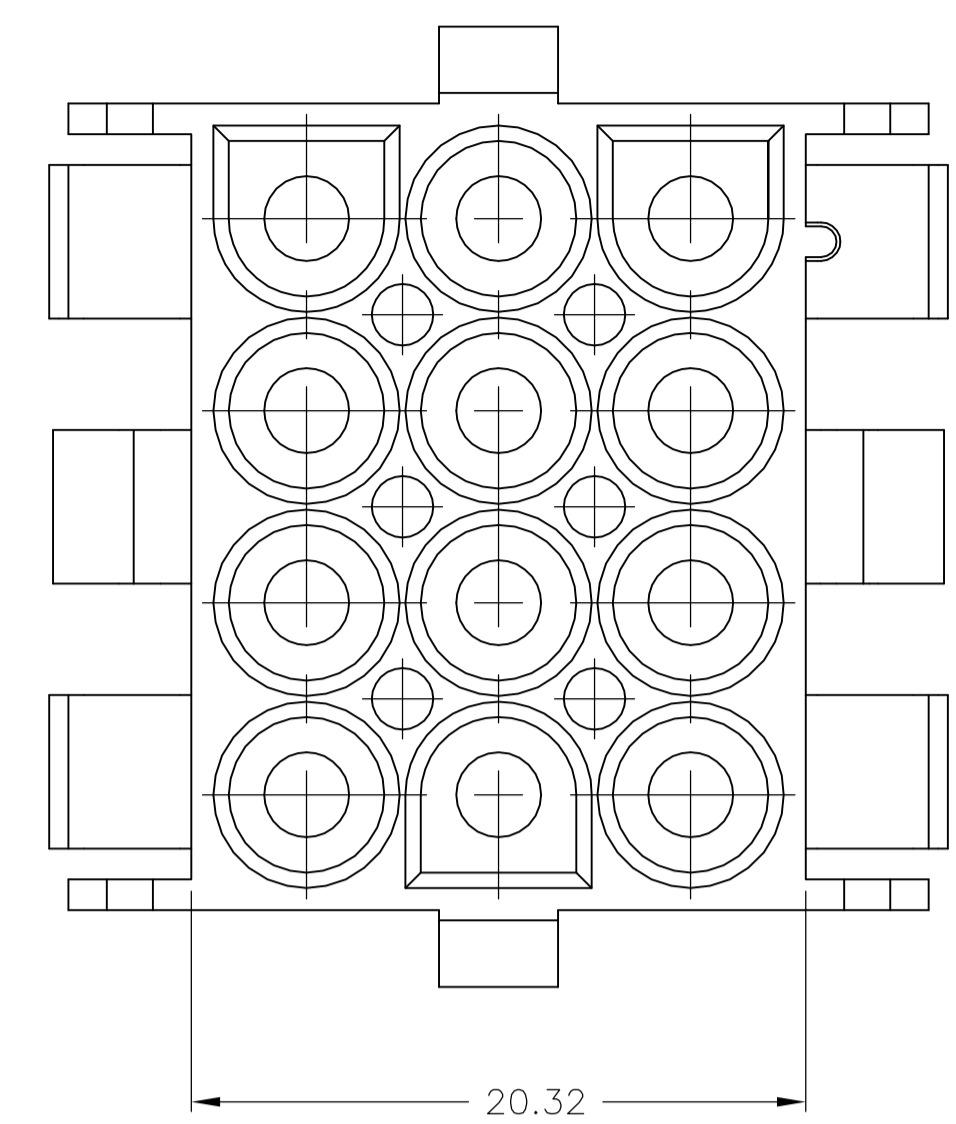
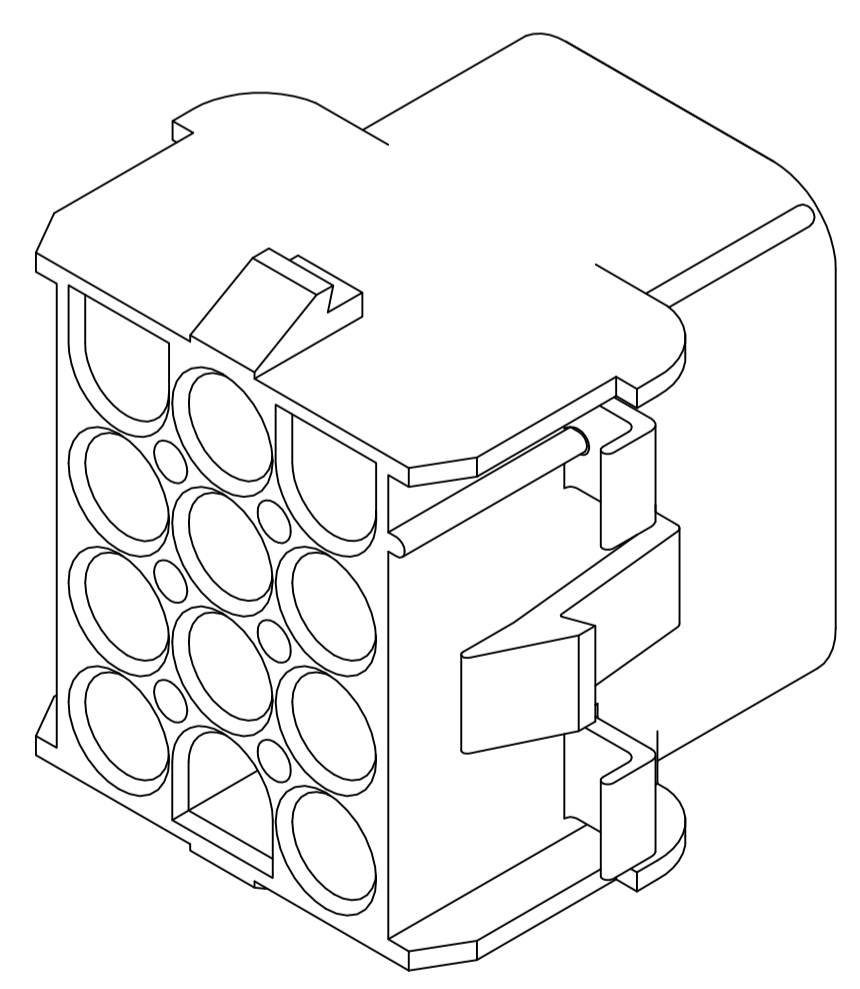
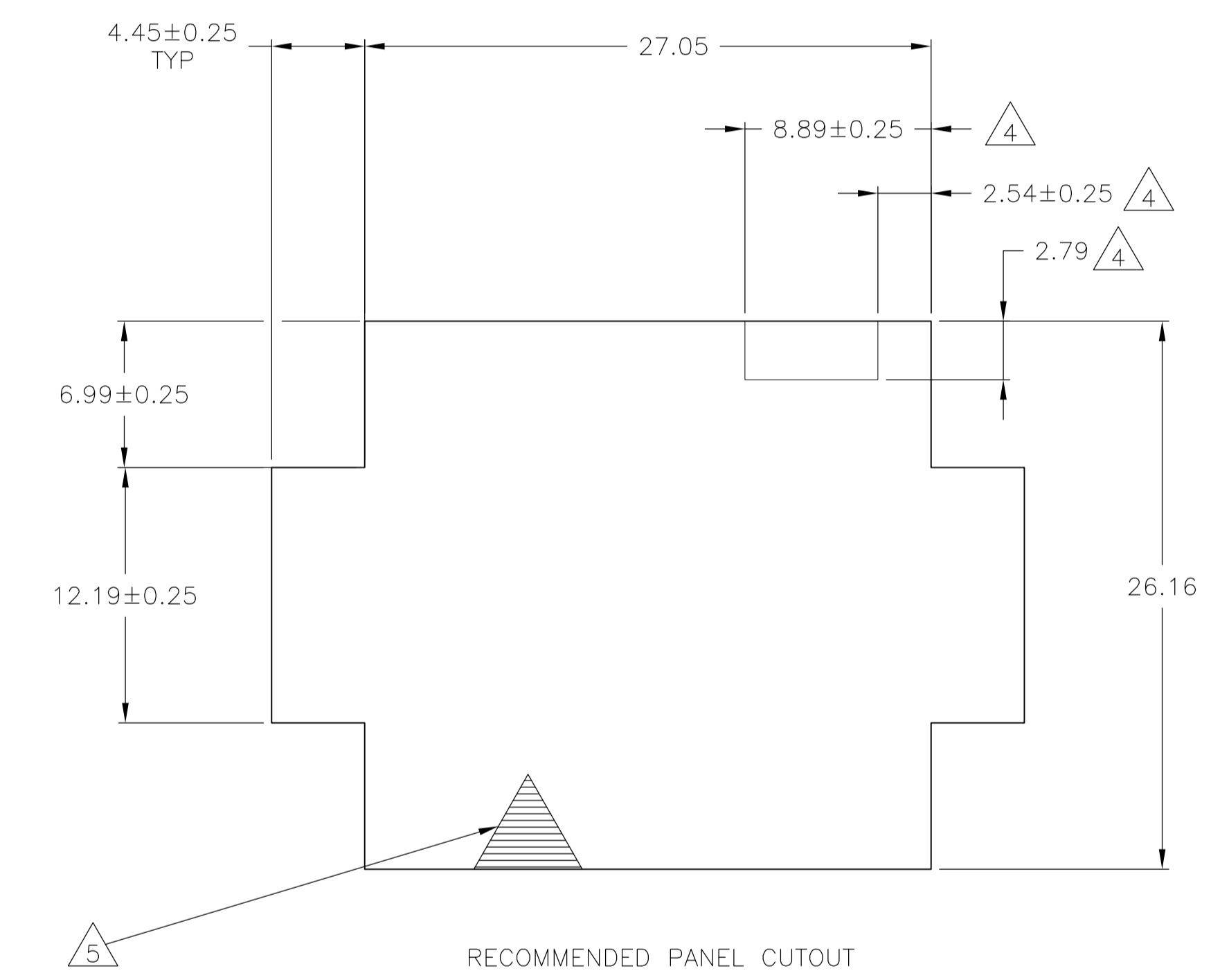
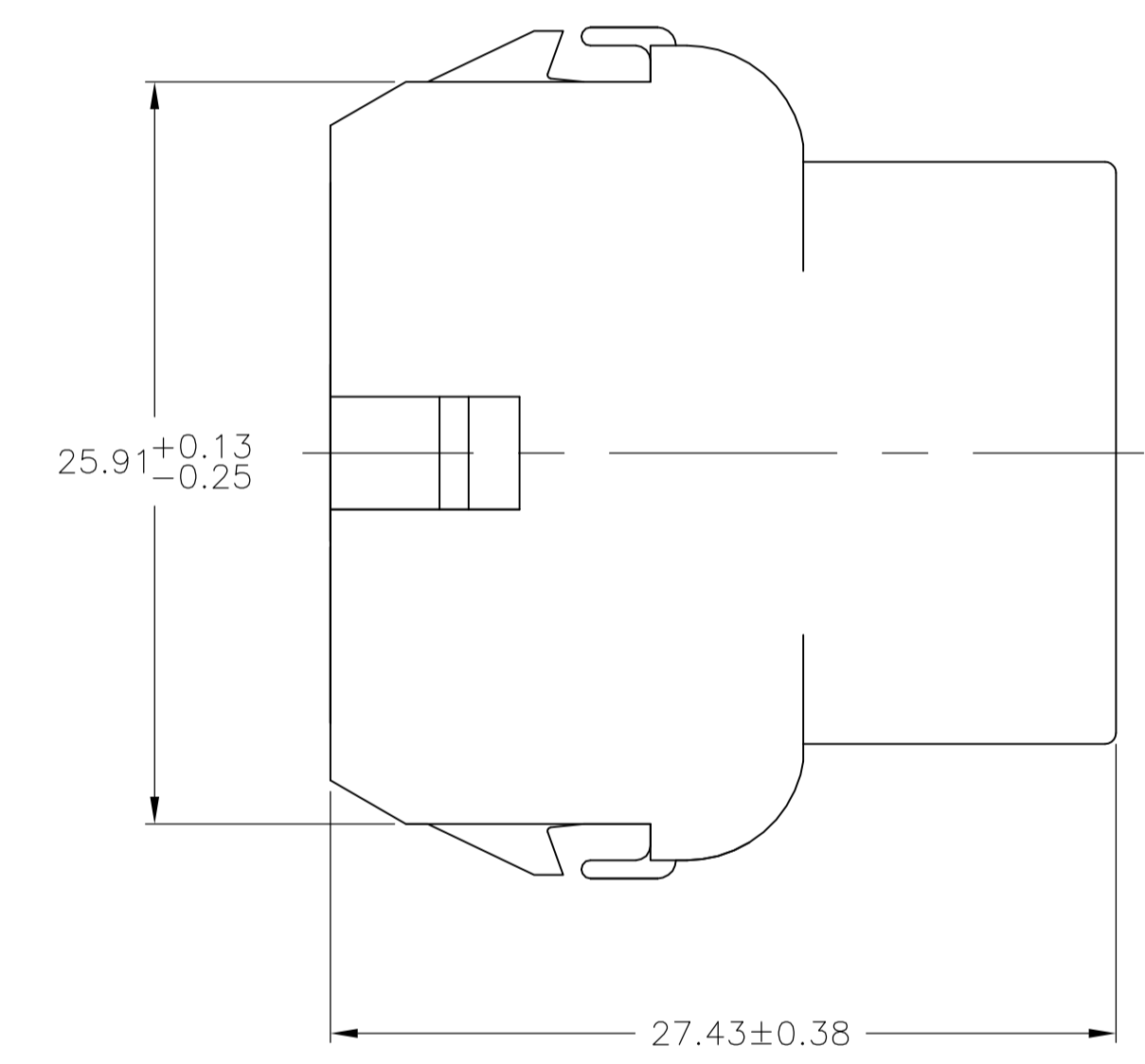
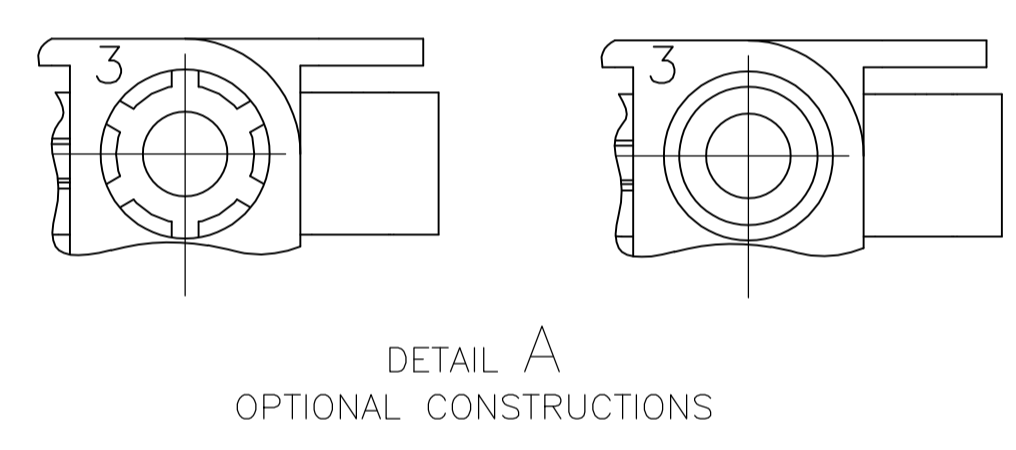


LOC		DIST		REVISIONS			
CM	00	REV	DATE	BY	APPROV		
AL3	REVISED PER ECR-17-008392		26JUN2017	BW	KR		



1. MATE WITH APPROPRIATE UNIVERSAL MATE-N-LOCK™ PLUG.
2. RECOMMENDED PANEL THICKNESS 0.75 - 2.29.
3. PANEL MUST BE PUNCHED SO THAT THE HOUSING ENTERS THE PANEL IN THE SAME DIRECTION AS THE PUNCH.
4. OPTIONAL FOR KEYING HOUSING IN PANEL.
5. CIRCUIT NUMBER 1 LOCATION.
6. DIMENSIONS SHOWN REPRESENT PRODUCT IN DRY, AS MOLDED, CONDITION. ADDITIONAL 2% GROWTH DUE TO SUBSEQUENT MOISTURE ABSORPTION MAY OCCUR AND SHOULD BE ACCOUNTED FOR.
7. FOUR RIBS EQUALLY SPACED, NO SPECIFIC ORIENTATION. NO RIBS OR SIX RIBS EQUALLY SPACED, NO SPECIFIED ORIENTATION, OPTIONAL.
8. UNDERWRITERS RECOGNIZED COMPONENT LOGO AND CSA CERTIFICATION LOGO TO BE LOCATED ONCE EACH ON SIDE OF HOUSING.
9. OBSOLETE PARTS: OBSOLETE CIS STREAMLINING PER D.RENAUD/D.SINISI



3-DIMENSIONAL MODEL NTS

MM	IN	MM	IN
6.99	.275	27.43	1.080
4.45	.175	27.05	1.065
2.79	.110	26.67	1.050
2.54	.100	26.16	1.030
2.29	.090	25.91	1.020
0.76	.030	20.32	.800
0.38	.015	12.19	.480
0.25	.010	8.89	.350
0.13	.005	8.13	.320
MM	IN	MM	IN

CONVERSION TABLE

9	OBSOLETE	COLOR	PART NO
9	OBSOLETE	BLACK	1-480709-9
9	OBSOLETE	GRAY	1-480709-8
9	OBSOLETE	BLUE	1-480709-6
9	OBSOLETE	GREEN	1-480709-5
9	OBSOLETE	YELLOW	1-480709-4
9	OBSOLETE	ORANGE	1-480709-3
9	OBSOLETE	RED	1-480709-2
9	OBSOLETE	BROWN	1-480709-1
9	OBSOLETE	NATURAL	1-480709-0
9	OBSOLETE	COLOR	PART NO

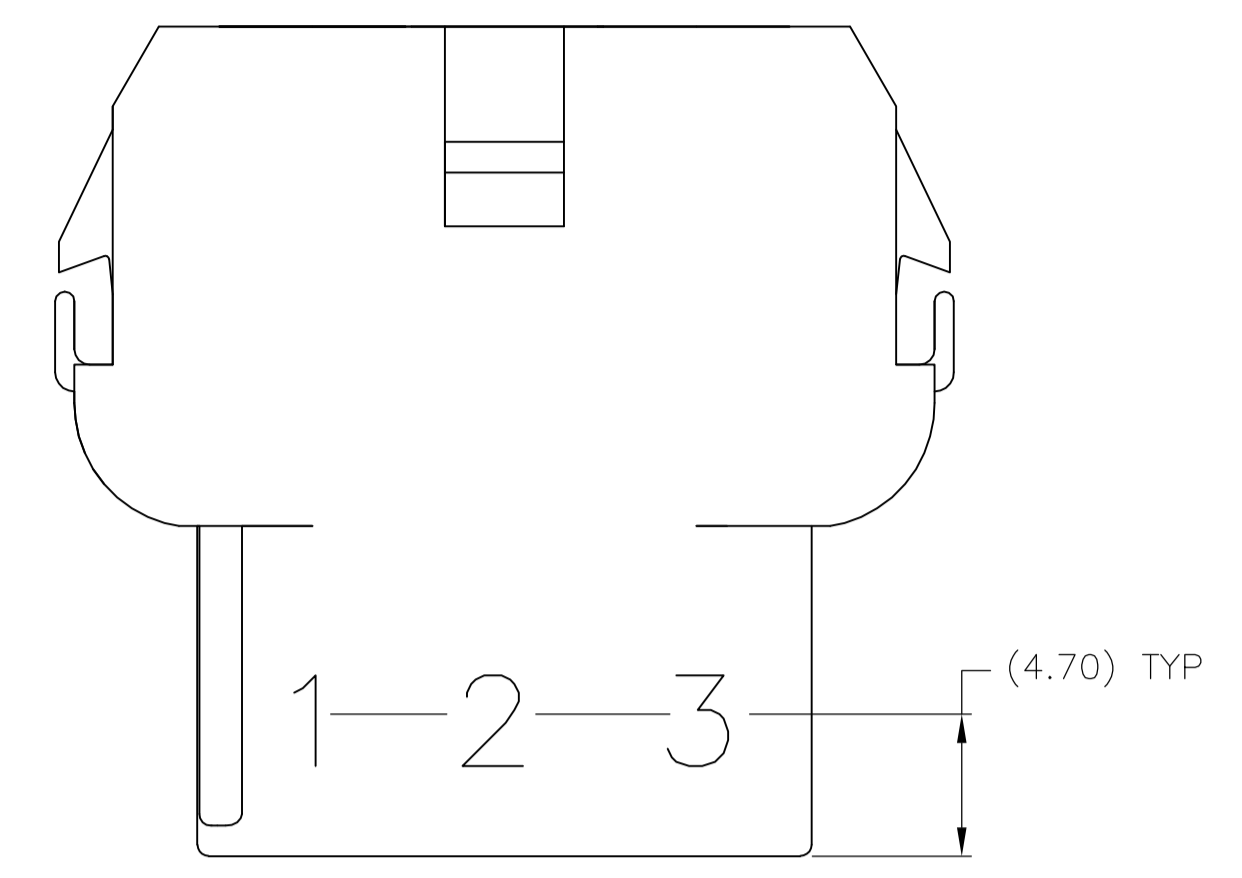
9 SUPERSEDED BY 1-480709-0

THIS DRAWING IS A CONTROLLED DOCUMENT.

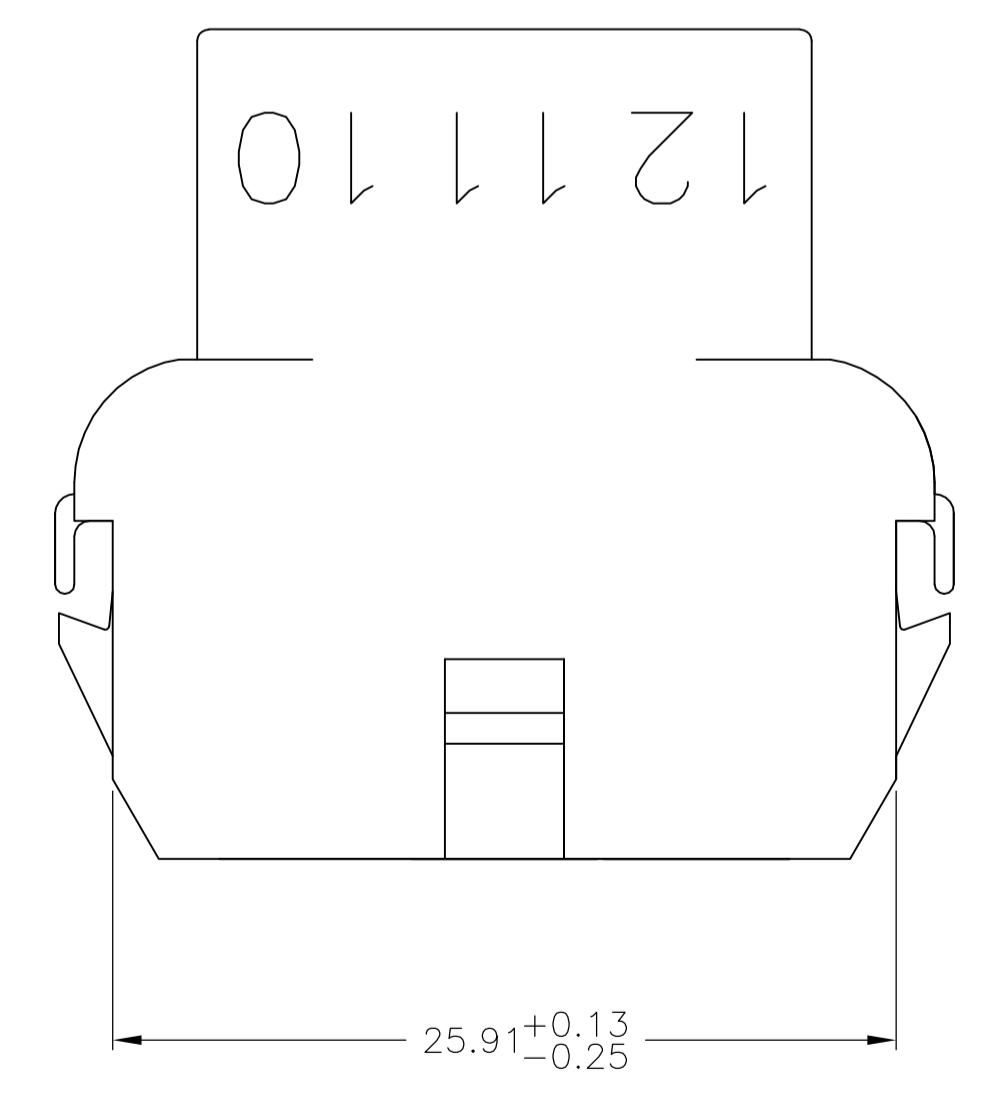
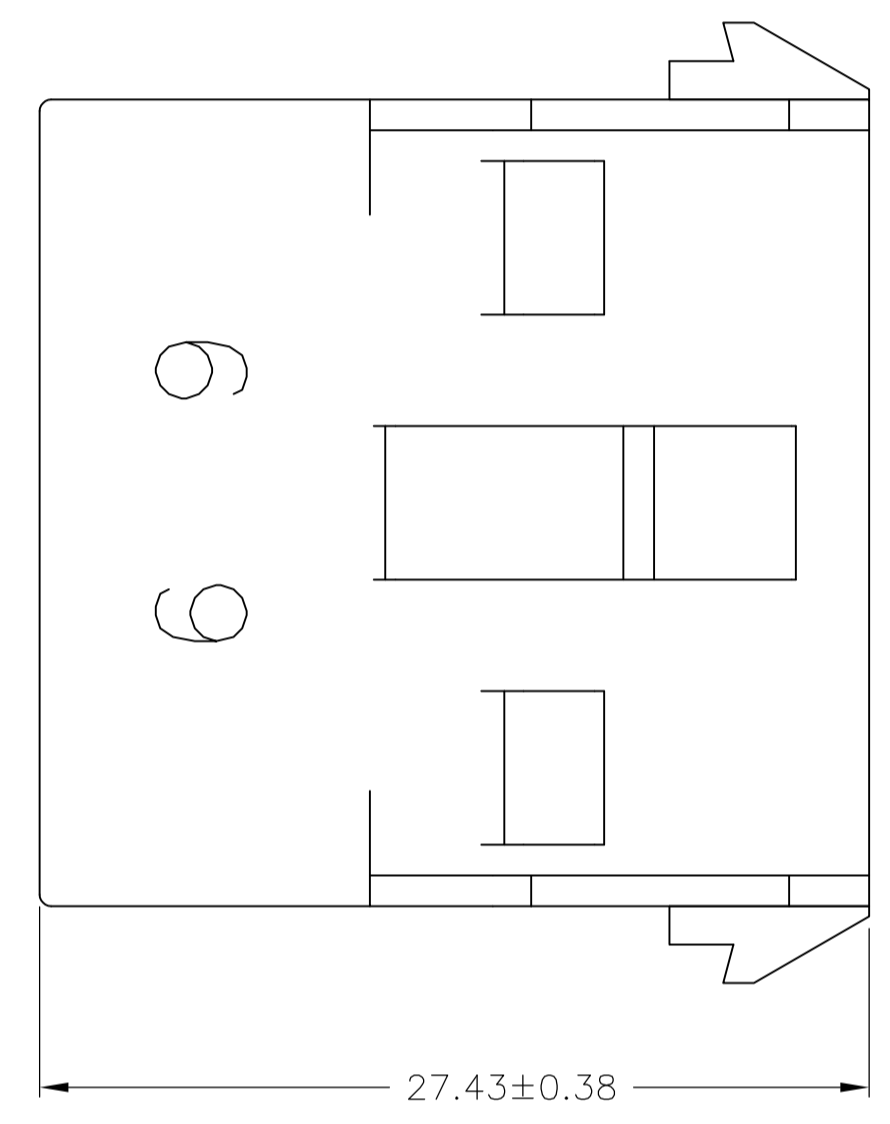
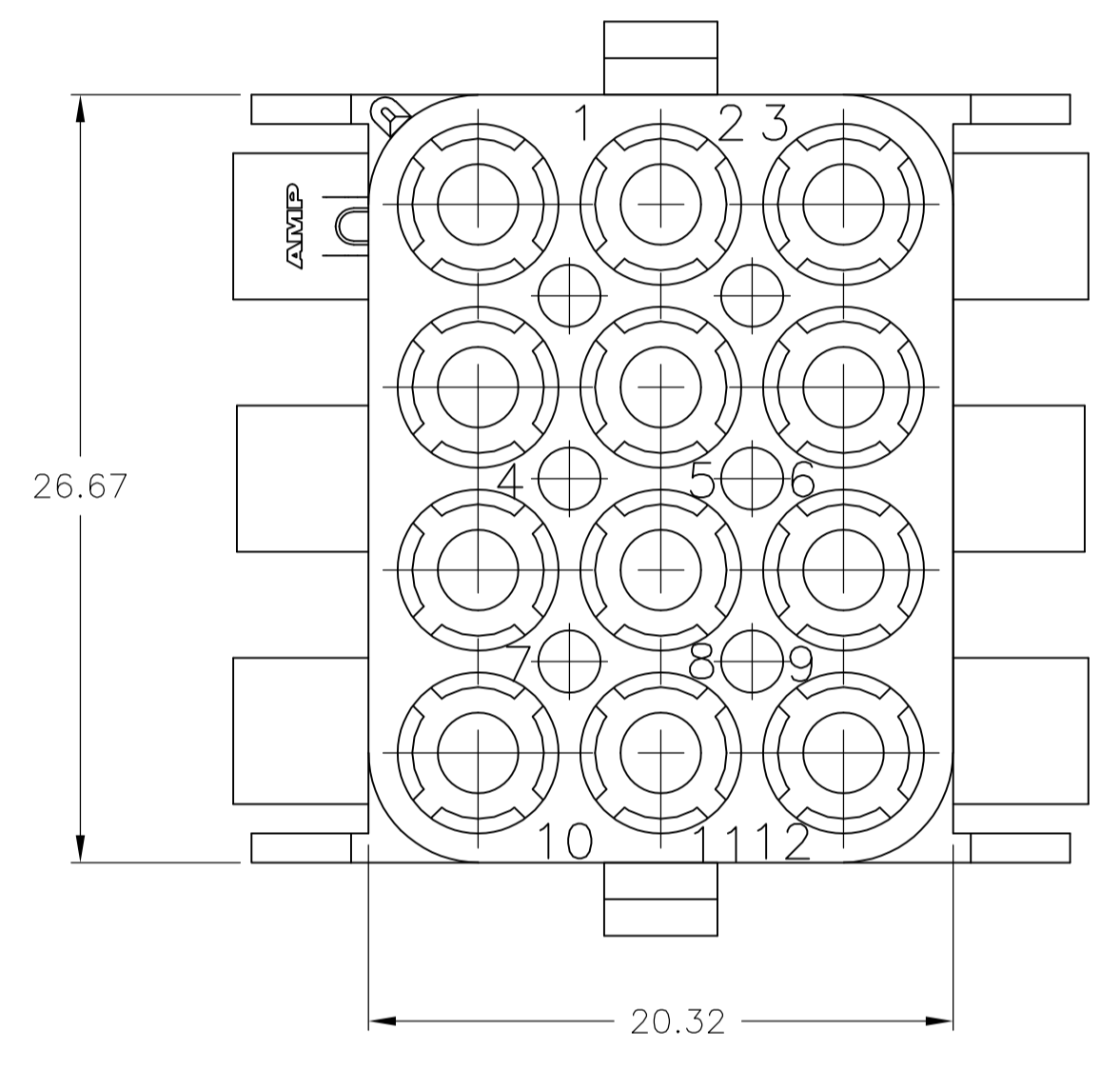
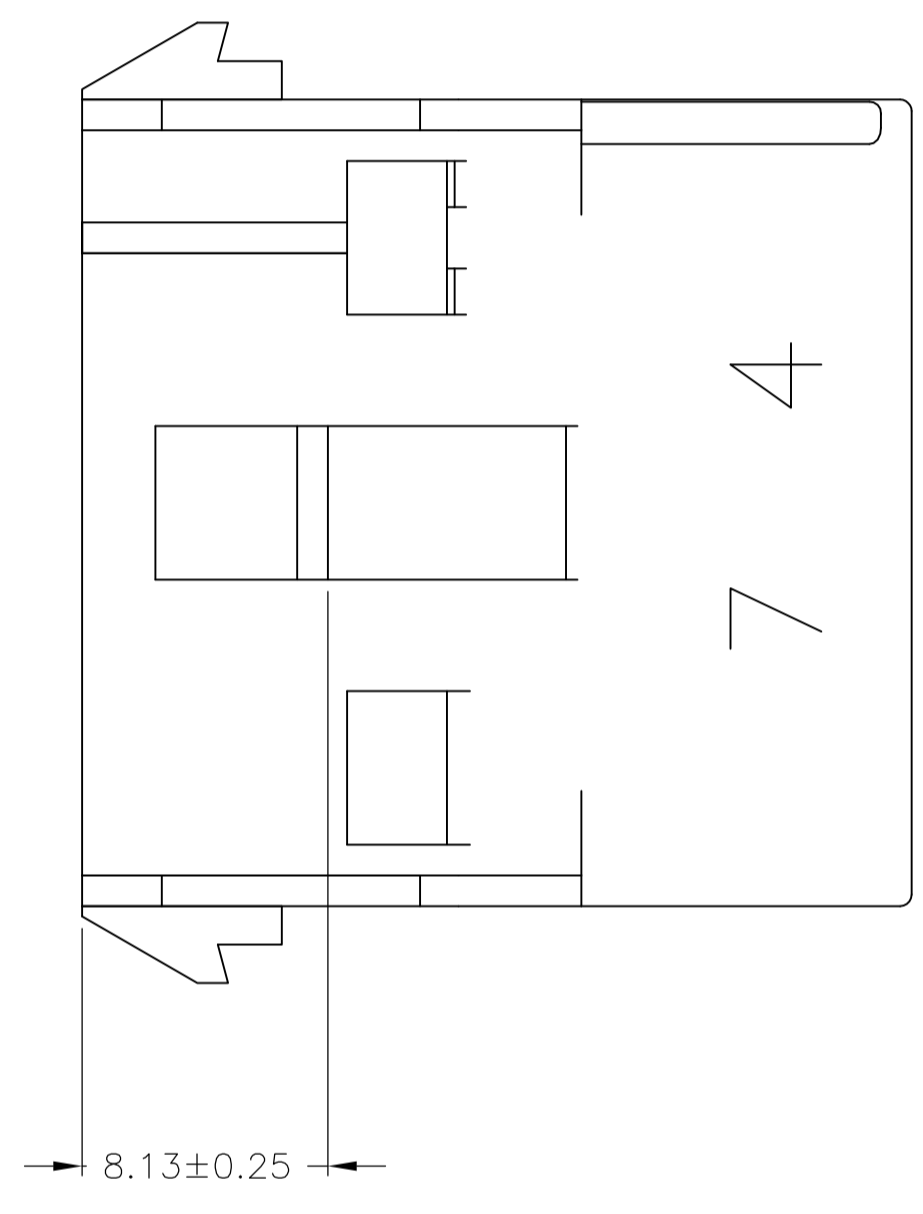
DIMENSIONS: mm	TOLERANCES UNLESS OTHERWISE SPECIFIED:	DIN K. WHITAKER 29JUL2004	NAME
0.13	0.13	CHK S. RIDGILL 29JUL2004	APV S. RIDGILL 29JUL2004
0.25	0.25	PRODUCT SPEC	APPLICATION SPEC
0.38	0.38	SIZE	CAGE CODE
0.76	0.76	DRAWING NO	RESTRICTED TO
1.27	1.27	WEIGHT	
2.54	2.54	CUSTOMER DRAWING	SCALE 4:1 SHEET 1 OF 2 REV AL3

MATERIAL: NYLON, UL94V-2  
FINISH: -  
STE TE Connectivity  
CAP, 12 CIRCUIT, UNIVERSAL MATE-N-LOK™  
A1 00779 C=480709

LOC		DIST		REVISIONS			
P	LTR	DESCRIPTION	DATE	DNW	APVD		
CM	00	SEE SHEET 1					



1. STAMP NUMBERS 3.18 HIGH AT WIRE END OF HOUSING (12 POINT DAVID TYPE); CLARIFICATION MARKS UNDER THE 6 & 9.
2. CHARACTERS TO BE STAMPED ON HOUSING IN A MANNER AS TO BE READ FROM WIRE END ONLY.
3. VIOLET, BLACK, BROWN, AND BLUE COLORED BLOCKS TO BE STAMPED WITH WHITE CHARACTERS. ALL OTHER COLORED BLOCKS TO BE STAMPED WITH BLACK CHARACTERS.



NATURAL	2-480709-0
COLOR	PART NO

MM	IN	MM	IN
5.08	.200	-	-
4.70	.185	27.43	1.080
3.18	.125	26.67	1.050
0.38	.015	25.91	1.020
0.25	.010	20.32	.800
0.13	.005	8.13	.320

CONVERSION TABLE

THIS DRAWING IS A CONTROLLED DOCUMENT.

DIMENSIONS: mm	TOLERANCES UNLESS OTHERWISE SPECIFIED:	DIN K. WHITAKER 29JUL2004	CHK S. RIDGILL 29JUL2004	APVD S. RIDGILL 29JUL2004	NAME
0 PLC ± -	1 PLC ± -	2 PLC ± 0.13	3 PLC ± -	4 PLC ± -	ANGLES ± 0°30'
MATERIAL NYLON, UL94V-2	FINISH -	WEIGHT -	SIZE A1	CAE CODE 00779	DRAWING NO C=480709
CUSTOMER DRAWING			SCALE 1:1	SHEET 2 OF 2	REV AL3

STE TE Connectivity  
CAP, 12 CIRCUIT, UNIVERSAL MATE-N-LOK™

单击下面可查看定价，库存，交付和生命周期等信息

[>>TE Connectivity\(泰科\)](#)