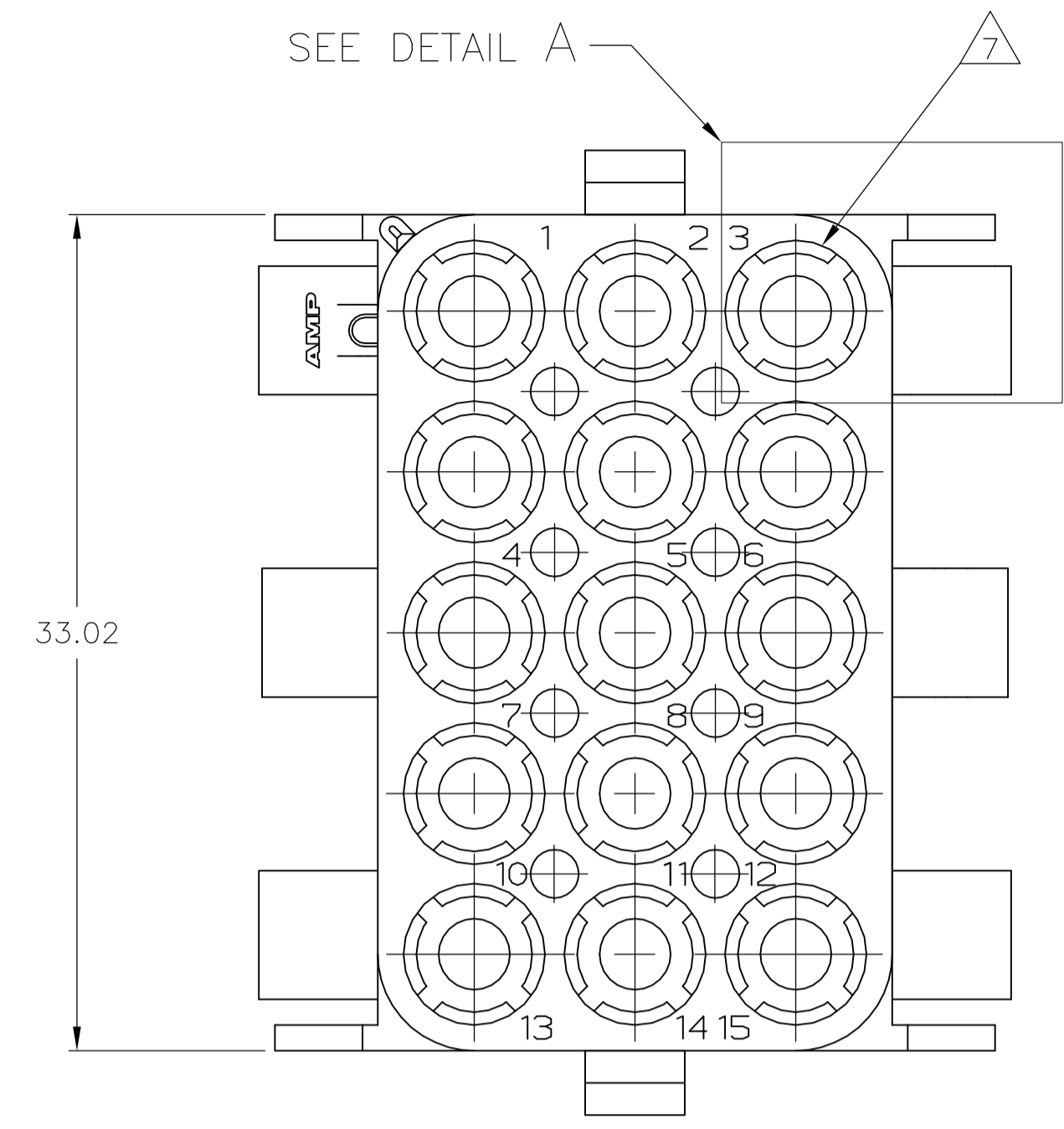
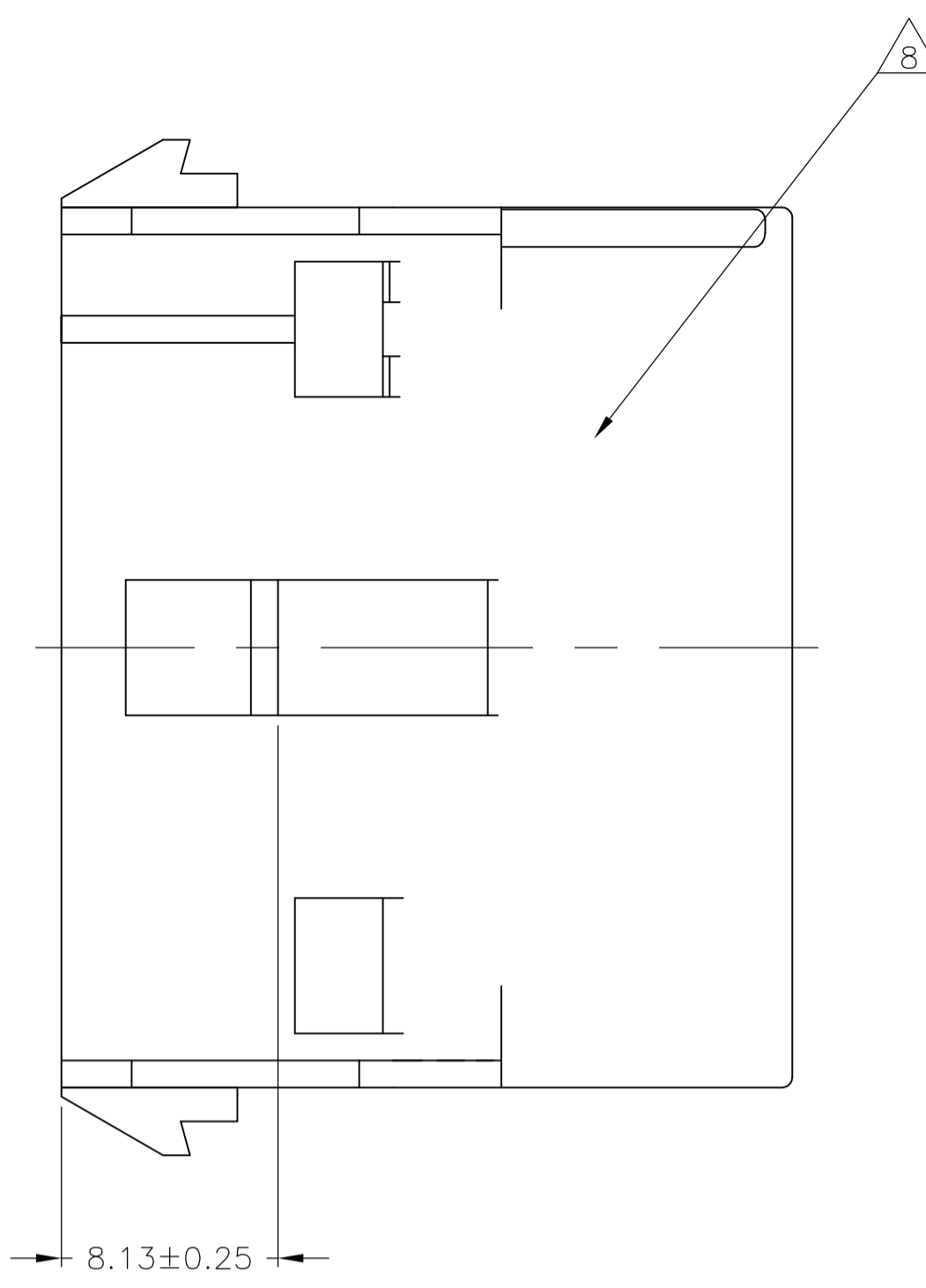
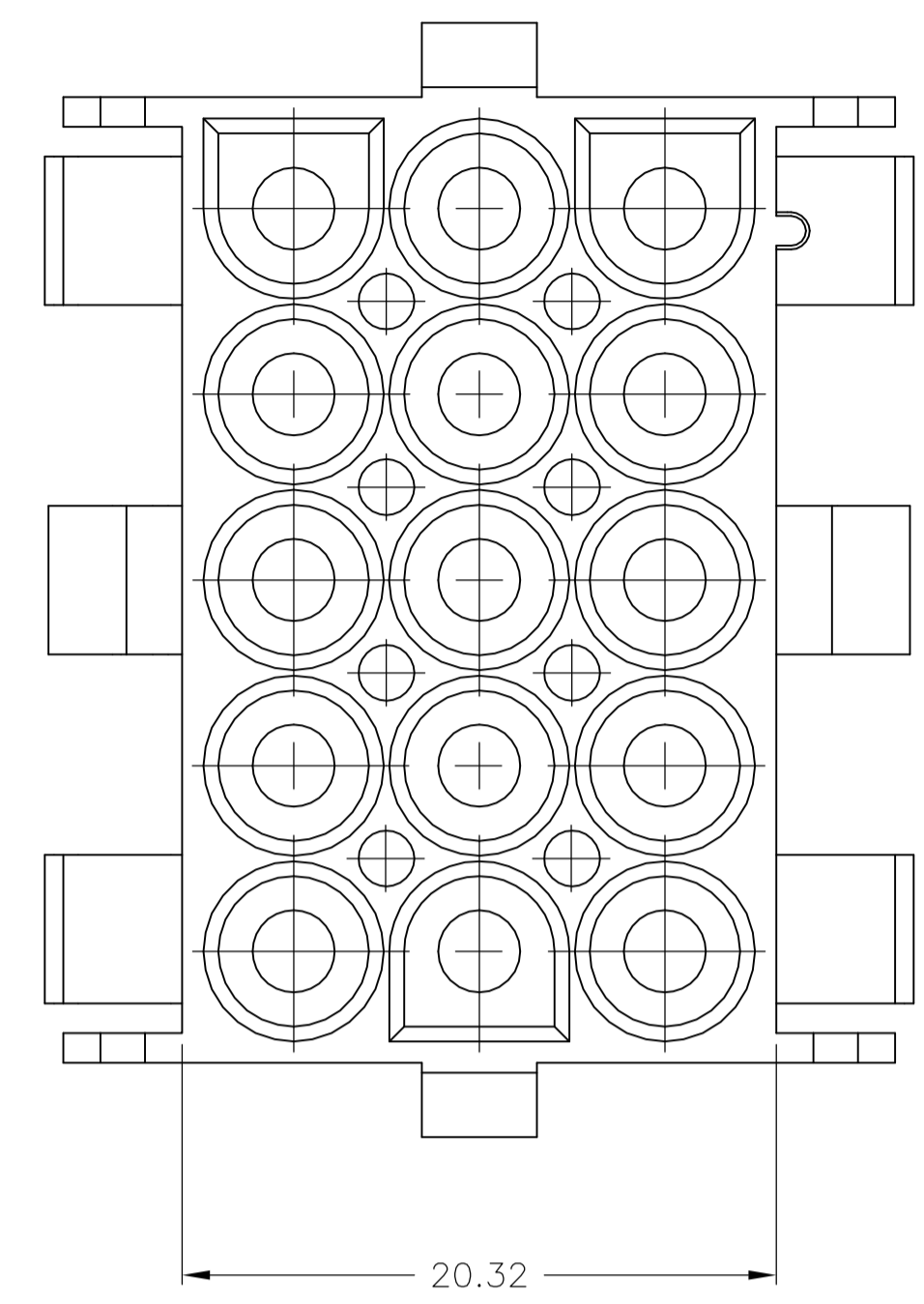
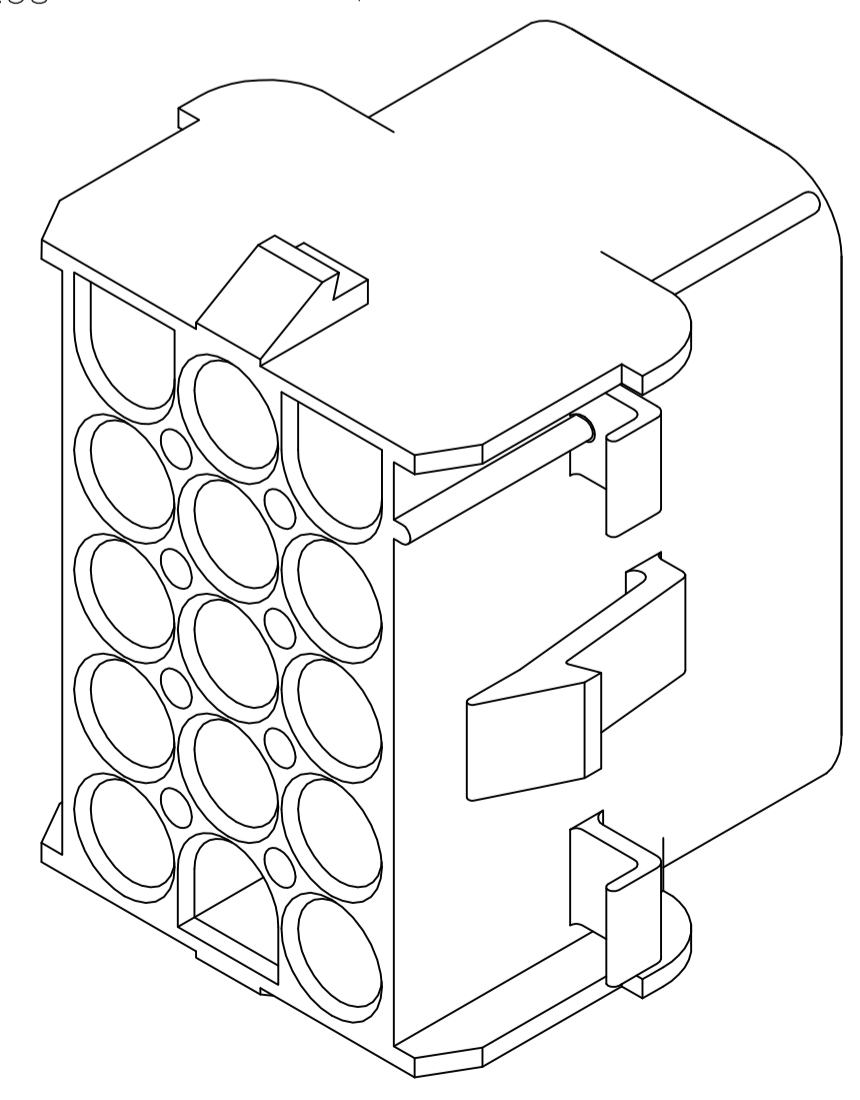
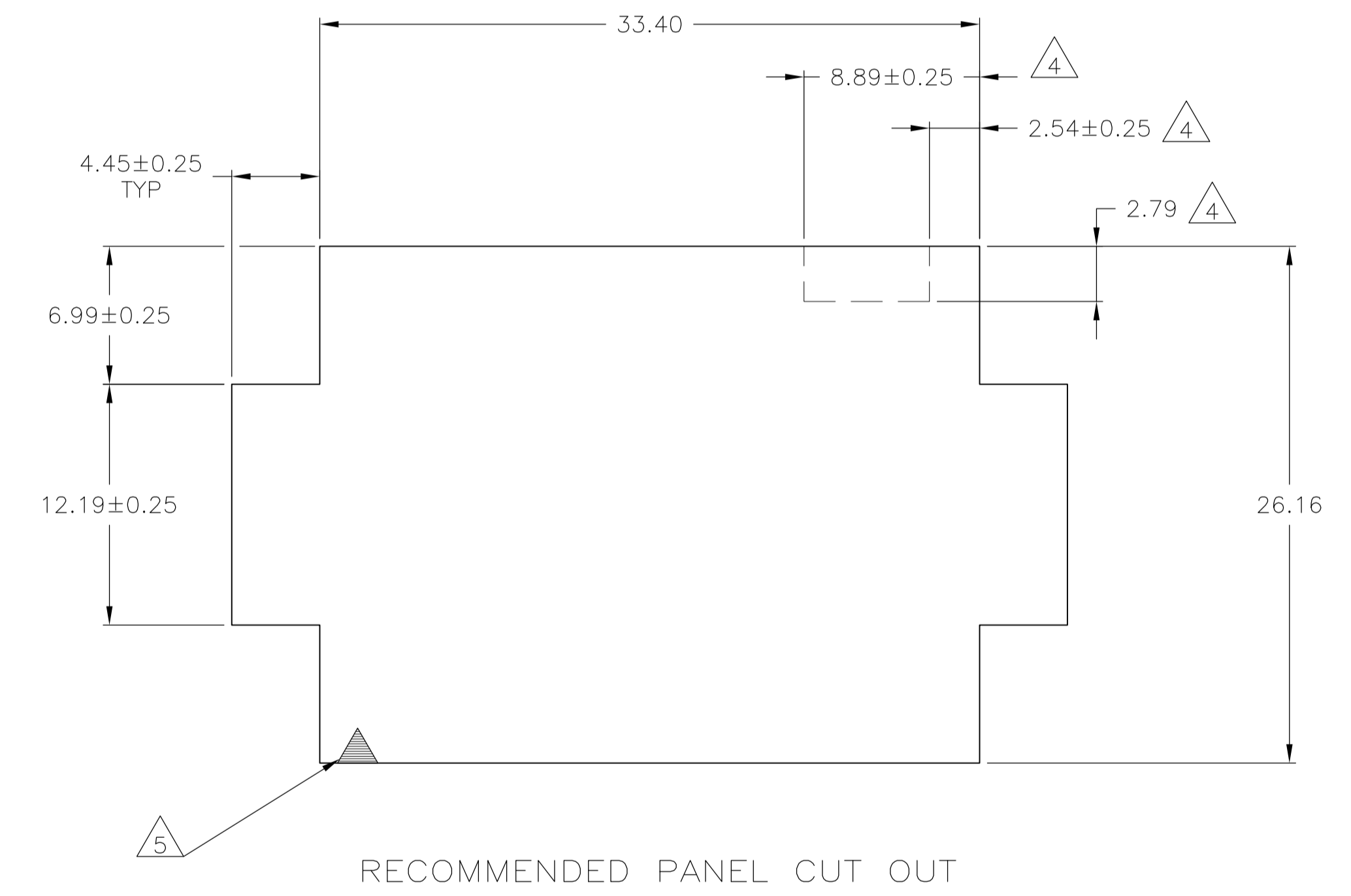
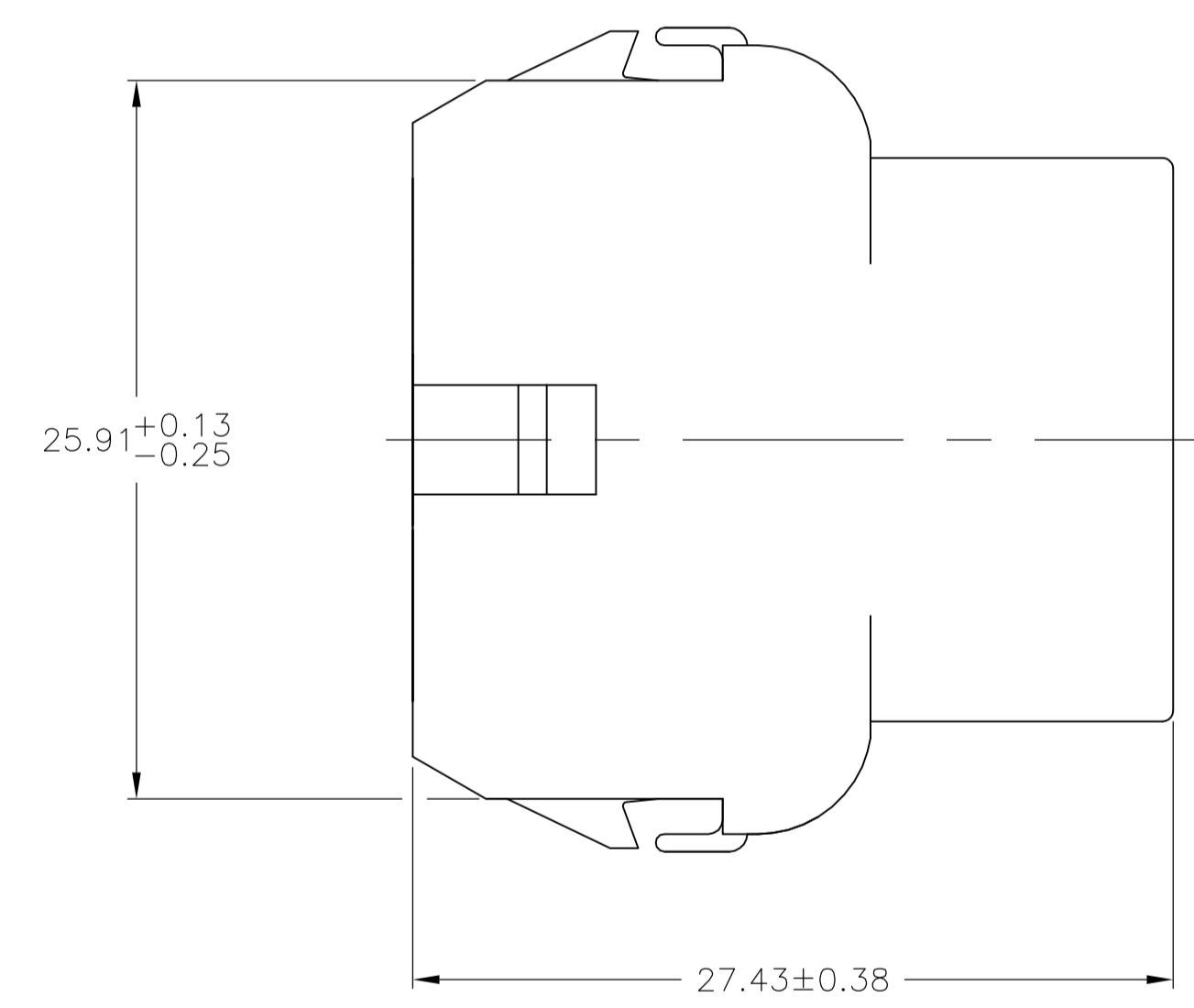
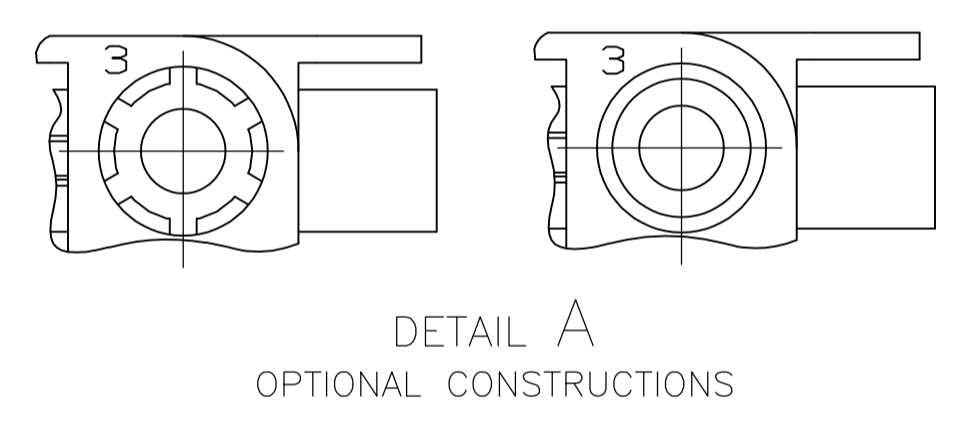


LOC	DIST	REVISIONS				
CM	00	REV	DESCRIPTION	DATE	BY	APPROV
		AJ3	REVISED PER ECR-17-008392	26JUN2017	BW	KR



1. MATES WITH APPROPRIATE UNIVERSAL MATE-N-LOK™ PLUG.
2. RECOMMENDED PANEL THICKNESS 0.76 - 2.29.
3. PANEL MUST BE PUNCHED SO THAT THE HOUSING ENTERS THE PANEL IN THE SAME DIRECTION AS THE PUNCH.
4. OPTIONAL FOR KEYING HOUSING IN PANEL.
5. CIRCUIT NUMBER 1 LOCATION.
6. DIMENSIONS SHOWN REPRESENT PRODUCT IN DRY, AS MOLDED, CONDITION. ADDITIONAL 2% GROWTH DUE TO SUBSEQUENT MOISTURE ABSORPTION MAY OCCUR AND SHOULD BE ACCOUNTED FOR.
7. FOUR RIBS EQUALLY SPACED, NO SPECIFIC ORIENTATION. NO RIBS OR SIX RIBS EQUALLY SPACED, NO SPECIFIC ORIENTATION, OPTIONAL.
8. UNDERWRITERS RECOGNIZED COMPONENT LOGO AND CSA CERTIFICATION LOGO TO BE LOCATED ONCE EACH ON SIDE OF HOUSING.
9. OBSOLETE PARTS: OBSOLETE CIS STREAMLINING PER D.RENAUD/D.SINISI



6.99	.275	33.40	1.315
4.45	.175	33.02	1.300
2.79	.110	27.43	1.080
2.54	.100	26.16	1.030
2.29	.090	25.91	1.020
0.76	.030	20.32	.800
0.38	.015	12.19	.480
0.25	.010	8.89	.350
0.13	.005	8.13	.320
MM	IN	MM	IN

CONVERSION TABLE

Color	Part No
BLACK	1-480711-9
GRAY	1-480711-8
BLUE	1-480711-6
GREEN	1-480711-5
YELLOW	1-480711-4
ORANGE	1-480711-3
RED	1-480711-2
BROWN	1-480711-1
NATURAL	1-480711-0
COLOR	PART NO

9. OBSOLETE

9. SUPERSEDED BY 1-480711-0

9. SUPERSEDED BY 1-480711-0

THIS DRAWING IS A CONTROLLED DOCUMENT.

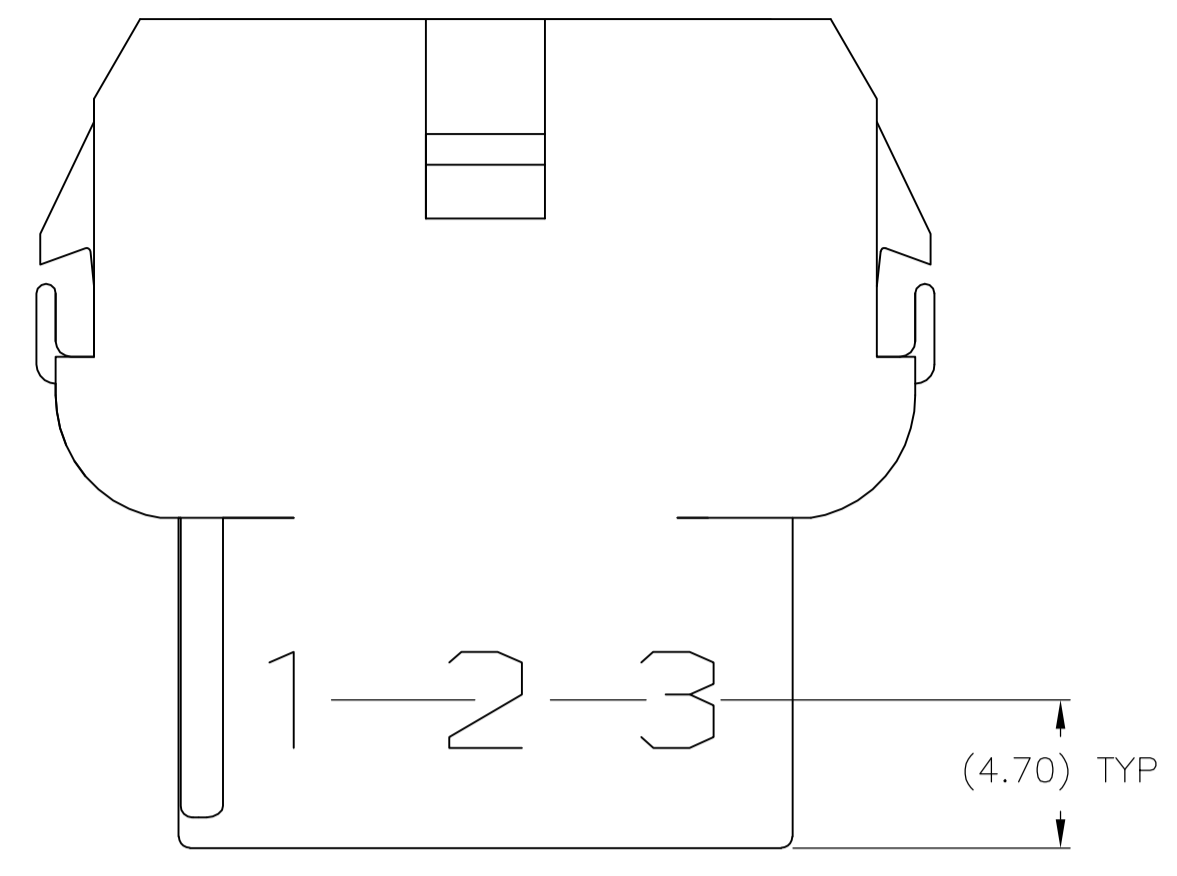
DIMENSIONS: mm	TOLERANCES UNLESS OTHERWISE SPECIFIED:	DIN K. WHITAKER 29JUL2004	NAME
0. PLC ± -	1. PLC ± -	CHK S. RIDGILL 29JUL2004	APPROVED S. RIDGILL 29JUL2004
2. PLC ± ± 0.13	3. PLC ± ± -	PRODUCT SPEC	APPLICATION SPEC
4. PLC ± ± -	ANGLES ± 0°30'	SIZE	CAGE CODE
MATERIAL NYLON. UL94V-2	FINISH -	WEIGHT	DRAWING NO
			RESTRICTED TO

STE TE Connectivity

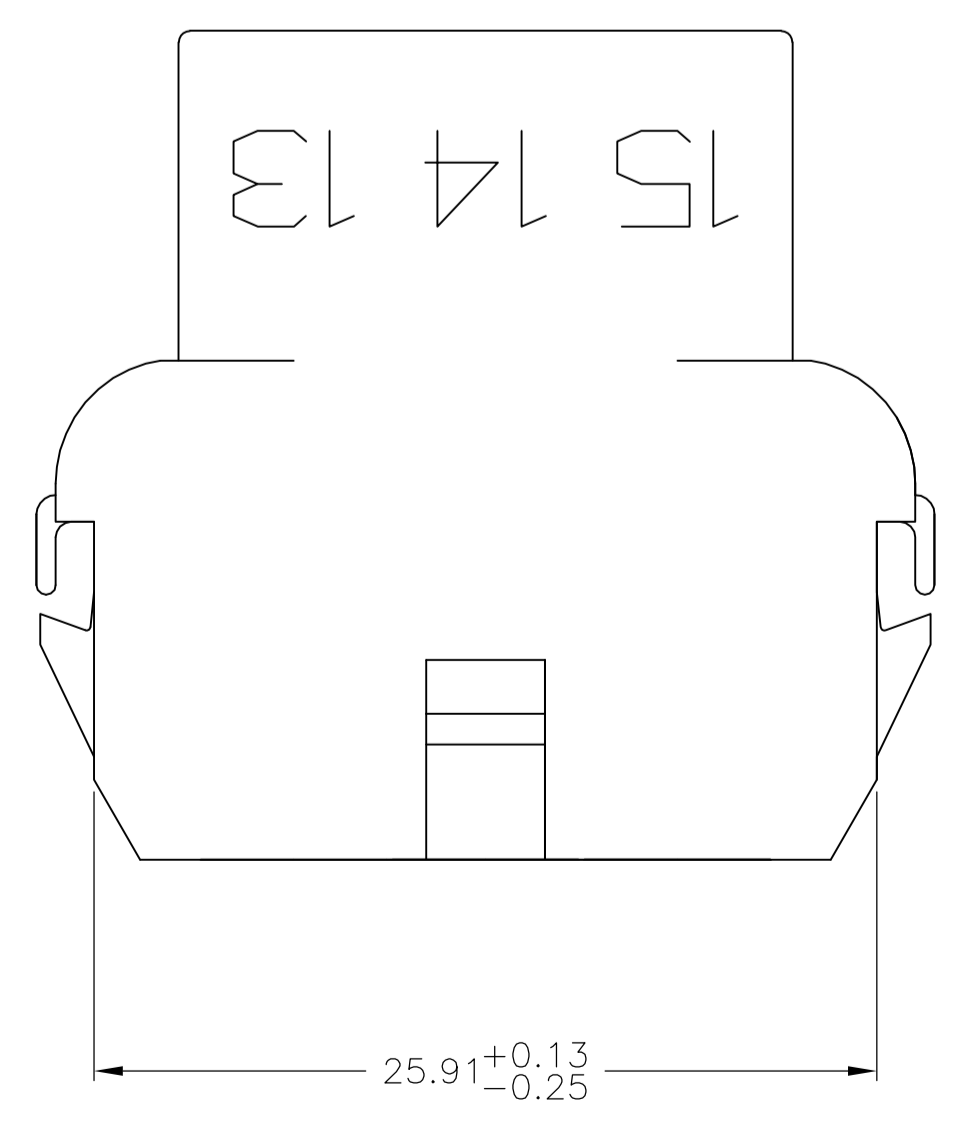
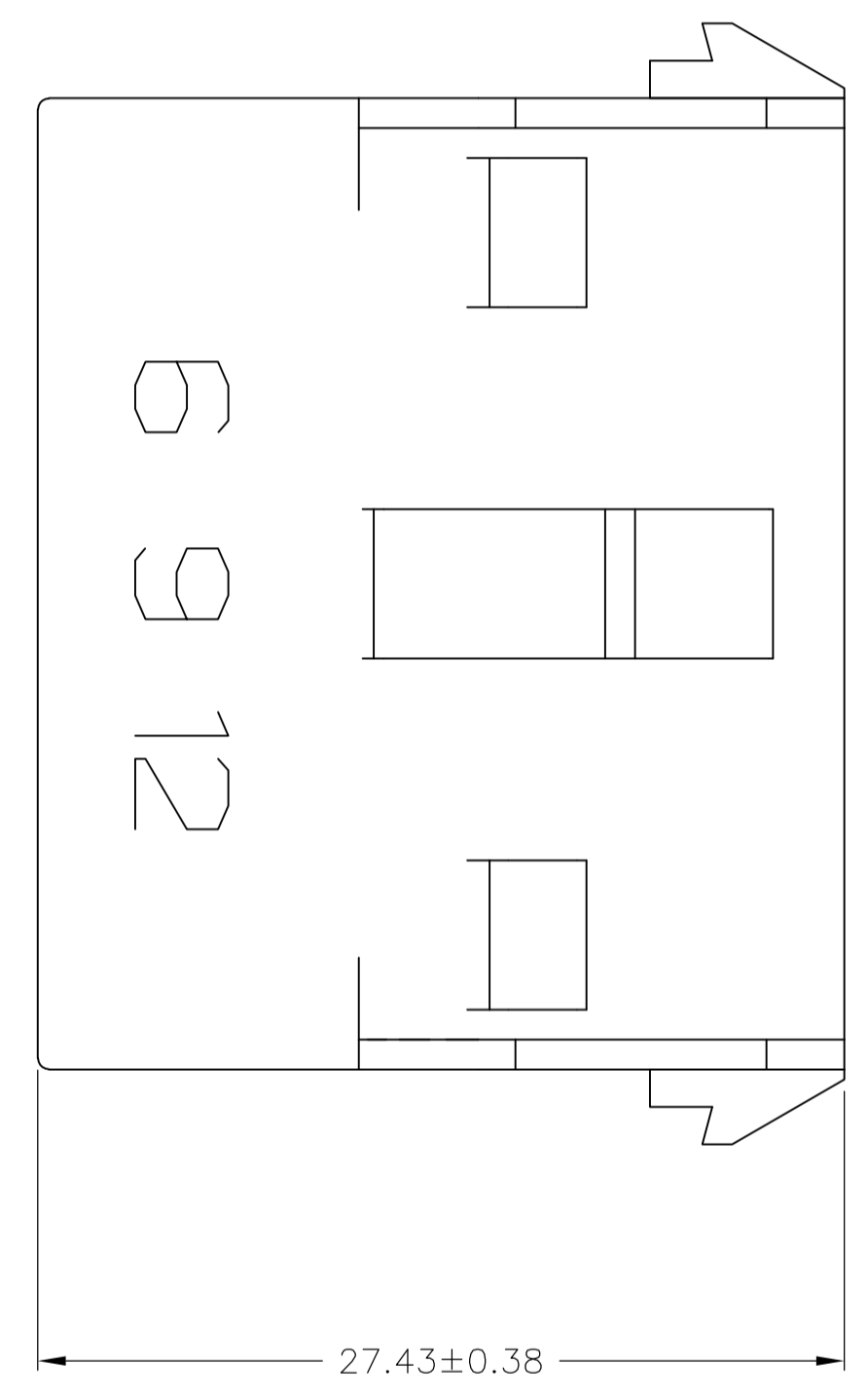
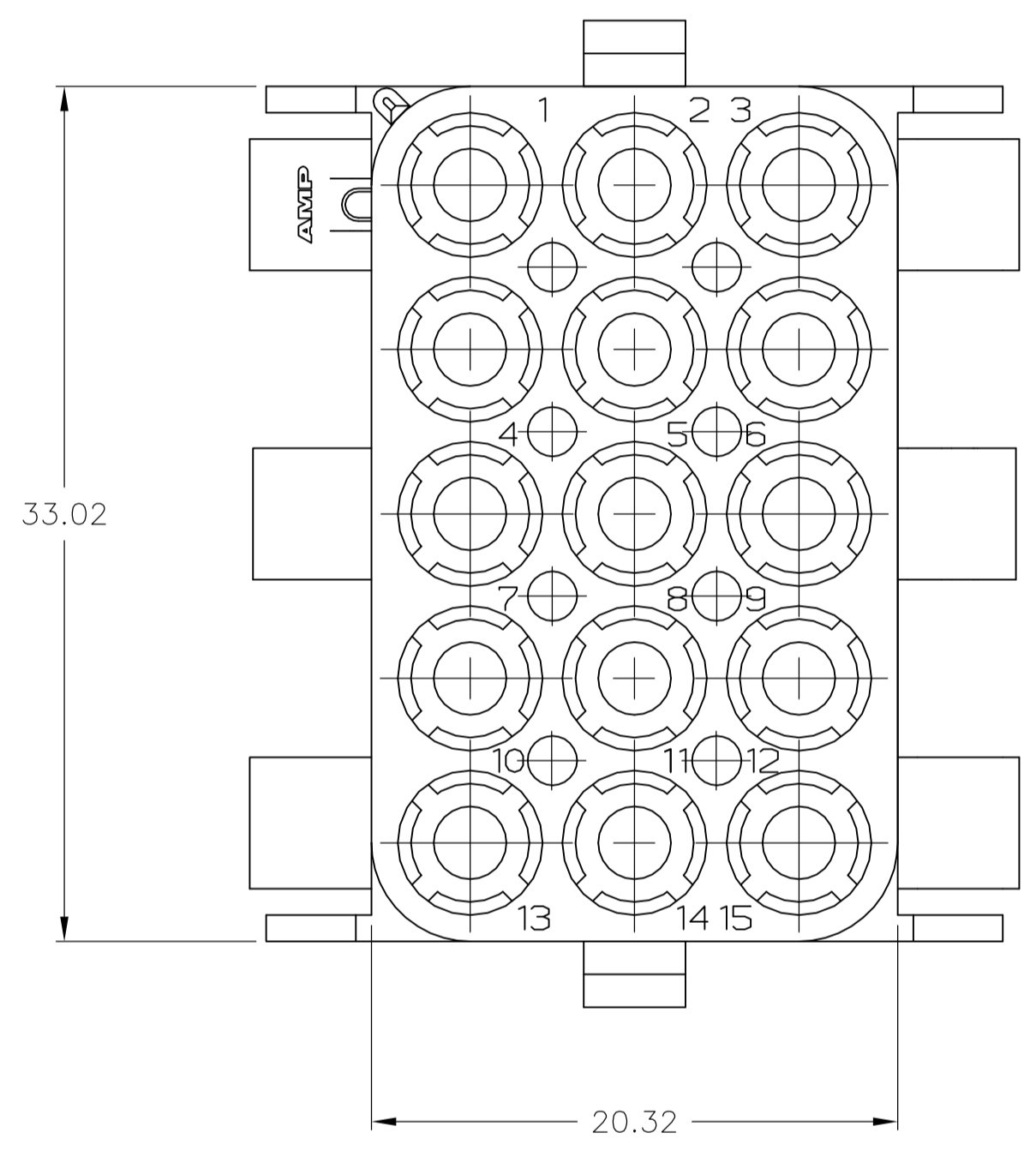
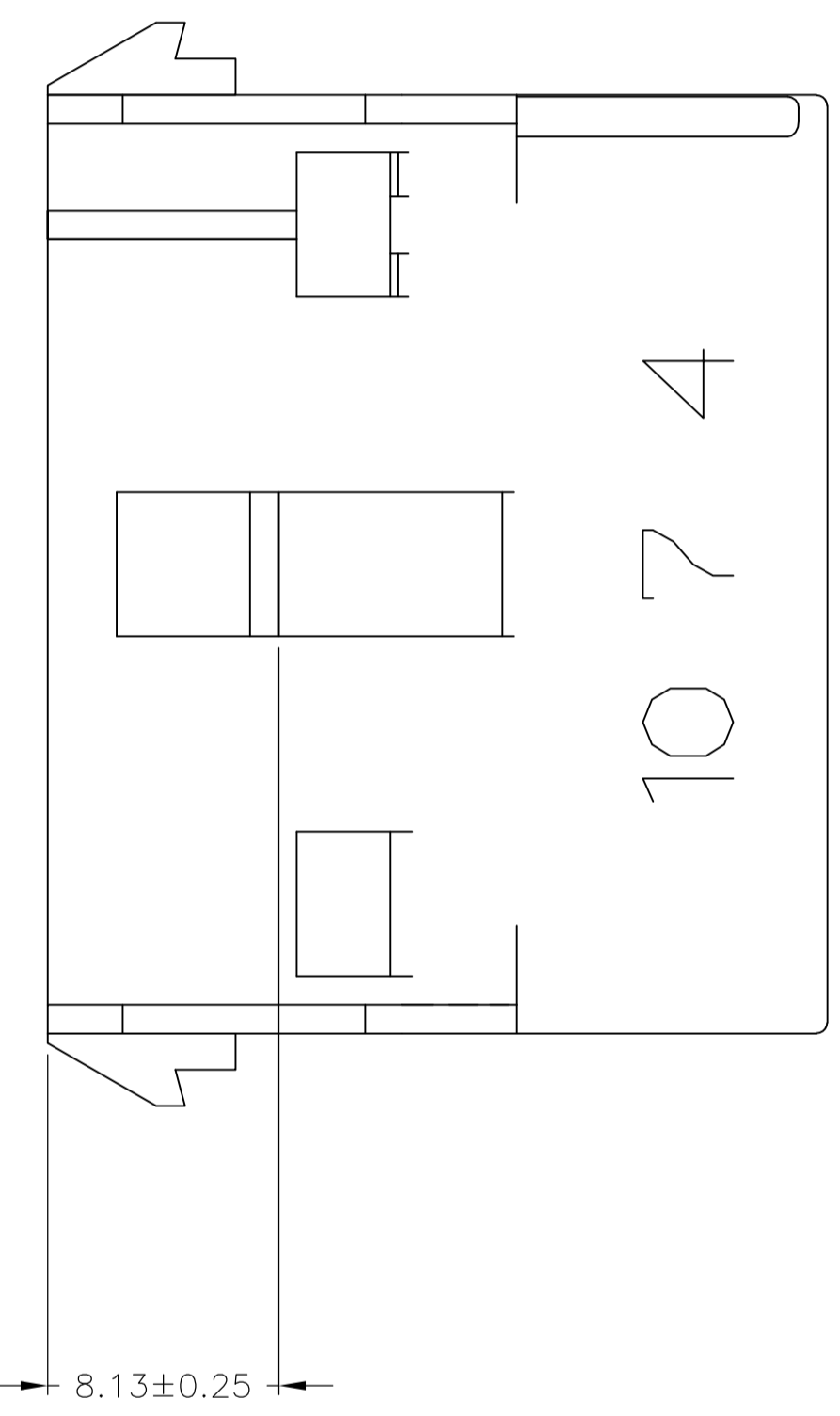
CAP, 15 CIRCUIT, UNIVERSAL MATE-N-LOK™

SCALE 4:1 SHEET 1 OF 2 REV AJ3

LOC		DIST		REVISIONS			
CM	00	#	LTR	DESCRIPTION	DATE	OWN	APVD
-	-	-	-	SEE SHEET 1	-	-	-



1. STAMP NUMBERS 3.18 HIGH AT WIRE END OF HOUSING (12 POINT DAVID TYPE); CLARIFICATION MARKS UNDER THE 6 & 9.
2. CHARACTERS TO BE STAMPED ON HOUSING IN A MANNER AS TO BE READ FROM WIRE END ONLY.
3. VIOLET, BLACK, BROWN, AND BLUE COLORED BLOCKS TO BE STAMPED WITH WHITE CHARACTERS. ALL OTHER COLORED BLOCKS TO BE STAMPED WITH BLACK CHARACTERS.



MM	IN	MM	IN
5.08	.200	-	-
4.70	.185	33.02	1.300
3.18	.125	27.43	1.080
0.38	.015	25.91	1.020
0.25	.010	20.32	.800
0.13	.005	8.13	.320

CONVERSION TABLE

NATURAL	2-480711-0
COLOR	PART NO

THIS DRAWING IS A CONTROLLED DOCUMENT.

DWN: K. WHITAKER	28JUL2004	TE Connectivity CAP, 15 CIRCUIT, UNIVERSAL MATE-N-LOK TM	RESTRICTED TO		
CHK: S. RIDGILL	28JUL2004				
APVD: S. RIDGILL	28JUL2004				
NAME					
DIMENSIONS:	TOLERANCES UNLESS OTHERWISE SPECIFIED:	SIZE	CAGE CODE	DRAWING NO	
mm	0 PLC ± -	A1	-	480711	
	1 PLC ± -				
	2 PLC ± 0.13				
	3 PLC ± -				
	4 PLC ± -				
	ANGLES ± 0°30'				
MATERIAL	FINISH	WEIGHT			
NYLON UL94V-2	-	-			
CUSTOMER DRAWING		SCALE	4:1	SHEET	2 OF 2
		REV	AJ3		

单击下面可查看定价，库存，交付和生命周期等信息

[>>TE Connectivity\(泰科\)](#)