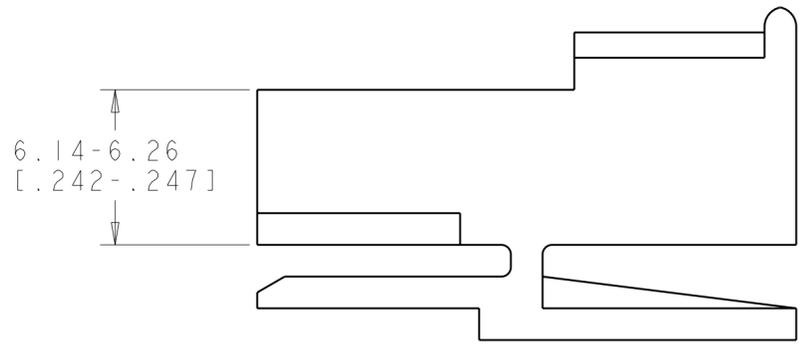
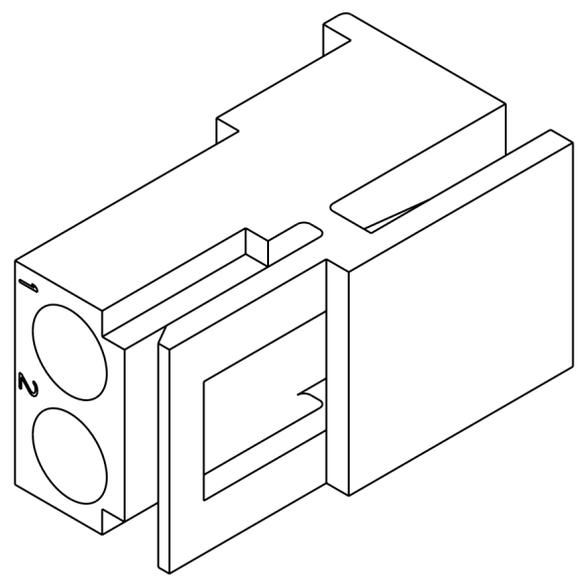
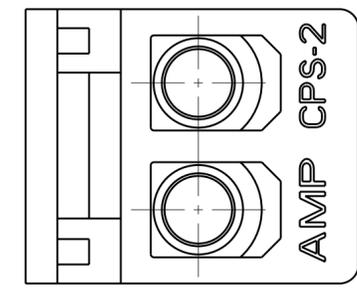
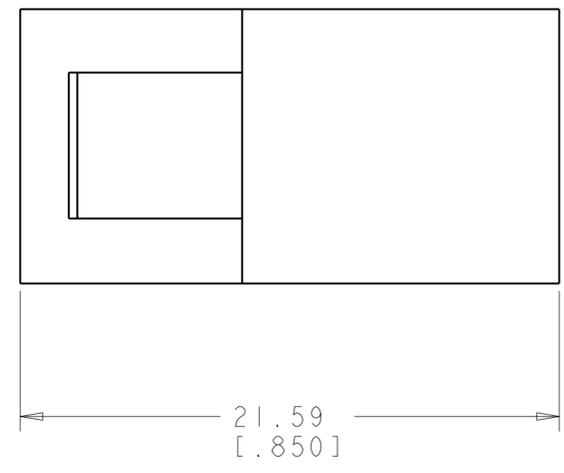
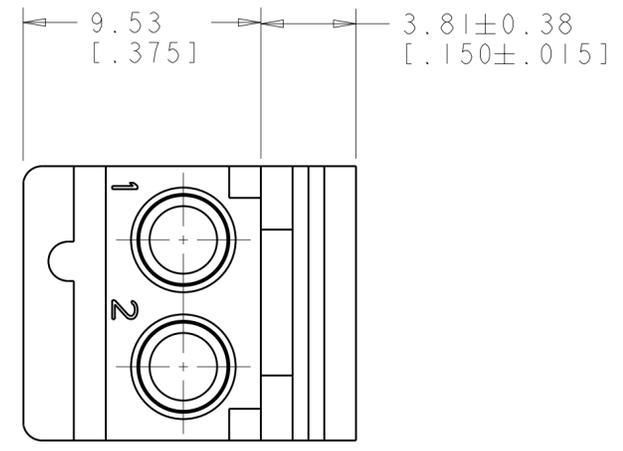


THIS DRAWING IS UNPUBLISHED. RELEASED FOR PUBLICATION 20
 © COPYRIGHT 20 BY - ALL RIGHTS RESERVED.

LOC	DIST	REVISIONS			
P	LTR	DESCRIPTION	DATE	DWN	APVD
CM	00	J1	REVISD PER ECO-11-005027	18MAR2011	RK HMR



1. MATES WITH HEADER 350539, 350540.
2. TO BE USED WITH COMMERCIAL MATE-N-LOK™ SOCKETS.
3. MATES WITH CAP HOUSING 794012.



0.078 IN ³	1-480720-0
VOLUME	PART NUMBER



THIS DRAWING IS A CONTROLLED DOCUMENT.		DWN K. WHITAKER 27FEB2008	STE TE Connectivity	
DIMENSIONS: mm [INCHES]		CHK C. CASH 27FEB2008		
TOLERANCES UNLESS OTHERWISE SPECIFIED:		APVD C. CASH 27FEB2008	NAME PLUG, 2 CIRCUIT, COMMERCIAL MATE-N-LOK(TM)	
0 PLC ± -	1 PLC ± -	PRODUCT SPEC	SIZE	RESTRICTED TO
2 PLC ± 0.13 [.005]	3 PLC ± -	APPLICATION SPEC	A2	-
4 PLC ± -	ANGLES ± 0°30'	WEIGHT	CAGE CODE	DRAWING NO
FINISH			00779	480720
MATERIAL NYLON, NATURAL		CUSTOMER DRAWING	SCALE 5:1	SHEET 1 OF 1 REV J1

单击下面可查看定价，库存，交付和生命周期等信息

[>>TE Connectivity\(泰科\)](#)