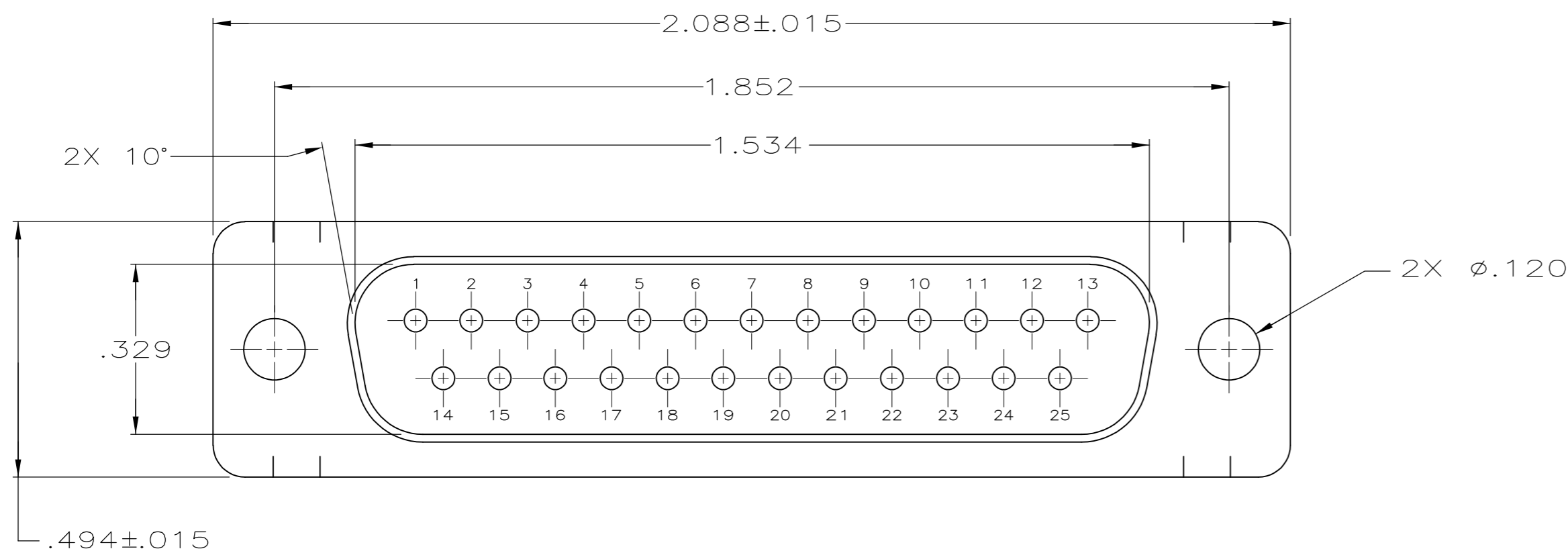
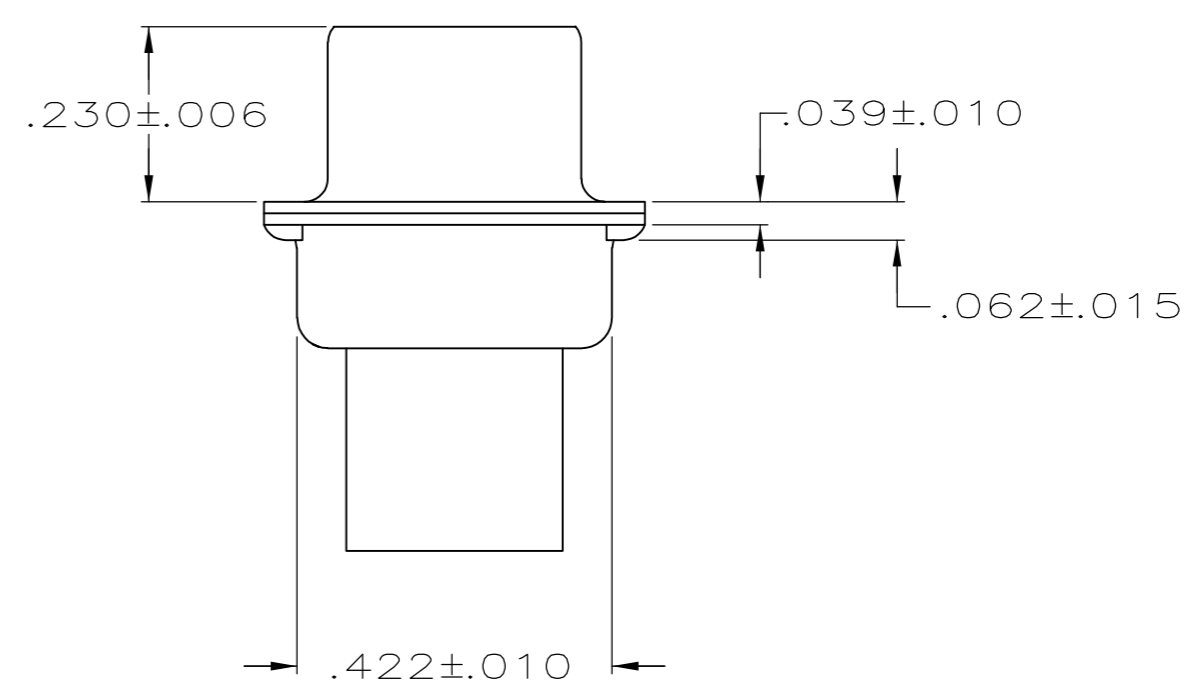
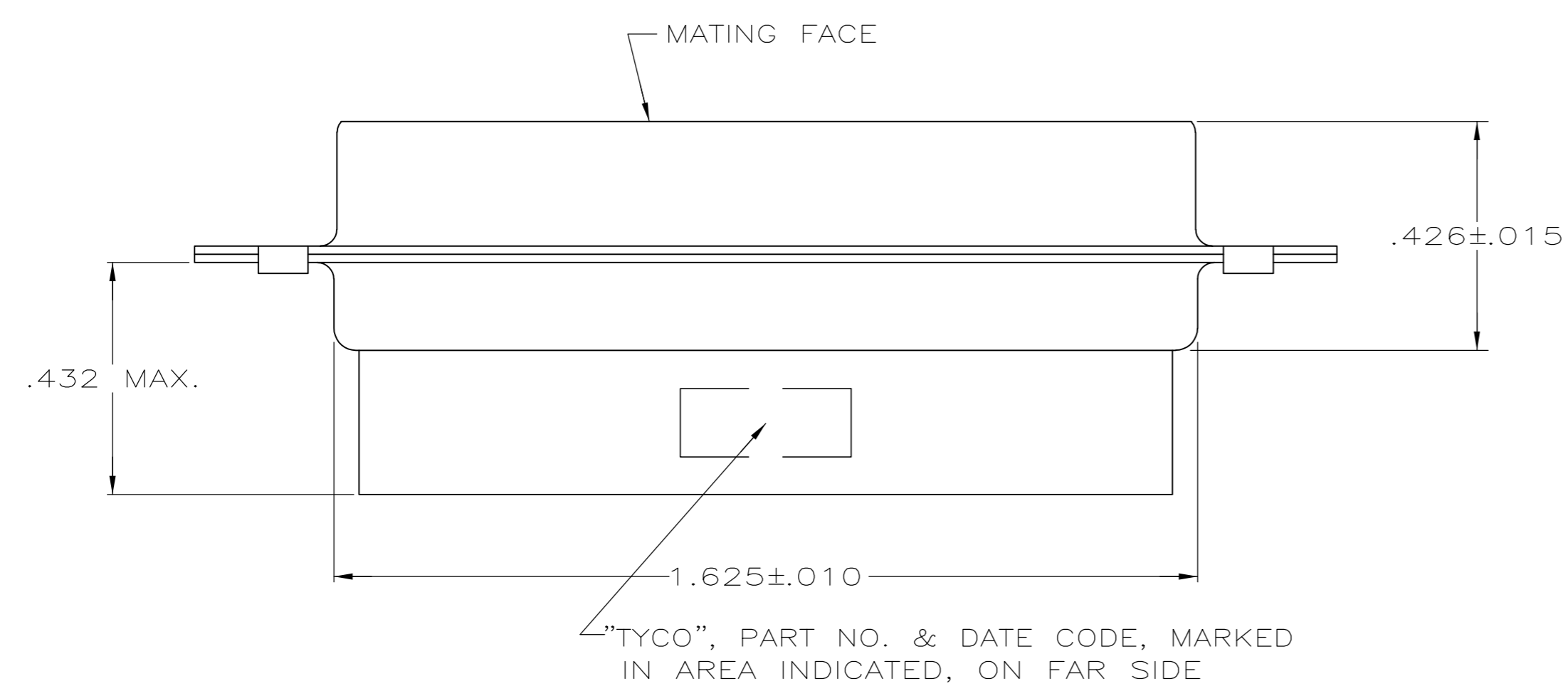


THIS DRAWING IS UNPUBLISHED. RELEASED FOR PUBLICATION
 © COPYRIGHT - By - ALL RIGHTS RESERVED.

LOC		DIST		REVISIONS			
P	LTR	DESCRIPTION	DATE	DWN	APVD		
GP	00	B	REVISED PER ECO-14-011808	09AUG2014	AP	SB	



- CONNECTOR ACCEPTS SIZE 20 DF PIN CONTACTS, RETENTION TINES ARE AN INTEGRAL PART OF INSERT.
 - CONNECTOR COMPLIES WITH AMP SPEC. 108-40005 WHERE APPLICABLE.
- 3 MATERIAL:
 MOLDED PARTS: GLASS-FILLED PBT OR GLASS-FILLED NYLON, UL94V-0 RATED. COLOR: BLACK
 SHELLS: STEEL.
- 4 FINISH:
 SHELLS: ZINC PLATED .000200-.000400 THICK, YELLOW CHROMATE COATING.



STANDARD	5205208-1
PACKAGING TYPE	PART NUMBER

**COPYRIGHT 2005
 TYCO ELECTRONICS CORP
 ALL RIGHTS RESERVED**

THIS DRAWING IS A CONTROLLED DOCUMENT.		DWN B. MCMASTER 08SEP05	TE Connectivity	
DIMENSIONS: INCHES		CHK C. ROHDE 08SEP05	NAME	
TOLERANCES UNLESS OTHERWISE SPECIFIED:		APVD M. WALMSLEY 08SEP05	PLUG CONNECTOR, SIZE 3, 25 POS., AMPLIMITE HDP	
0 PLC ± -		PRODUCT SPEC	SIZE	RESTRICTED TO
1 PLC ± -		APPLICATION SPEC	CAGE CODE	
2 PLC ± -			DRAWING NO	
3 PLC ± .005			SCALE	
4 PLC ± -			00779	
ANGLES ± 2°		WEIGHT	5205208	
MATERIAL	FINISH	CUSTOMER DRAWING	SHEET	REV
3	4	NTS	1 of 1	B

单击下面可查看定价，库存，交付和生命周期等信息

[>>TE Connectivity\(泰科\)](#)

[>>点击查看相关商品](#)