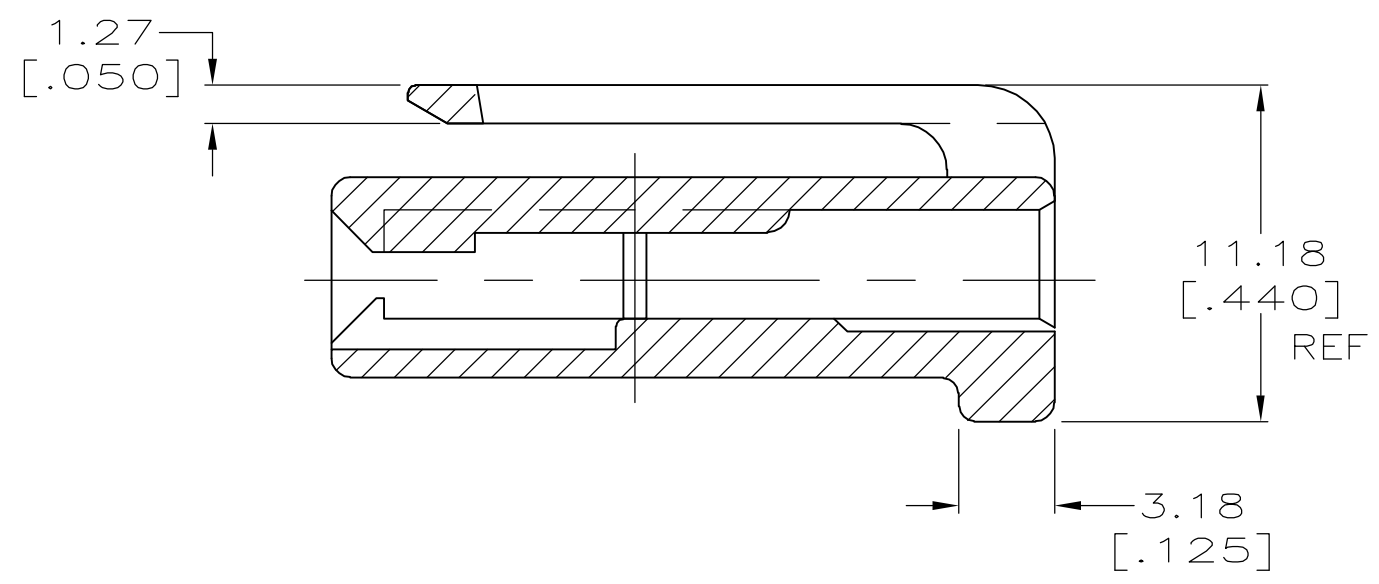
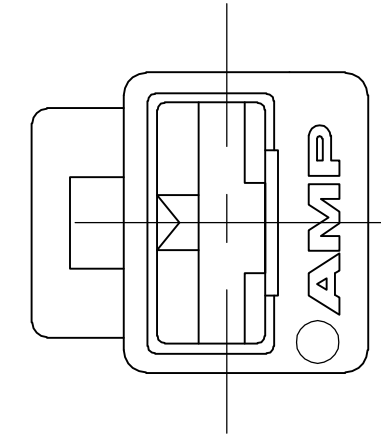
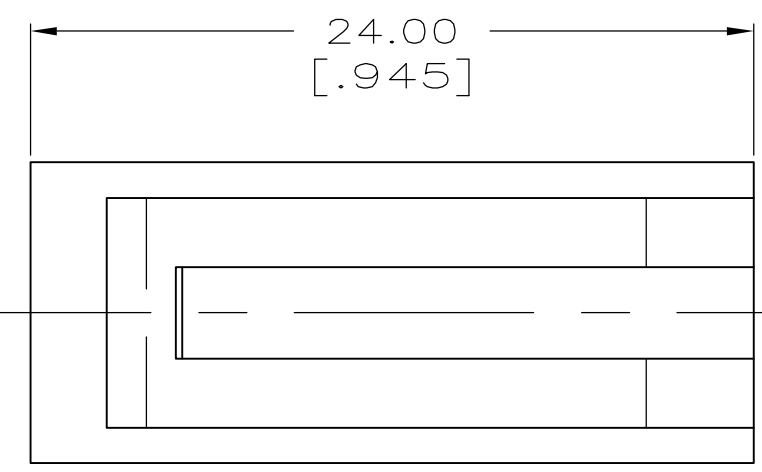
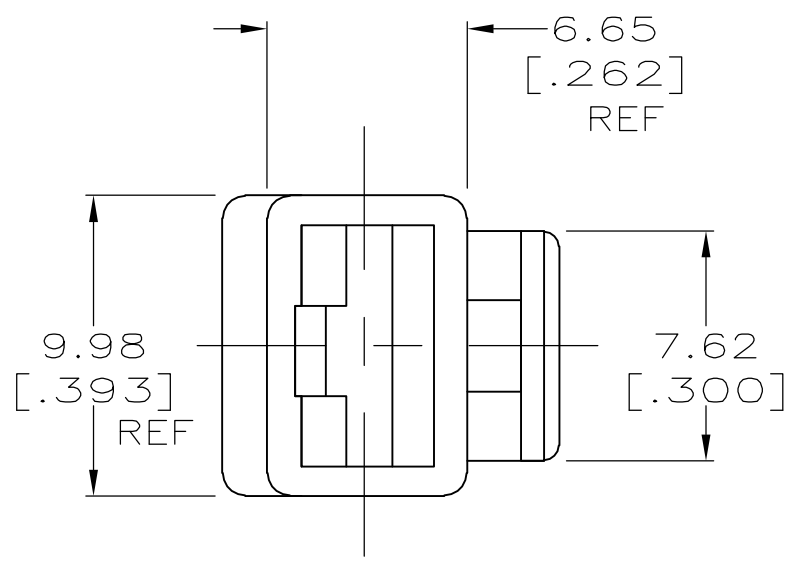


THIS DRAWING IS UNPUBLISHED. RELEASED FOR PUBLICATION
 © COPYRIGHT BY TYCO ELECTRONICS CORPORATION. ALL RIGHTS RESERVED.

LOC	DIST	REVISIONS					
AF	50	P	LTR	DESCRIPTION	DATE	DWN	APVD
			A1	REVISED PER ECR 05-014705	09NOV05	JR	KR



521743-1
PART NO.

THIS DRAWING IS A CONTROLLED DOCUMENT.		DWN	JR RUTH	11MAR99		Tyco Electronics Corporation	
DIMENSIONS: mm [INCHES]		CHK	MS FEHER	11MAR99		Harrisburg, PA 17105-3608	
		APVD	S UNGER	11MAR99		NAME	
TOLERANCES UNLESS OTHERWISE SPECIFIED:		PRODUCT SPEC			HOUSING, RECEPT, FASTIN-FASTON, 6.35 [.250] SERIES		
0 PLC ± - 1 PLC ± - 2 PLC ± 0.25 [.010] 3 PLC ± - 4 PLC ± - ANGLES ± -		APPLICATION SPEC			SIZE	CAGE CODE	DRAWING NO
MATERIAL		WEIGHT			A3	00779	C=521743
6/6 NYLON		FINISH			RESTRICTED TO		
NATURAL		CUSTOMER DRAWING			SCALE	SHEET	REV
					4:1	1 of 1	A1

单击下面可查看定价，库存，交付和生命周期等信息

[>>TE Connectivity\(泰科\)](#)