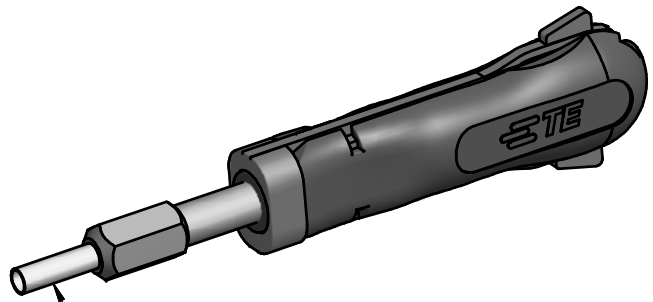
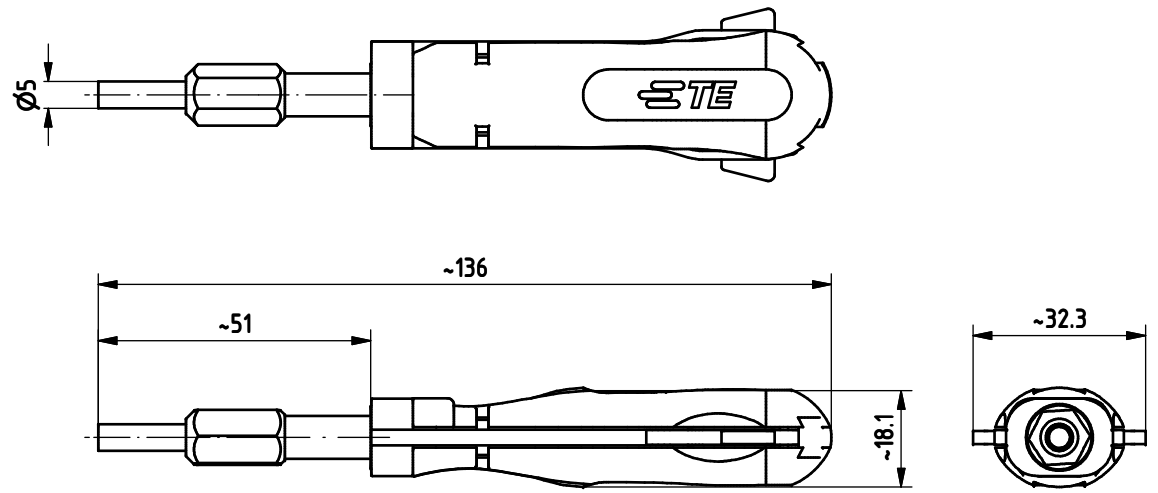


LOC	DIST	REVISIONS					
AI	00	P	LTR	DESCRIPTION	DATE	DWN	APVD
		B2		ECR-16-009527	01JUL16	KH	RG

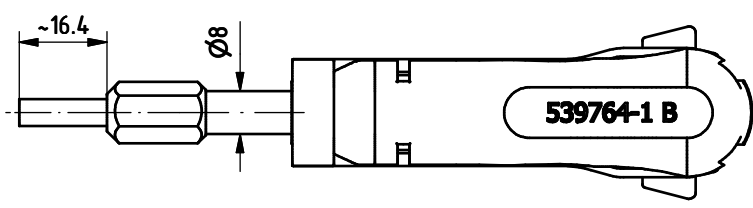


SPARE PART / Ersatzteil
 TE- P/N 5-1579007-9



APPLICATION RANGE / Anwendungsbereich:

Contact MNL Ø 3.5mm 925712



THIS DRAWING IS A CONTROLLED DOCUMENT.		DWN	J. Zajicek	16 JAN03	TE Connectivity EXTRACTION TOOL Entriegelungswerkzeug				
DIMENSIONS: mm		CHK	J. Zajicek	16 JAN03					
		APVD	J. Zajicek	16 JAN03					
TOLERANCES UNLESS OTHERWISE SPECIFIED:		PRODUCT SPEC		NAME					
0 PLC ± 1 PLC + 2 PLC + 3 PLC + 4 PLC ± ANGLES ±		APPLICATION SPEC		SIZE	RESTRICTED TO				
MATERIAL		Gewicht / Weight in Kg		A3	CAGE CODE	DRAWING NO	00779	539764-1	
FINISH		0.025		SCALE		SHEET	1 OF 1	REV	B2
CUSTOMER DRAWING									

单击下面可查看定价，库存，交付和生命周期等信息

[>>TE Connectivity\(泰科\)](#)