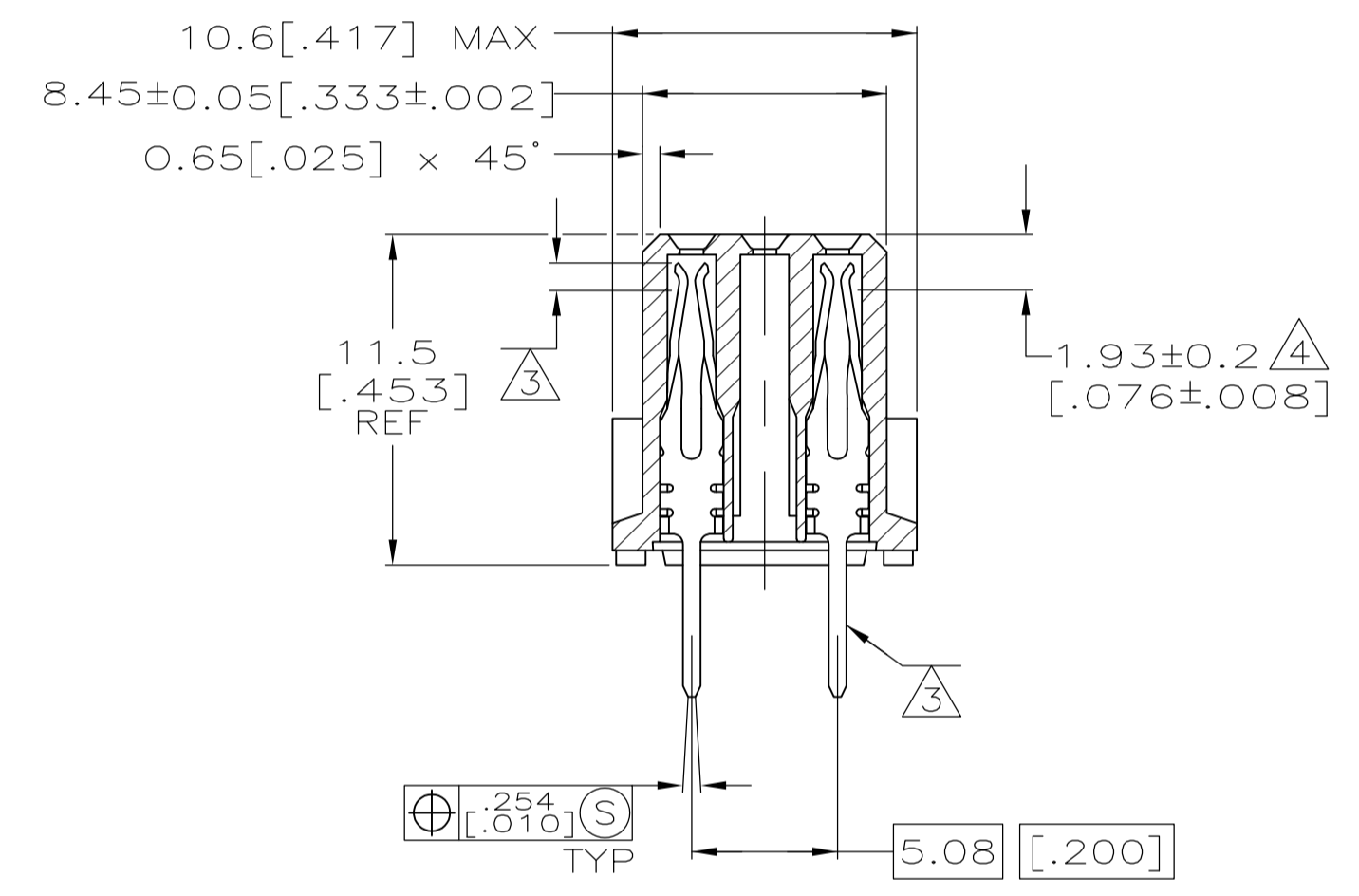
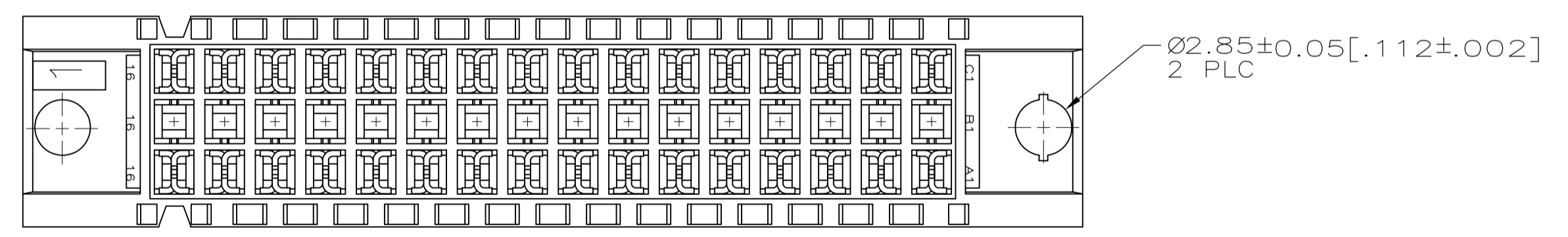
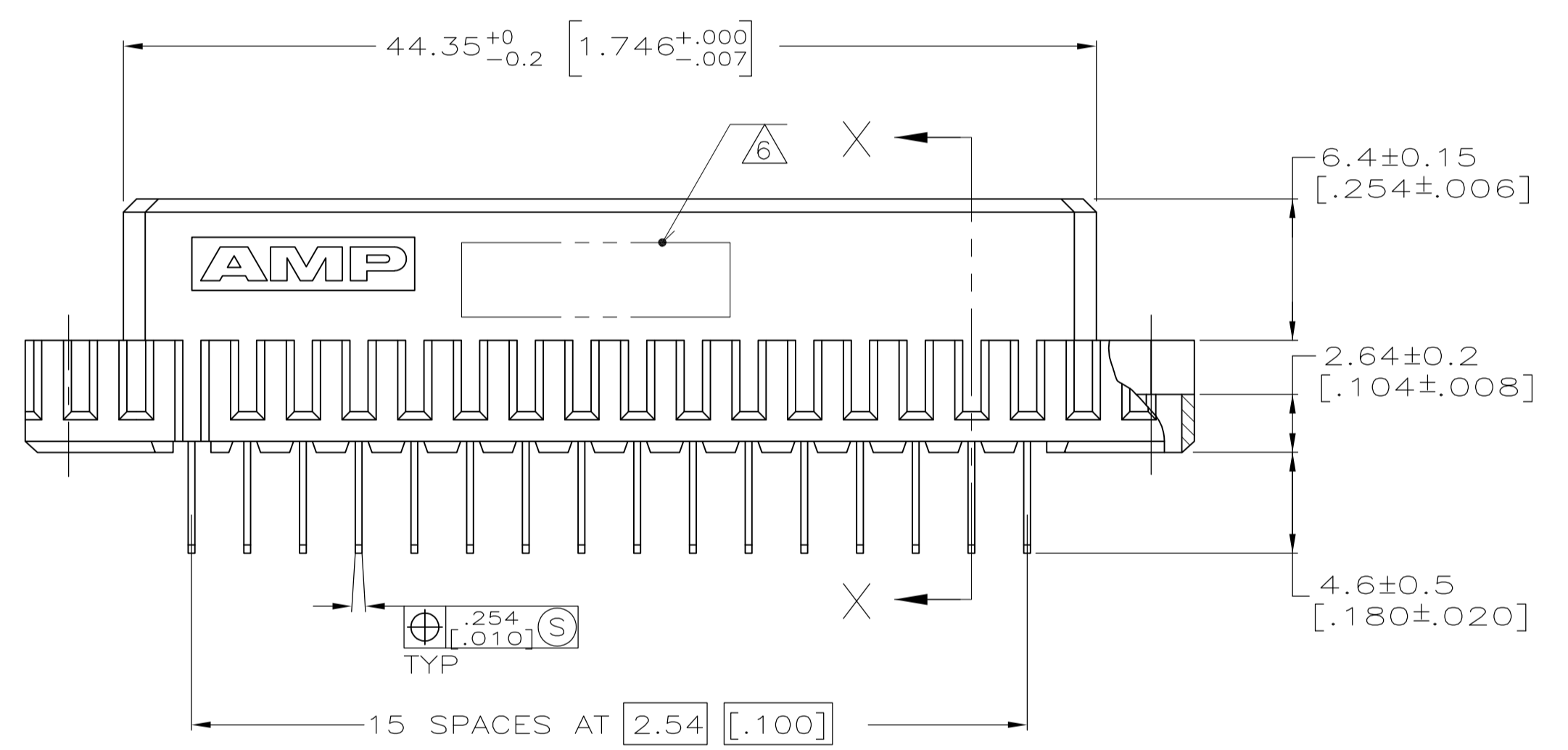
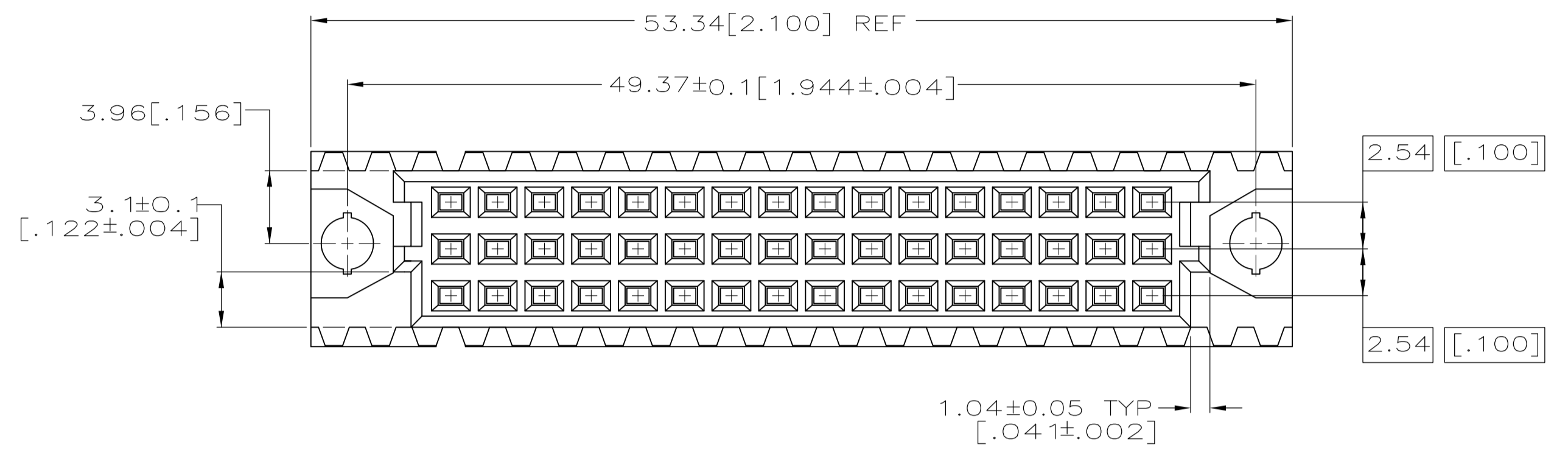
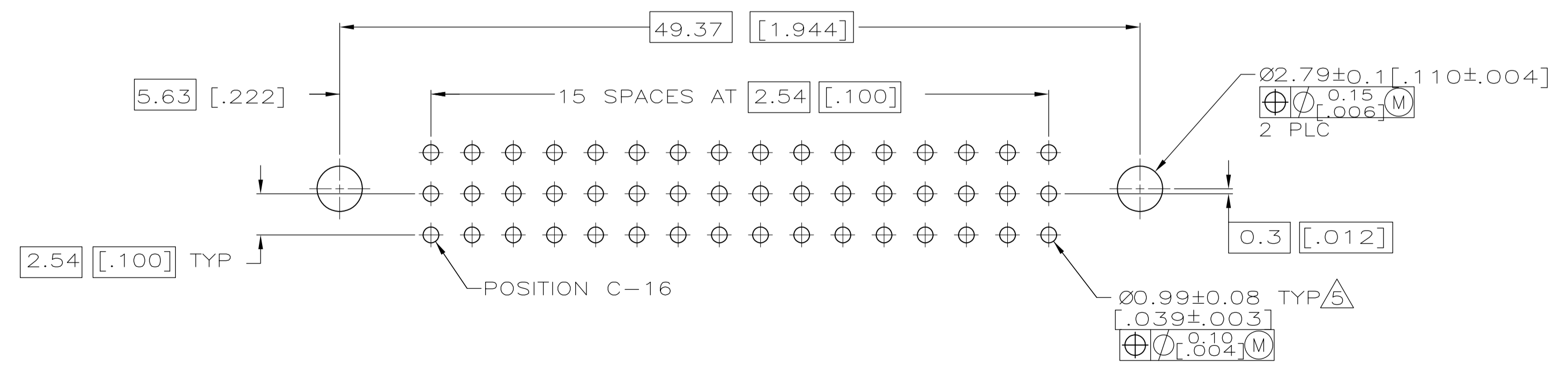


LOC		DIST		REVISONS			
AD	25	REV	DATE	DESCRIPTION	DATE	BY	APPV
		0	03JUN05	RELEASE PER EC 0512-0082-05		JDP	AMS
		01	10NOV09	REVISED PER ECO-09-024927		KK	AEG

- ① HOUSING MATERIAL: GLASS-FILLED POLYMER.
- ② CONTACT MATERIAL: COPPER ALLOY.
- ③ CONTACT FINISH: DIN 41612 CLASS 2 IN CONTACT AREA. TIN PLATE ON POSTS.
- ④ CONTACT POINT.
- ⑤ RECOMMENDED HOLE SIZE FOR MANUAL APPLICATION OF CONNECTOR ONTO PC BOARD.
- ⑥ PART NUMBER, DATE CODE IDENTIFICATION, CSA LOGO IN THIS APPROXIMATE AREA ON REVERSE SIDE.
- ⑦ OBSOLETE PARTS: OBSOLETE CIS STREAMLINING PER D.RENAUD/D.SINISI



SECTION X-X



PC BOARD LAYOUT

FINISH	POSITIONS LOADED	ROWS LOADED			NO. OF LOADED POSITION	ASSY PART NUMBER
		C	B	A		
①	1 THRU 16	X	-	X	32	5650466-5
②	1 THRU 16	X	-	X	32	5650466-4

THIS DRAWING IS A CONTROLLED DOCUMENT.		DIN J. POLIGNONE 03JUN05	Tyco Electronics Corporation Harrisburg, PA 17105-3608
DIMENSIONS: mm [INCHES]		CIK A. SHARPE 03JUN05	
TOLERANCES UNLESS OTHERWISE SPECIFIED:		APVD A. SHARPE 03JUN05	NAME ASSEMBLY, RECEPTACLE, EUROCARD, TYPE C/2, A and C, 32/48 POSITION, 4.57[.180] SOLDER POSTS
0 PLC ± -	1 PLC ± -	PRODUCT SPEC	
2 PLC ± -	3 PLC ± 0.13[.005]	APPLICATION SPEC	SIZE A1
4 PLC ± -	ANGLES ± -	RESTRICTED TO	SCALE 4:1
MATERIAL ① ②	FINISH ③	WEIGHT	SHEET 1 OF 1
CUSTOMER DRAWING		SIZE 00779	REV 01

单击下面可查看定价，库存，交付和生命周期等信息

[>>TE Connectivity\(泰科\)](#)