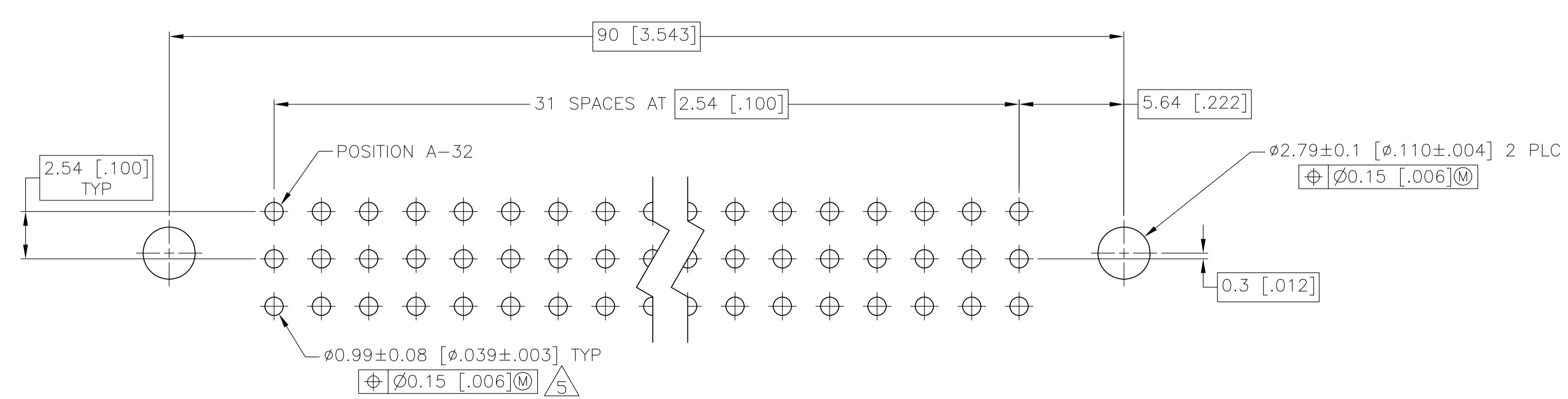
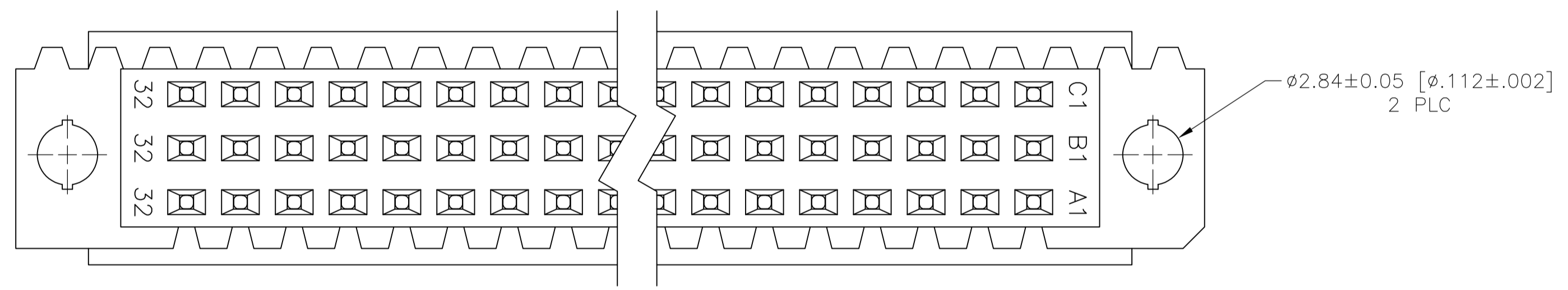
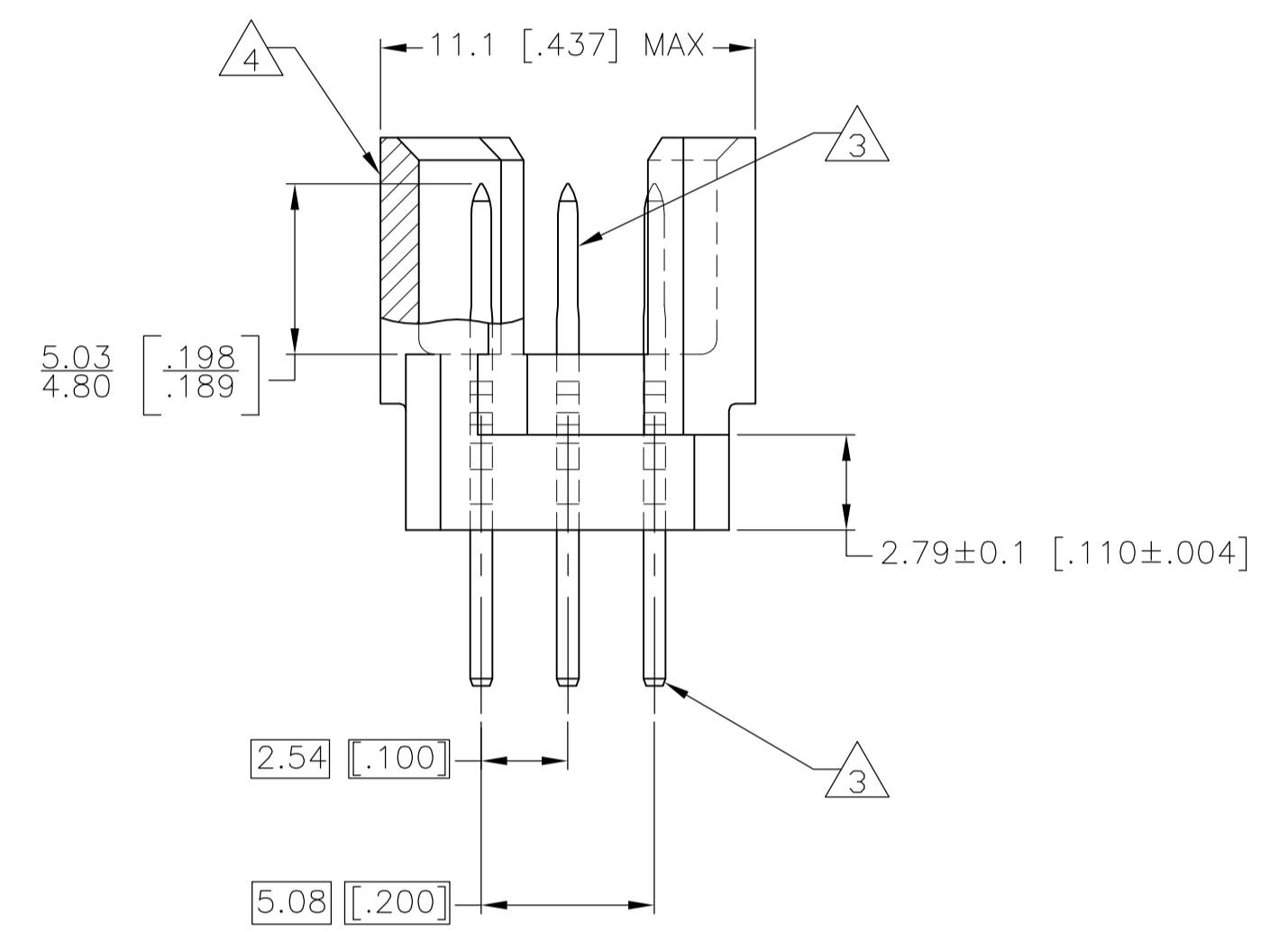
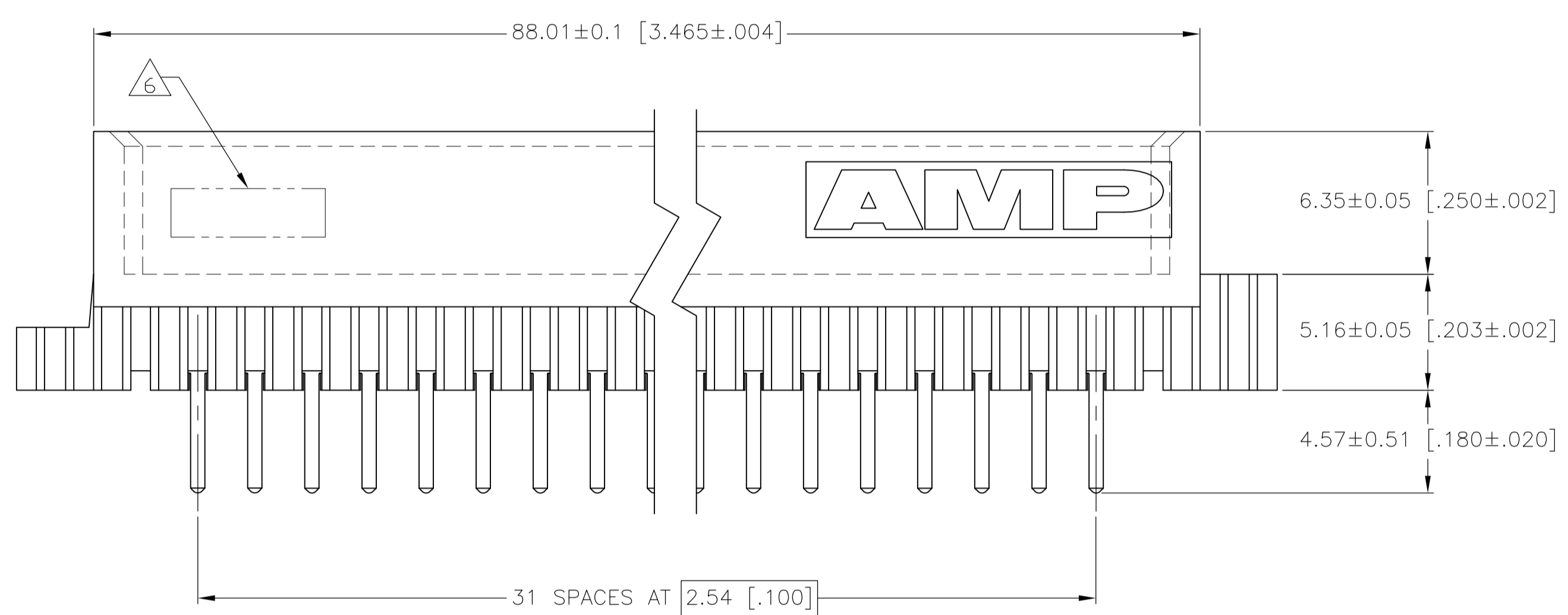


- 1 HOUSING MATERIAL: GLASS-FILLED POLYMER.
- 2 POST MATERIAL: COPPER ALLOY.
- 3 POST FINISH: DIN 41612 CLASS 2 IN CONTACT AREA. TIN PLATE ON POSTS.
- 4 MARKING ON THIS SIDE.
- 5 RECOMMENDED HOLE SIZE FOR MANUAL APPLICATION OF CONNECTOR ONTO PC BOARD.
- 6 PART NUMBER, DATE CODE MARKED THIS APPROXIMATE AREA.



PC BOARD LAYOUT

1-32	X	X	X	96	5650470-5
POSITIONS LOADED	C	B	A	NO OF LOADED POSITIONS	ASSY PART NUMBER
				ROWS LOADED	

THIS DRAWING IS A CONTROLLED DOCUMENT.		DIN J. POLIGNONE DSMAYOS		Tyco Electronics Corporation	
DIMENSIONS: mm [INCHES]		CIK A. SHARPE DSMAYOS		Tyco Electronics Corporation Harrisburg, PA 17105-3608	
TOLERANCES UNLESS OTHERWISE SPECIFIED:		APVD A. SHARPE DSMAYOS		NAME ASSEMBLY, PIN, EUROCARD, TYPE R, 96 POSITION	
0 PLC ± -		PRODUCT SPEC		APPLICATION SPEC 4.57[.180] SOLDER POST	
1 PLC ± -		SIZE		CAGE CODE	
2 PLC ± 0.13 [.005]		A1		DRAWING NO 00779	
3 PLC ± -		WEIGHT		5650470	
4 PLC ± -		CUSTOMER DRAWING		SCALE 5:1	
ANGLES ± -		SHEET 1 OF 1		REV 01	

单击下面可查看定价，库存，交付和生命周期等信息

[>>TE Connectivity\(泰科\)](#)