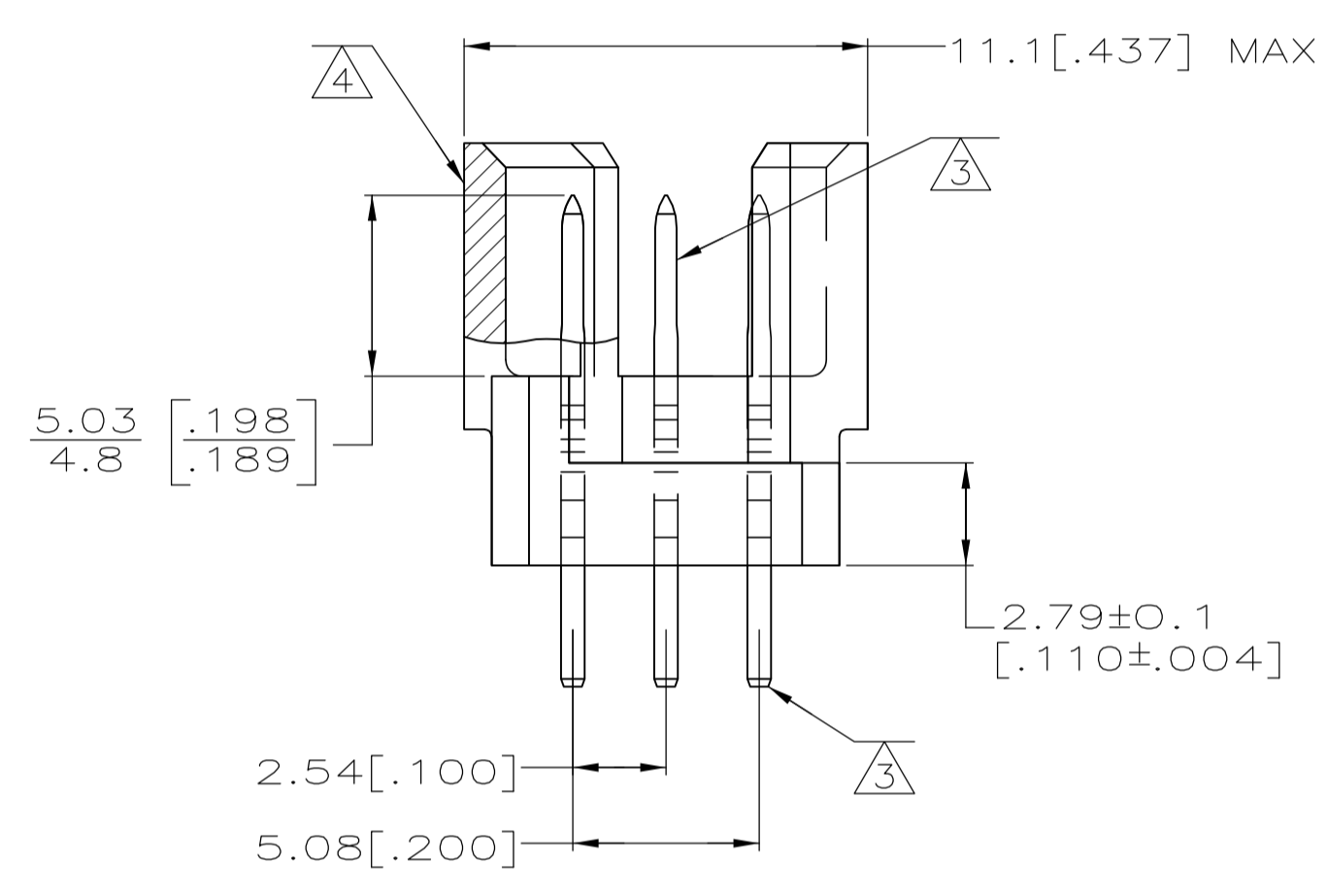


- 1 HOUSING MATERIAL: GLASS-FILLED POLYMER.
- 2 POST MATERIAL: COPPER ALLOY.
- 3 POST FINISH: DIN 41612 CLASS 2 IN CONTACT AREA. TIN PLATE ON POSTS.
- 4 MARKING ON THIS SIDE.
- 5 RECOMMENDED HOLE SIZE FOR MANUAL APPLICATION OF CONNECTOR ONTO PC BOARD.
- 6 PART NUMBER, DATE CODE MARKED THIS APPROXIMATE AREA.



1-32	X	X	X	96	5650908-5
POSITIONS LOADED	C	B	A	NO. OF LOADED POSITION	ASSY PART NUMBER
	ROWS LOADED				

THIS DRAWING IS A CONTROLLED DOCUMENT.		DIN J. POLIGNONE OSMAVOS		OSMAVOS																					
DIMENSIONS: mm [INCHES]		TOLERANCES UNLESS OTHERWISE SPECIFIED:		NAME																					
<table border="1"> <tr><td>0 PLC</td><td>± -</td></tr> <tr><td>1 PLC</td><td>± -</td></tr> <tr><td>2 PLC</td><td>± 0.13[.005]</td></tr> <tr><td>3 PLC</td><td>± -</td></tr> <tr><td>4 PLC</td><td>± -</td></tr> <tr><td>ANGLES</td><td>± -</td></tr> </table>		0 PLC	± -	1 PLC	± -	2 PLC	± 0.13[.005]	3 PLC	± -	4 PLC	± -	ANGLES	± -	<table border="1"> <tr><td>APVD</td><td>A. SHARPE OSMAVOS</td></tr> <tr><td>PRODUCT SPEC</td><td></td></tr> <tr><td>APPLICATION SPEC</td><td></td></tr> <tr><td>WEIGHT</td><td></td></tr> </table>		APVD	A. SHARPE OSMAVOS	PRODUCT SPEC		APPLICATION SPEC		WEIGHT		<b>STE</b> TE Connectivity ASSEMBLY, PIN, EUROCARD, TYPE R, 96 POSITION, 3.30[.130] SOLDER POST	
0 PLC	± -																								
1 PLC	± -																								
2 PLC	± 0.13[.005]																								
3 PLC	± -																								
4 PLC	± -																								
ANGLES	± -																								
APVD	A. SHARPE OSMAVOS																								
PRODUCT SPEC																									
APPLICATION SPEC																									
WEIGHT																									
MATERIAL		FINISH		SIZE																					
<table border="1"> <tr><td>1</td><td>2</td></tr> </table>		1	2	<table border="1"> <tr><td>3</td></tr> </table>		3	A1																		
1	2																								
3																									
CUSTOMER DRAWING		SCALE		SHEET																					
		5:1		1 OF 1																					

单击下面可查看定价，库存，交付和生命周期等信息

[>>TE Connectivity\(泰科\)](#)