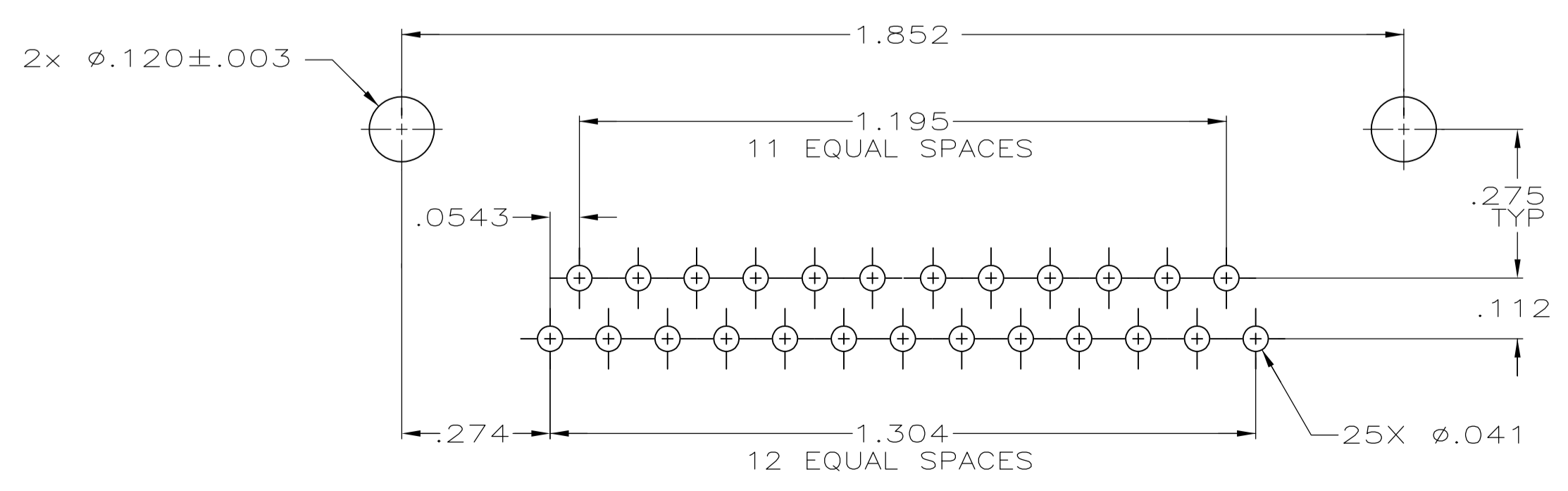
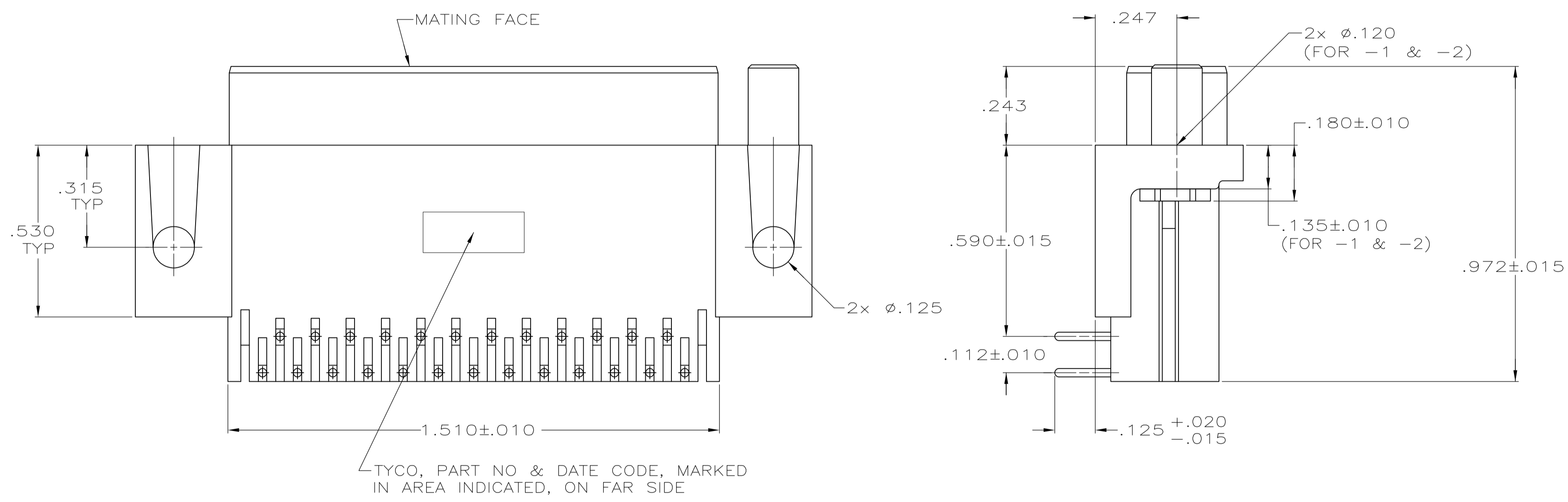


- 1 HOUSING: FLAME RETARDANT, 94V-0 RATED, GLASS FILLED, NYLON OR POLYESTER, COLOR: BLACK
- 2 CONTACTS: PHOS BRONZE. INSERTS & SCREWLOCKS: ZINC.
- 3 REFER TO APPLICATION SPEC FOR RECOMMENDED P.C. BOARD MOUNTING DIMENSIONS FOR AUTOMATIC INSERTION.
- 4 CONTACTS: SEE TABLE
- 5 INSERTS & SCREWLOCKS: CLEAR CHROMATE COATING.
- 6 PLATED WITH GOLD FLASH FOR LENGTH OF .055 MIN FROM MATING END, .000100 MIN TIN ON SOLDER END, ALL OVER .000050 MIN NICKEL ON ENTIRE CONTACT.
- 7 PLATED WITH .000030 MIN GOLD FOR LENGTH OF .055 MIN FROM MATING END, .000100 MIN TIN SOLDER END, ALL OVER .000050 MIN NICKEL ON ENTIRE CONTACT.



RECOMMENDED P.C. BOARD MOUNTING DIMENSIONS

| | | |
|--------------------|--------|-------------|
| WITH SCREWLOCKS | 5 | 5747461-6 |
| WITH SCREWLOCKS | 4 | 5747461-5 |
| WITH INSERTS | 5 | 5747461-4 |
| WITH INSERTS | 4 | 5747461-3 |
| WITH .120 DIA HOLE | 5 | 5747461-2 |
| WITH .120 DIA HOLE | 4 | 5747461-1 |
| REMARKS | FINISH | PART NUMBER |

**COPYRIGHT 2005
TE CONNECTIVITY CORP
ALL RIGHTS RESERVED**

THIS DRAWING IS A CONTROLLED DOCUMENT.

| | | | |
|--------------------|--|---------------------------|---|
| DIMENSIONS: INCHES | TOLERANCES UNLESS OTHERWISE SPECIFIED: | DIN G. PETERS 16SEP05 | NAME |
| 0 PLC ± - | 1 PLC ± - | CHK S. BOLASH 16SEP05 | RECEPTACLE ASSY, SIZE 3, 25 POSN, RIGHT ANGLE, .590 SERIES, .026 DIA POSTS, AMPLIMITE HD-20 |
| 2 PLC ± - | 3 PLC ± .005 | APP'D M. WALMSLEY 16SEP05 | PRODUCT SPEC 108-40025 |
| 4 PLC ± - | ANGLES ± ± ° | APPLICATION SPEC | 114-40015 |
| MATERIAL | FINISH | WEIGHT | SIZE |
| | | | A1 00779 |
| | | CUSTOMER DRAWING | SCALE 4:1 SHEET 1 OF 1 REV P |

STE TE Connectivity

单击下面可查看定价，库存，交付和生命周期等信息

[>>TE Connectivity\(泰科\)](#)

[>>点击查看相关商品](#)