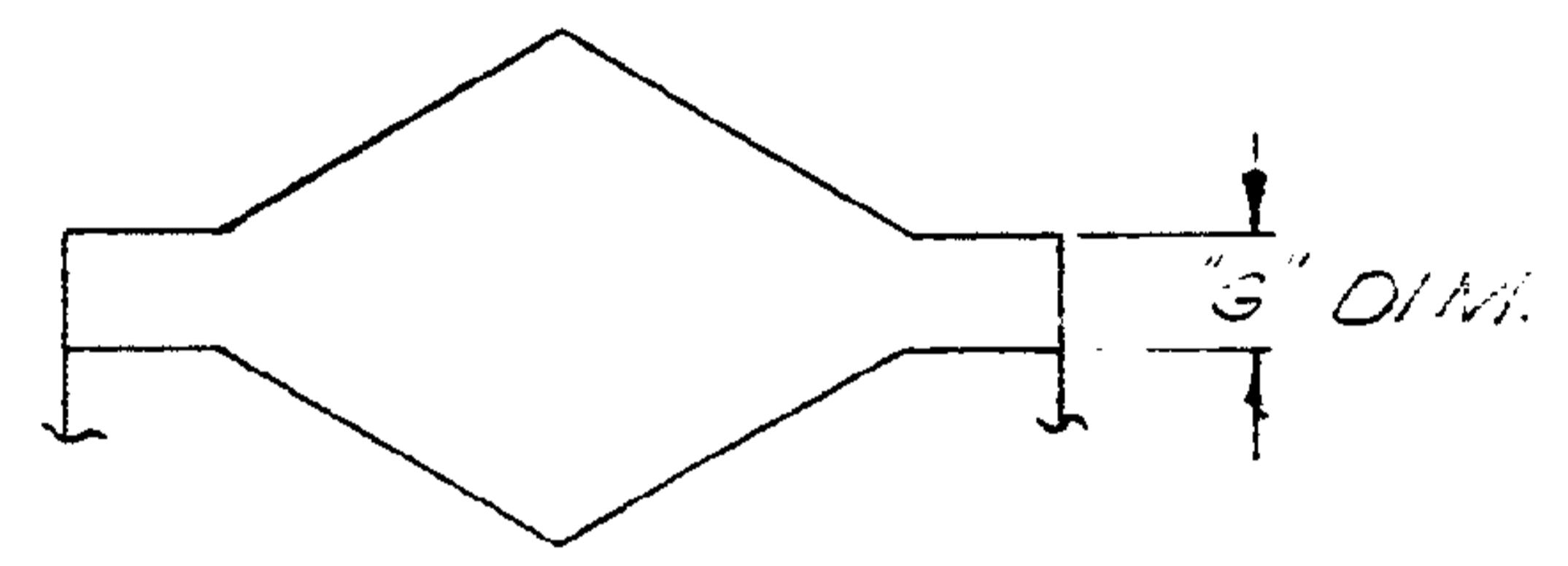


BARREL - CRIMP

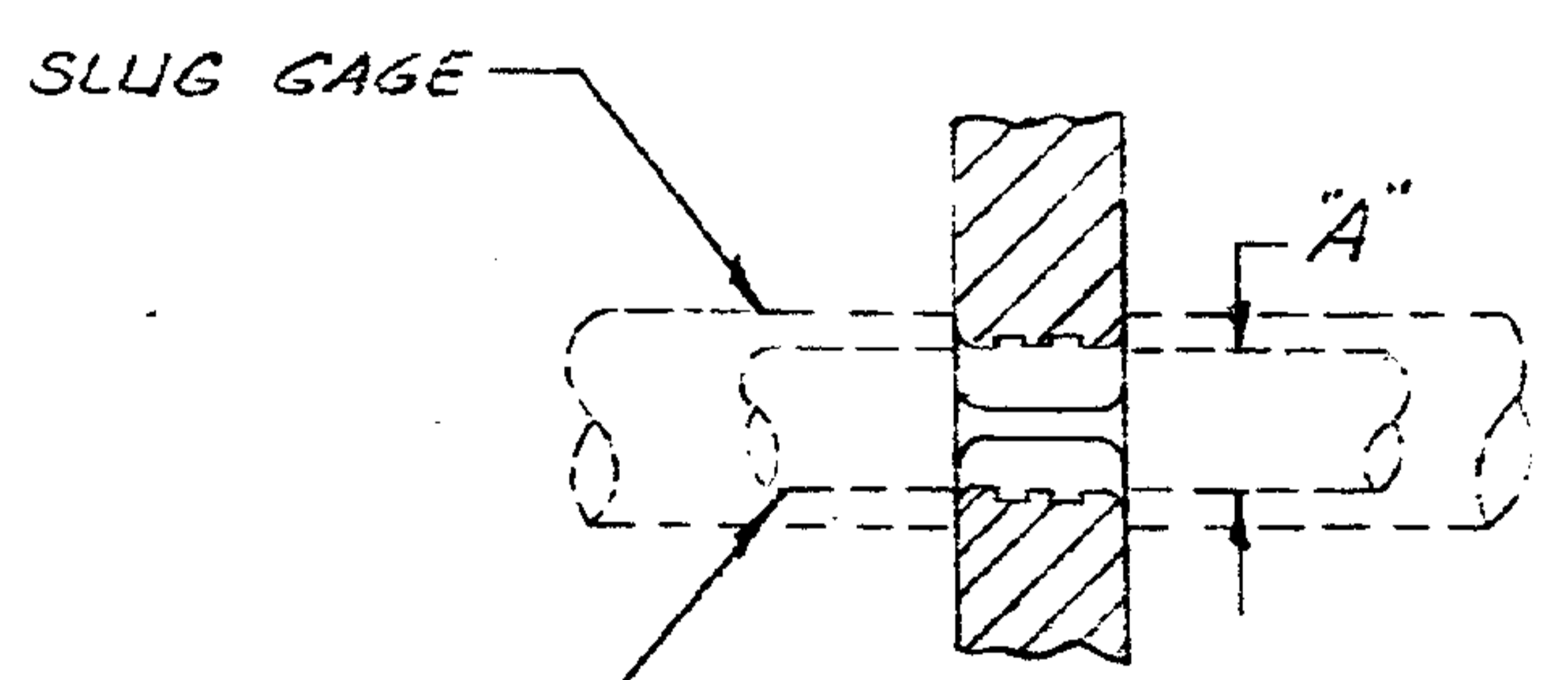


INSULATION - CRIMP

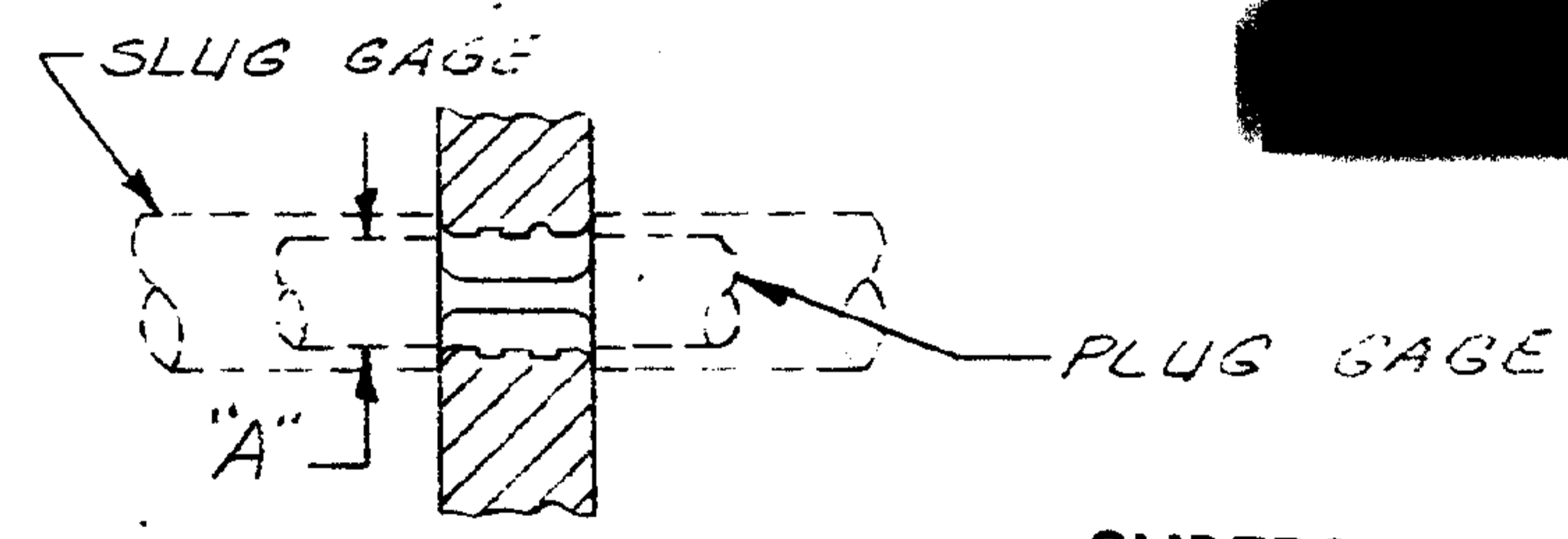
NOTE:  
 1. WHEN PLUG OR SLUG GAGING OF BARREL CRIMP IT IS IMPORTANT TO NOTE THAT DIMENSION "A" IS THE FIGURE REQUIRED.

ENLARGED VIEW OF CRIMPS

WIRE SIZE	"A" DIM. BARREL CRIMP		"G" DIM. INSULATION CRIMP	
	GO	NO GO	GO MIN AT +1	NO GO FIN AT +4
22-16	.109	.115	.030	.110
16-14	.119	.125	.040	.120

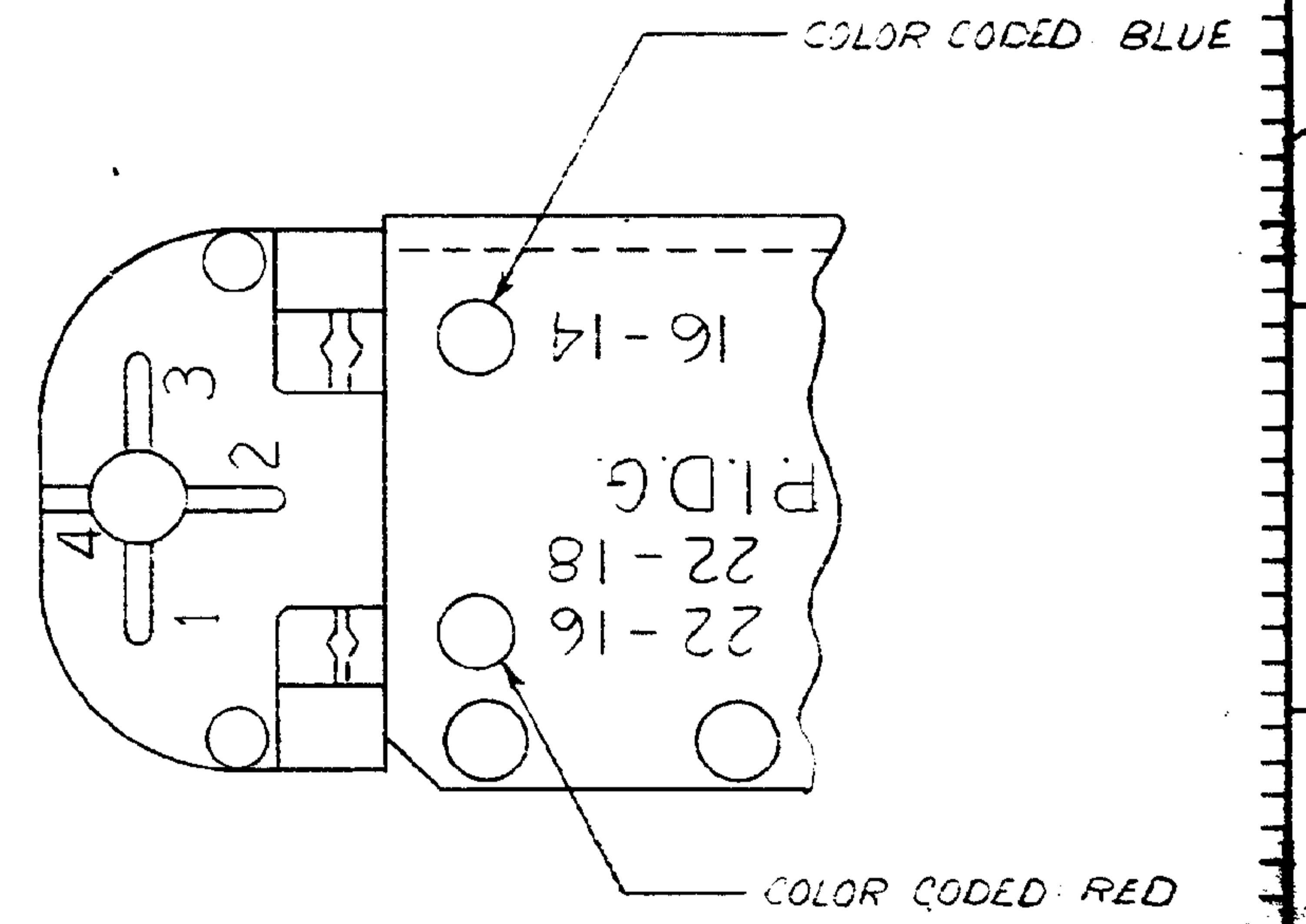


BARREL INSERTS 16-14



BARREL INSERTS 22-16

SUPERSEDED BY LS 1610



DIMENSIONS IN INCHES DO NOT SCALE PRINT

DWG NUMBER		NAME		REMARKS		ITEM NO.
59250		B. S. Henfeld 12-28-66		TE Connectivity		
CHECKED		DATE		CLASS		
1-4-67		1-4-67		+		
DRAWN		MATERIAL AND FINISH		TYPE		
A. J. Ziegler		22-16/16-14		CONFINED CRESCENT PLUG		
DATE		TOLERANCE EXCEPT AS NOTED		SCALE		
1-4-67		± .015		1:1		
REVISED PER ECO-11-005294		REVISION RECORD		LOC		
RK HMR 06 APR 11		DR CHN DATE		REV		
LTR		59250		59250		J2
DESCRIPTION		T HEAD ASSEMBLY				

单击下面可查看定价，库存，交付和生命周期等信息

[>>TE Connectivity\(泰科\)](#)