

THIS DRAWING IS UNPUBLISHED.

RELEASED FOR PUBLICATION

2011

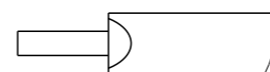
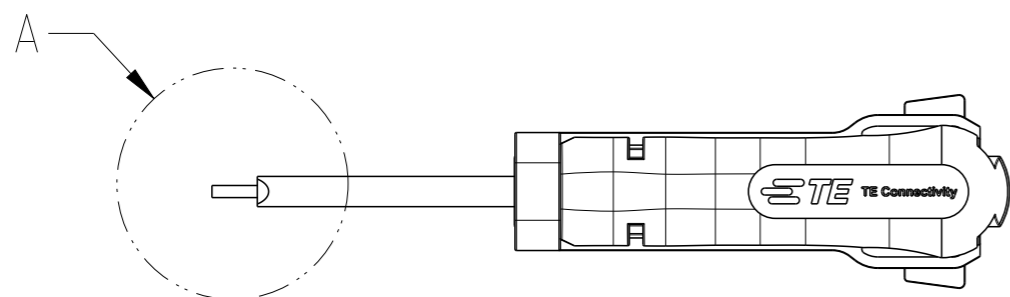
© COPYRIGHT 2011

Tyco Electronics AMP GmbH

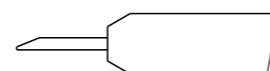
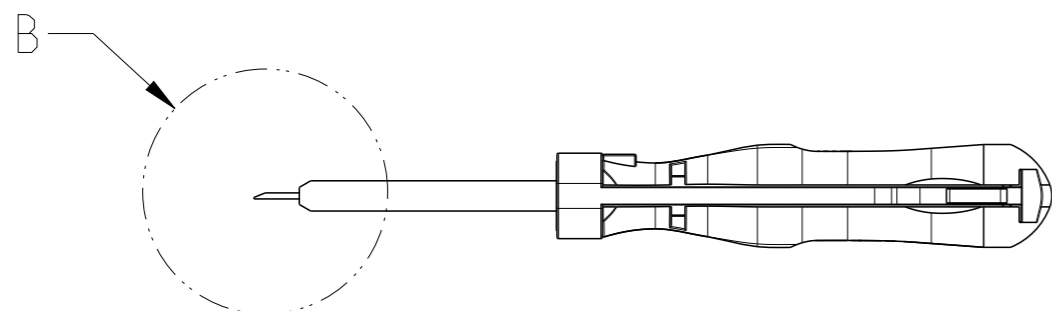
ALL RIGHTS RESERVED.

REVISIONS

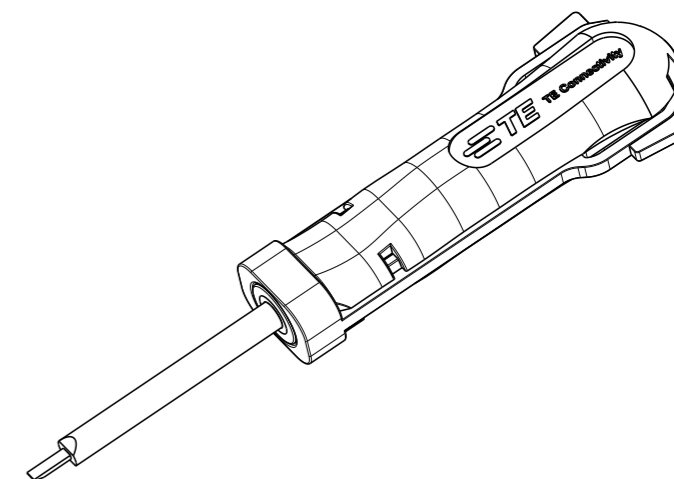
P	LTR	DESCRIPTION	DATE	DWN	APVD
	B1	ECR-16-013659	30SEP2016	KH	BM



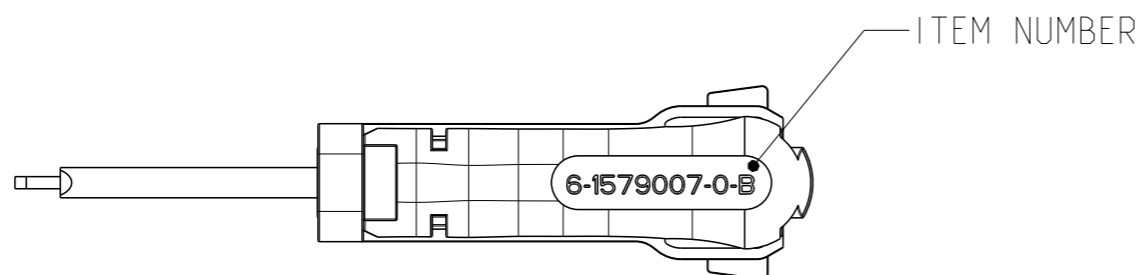
A
2:1



B
2:1



FOR CONTACTS / HOUSINGS:
MQS Clean body



ITEM NUMBER

THIS DRAWING IS A CONTROLLED DOCUMENT.

DIMENSIONS: mm		TOLERANCES UNLESS OTHERWISE SPECIFIED:	
		0 PLC	±
		1 PLC	±
		2 PLC	±
		3 PLC	±
		4 PLC	±
		ANGLES	±1°
MATERIAL		FINISH	-
			-

DWN	H. Fink	06NOV2006
CHK	G. Stegmayer	11DEC2006
APVD	G. Stegmayer	11DEC2006
PRODUCT SPEC	-	
APPLICATION SPEC	-	
WEIGHT	0.050kg	
CUSTOMER DRAWING		

		TE Connectivity	
		NAME EXTRACTION TOOL Entriegelungswerkzeug	
SIZE	CAGE CODE	DRAWING NO	RESTRICTED TO
A3	00779	©-6-1579007-0	-
SCALE		SHEET	REV
5:1		1 OF 1	B1

单击下面可查看定价，库存，交付和生命周期等信息

[>>TE Connectivity\(泰科\)](#)