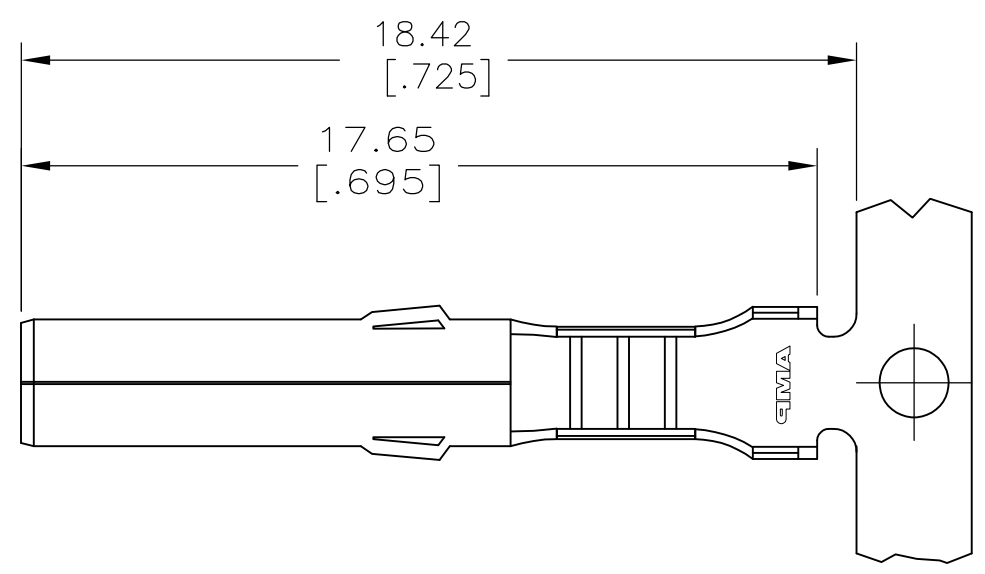
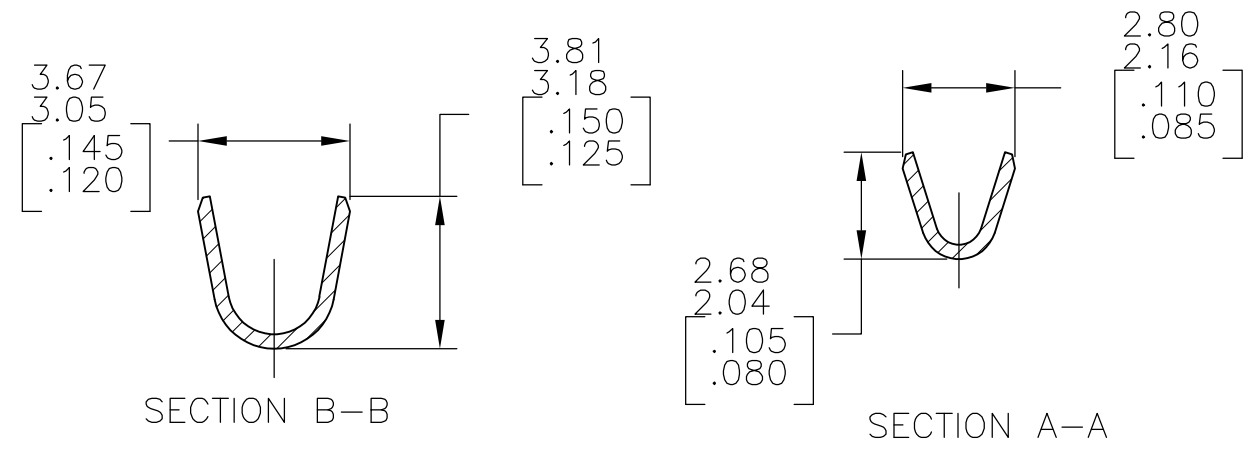
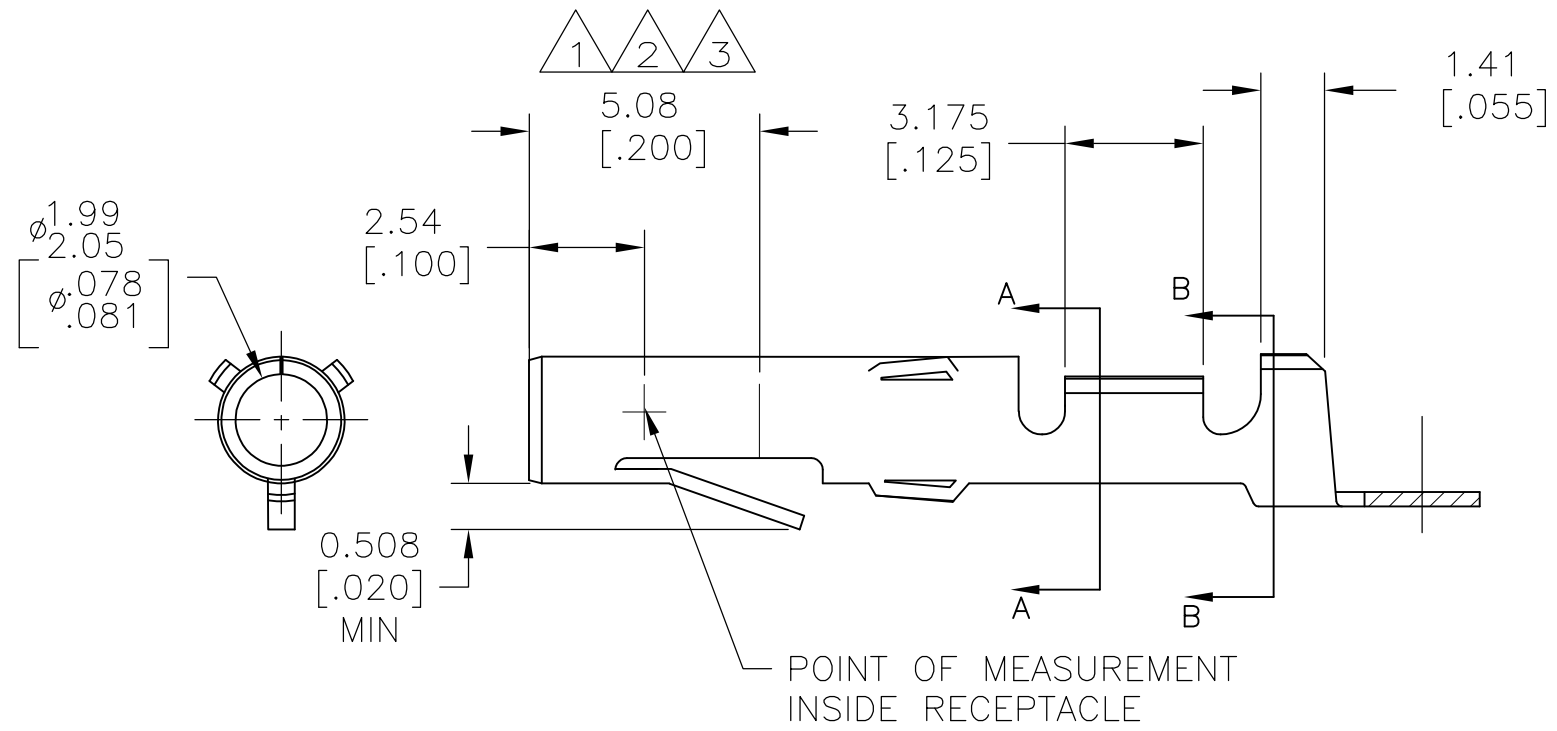


THIS DRAWING IS UNPUBLISHED. RELEASED FOR PUBLICATION
 © COPYRIGHT - RUTH, JEFFERY ALL RIGHTS RESERVED.

LOC	DIST	REVISIONS			
P	LTR	DESCRIPTION	DATE	DWN	APVD
CM	00	AB2	REDRAWN AND PER ECR 12-013810	24SEPT12	KH TM



- 1 NICKEL ON ENTIRE TERMINAL WITH 0.00076[.000030] GOLD OVER INSIDE OF MATING AREA AND WIRE BARREL.
- 2 GOLD FLASH OVER NICKEL ON ENTIRE TERMINAL WITH 0.00076[.000030] GOLD OVER MATING AREA.
- 3 NICKEL ON ENTIRE TERMINAL WITH 0.00076[.000030] GOLD OVER INSIDE OF MATING AREA.
- 4 WIRE RANGE 24-18.
- 5 INSULATION DIA .100 MAX.



APPLICATOR TYPE	FINISH	MATERIAL	PART NO
MINI	GOLD 3	.012 BRASS	61314-7
MINI	GOLD 3	.012 PH BRZ	61314-6
MINI	GOLD 1	.012 BRASS	61314-5
MINI	PRE TIN	.012 PH BRZ	61314-4
MINI	-	.012 PH BRZ	61314-3
MINI	-	.012 BRASS	61314-2
MINI	PRE TIN	.012 BRASS	61314-1

THIS DRAWING IS A CONTROLLED DOCUMENT.		DWN KIRAN HOLAL 29JUN2012	STE TE Connectivity	
		CHK RUTH,JEFFERY 29JUN2012		
DIMENSIONS: mm [INCHES]		APVD RUTH,JEFFERY 29JUN2012		NAME
TOLERANCES UNLESS OTHERWISE SPECIFIED:		PRODUCT SPEC		SOCKET COMMERCIAL MATE-N-LOK™
0 PLC ± -		APPLICATION SPEC		SIZE
1 PLC ± -		WEIGHT		CAGE CODE
2 PLC ± 0.38 [.015]		CUSTOMER DRAWING		DRAWING NO
3 PLC ± -		SCALE 6:1		SHEET 1 OF 1
4 PLC ± -		RESTRICTED TO		REV AB2
ANGLES ± 1°		A300779		C-61314
MATERIAL SEE TABLE	FINISH SEE TABLE			

单击下面可查看定价，库存，交付和生命周期等信息

[>>TE Connectivity\(泰科\)](#)