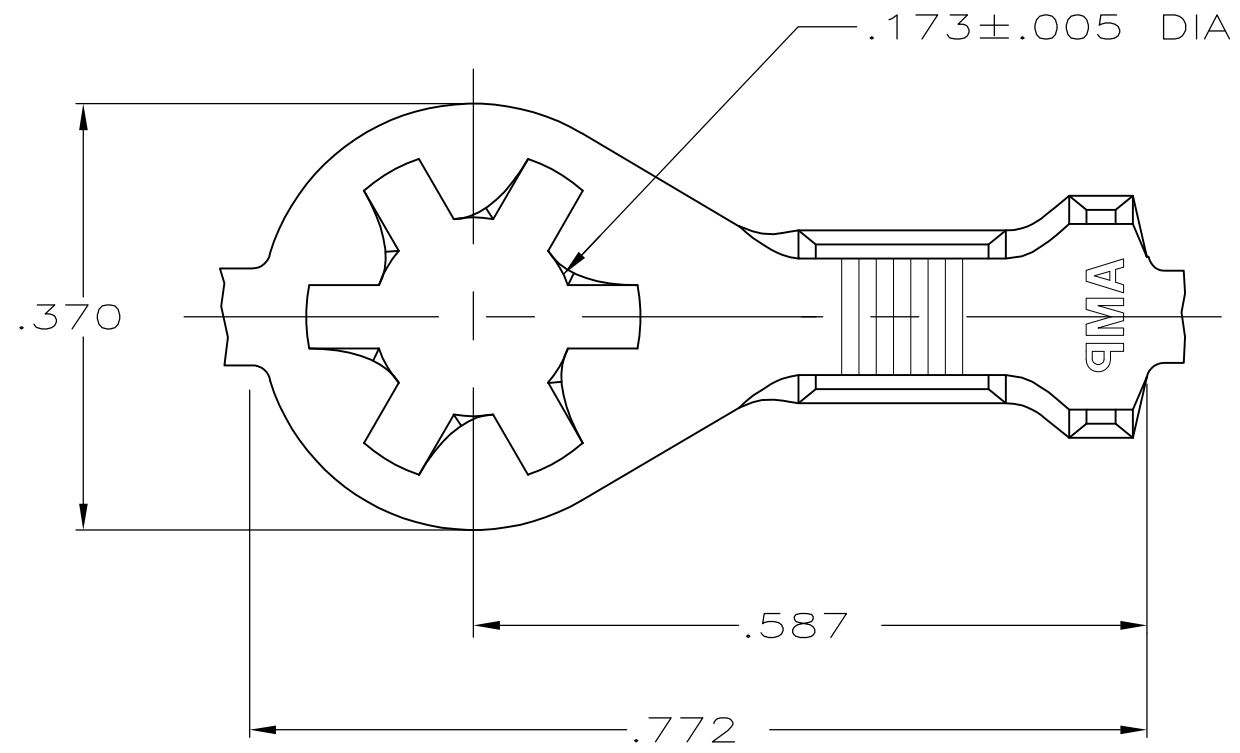
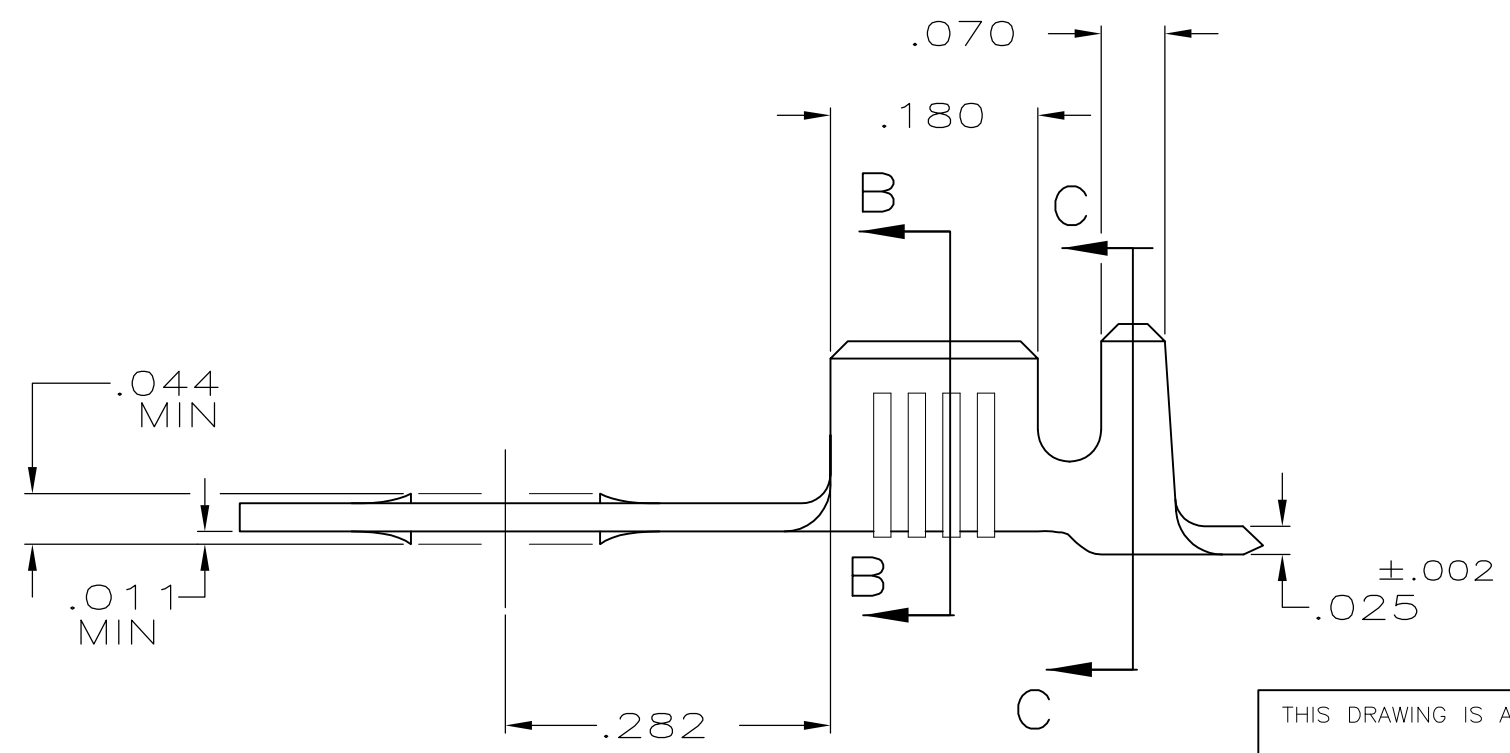
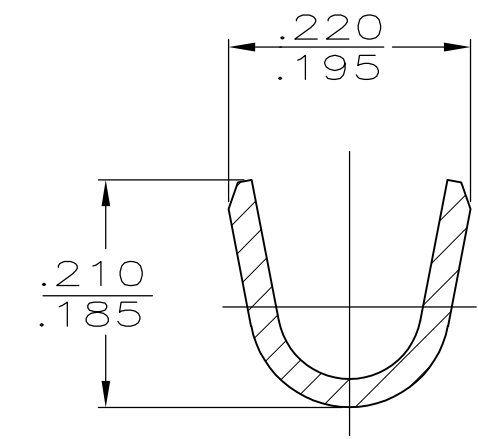
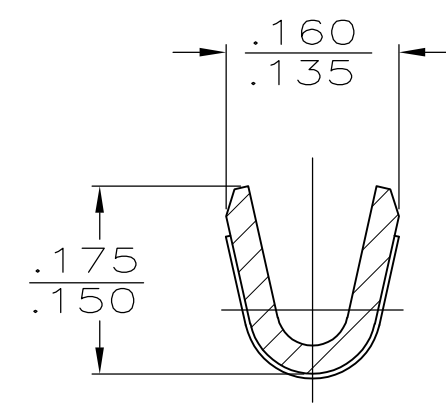


THIS DRAWING IS UNPUBLISHED. RELEASED FOR PUBLICATION
 © COPYRIGHT - By - ALL RIGHTS RESERVED.

LOC	DIST	REVISIONS			
P	LTR	DESCRIPTION	DATE	DWN	APVD
AF	50	T1	REVISED PER ECO-11-004587	11MAR11	RK HMR



- 1 CONTINUOUS STRIP ON REELS
- 2 REELED WITH PAPER
- 3 .000080 MIN TIN PL PER MIL-T-10727.
- 4 PRELIMINARY - NOT FOR PRODUCTION



4	3	T4 BRASS	.105-.145	18-14	61794-7
2	3	T2 STEEL	.105-.145	18-14	61794-6
		T4 BRASS	.105-.145	18-14	61794-4
OBSOLETE		NICKEL PL T2 STEEL	.105-.145	18-14	61794-3
OBSOLETE					61794-2
	3	T2 STEEL	.105-.145	18-14	61794-1
FINISH		MATERIAL	INSULATION RANGE	WIRE SIZE	PART NO

THIS DRAWING IS A CONTROLLED DOCUMENT.

DWN	D HOLLINGSWORTH	5/15/87	STE TE Connectivity				
CHK	G YETTER	11/23/87					
APVD	RP FRANTZ	12/2/87					
NAME							
DIMENSIONS: INCHES		TOLERANCES UNLESS OTHERWISE SPECIFIED:		RING			
		0 PLC ± - 1 PLC ± - 2 PLC ± - 3 PLC ± .015 4 PLC ± - ANGLES ± -					
MATERIAL: SEE TABLE		FINISH: SEE TABLE		SIZE: A3	CAGE CODE: 00779	DRAWING NO: C-61794	RESTRICTED TO: -
CUSTOMER DRAWING				SCALE: 6:1	SHEET: 1 OF 1	REV: T1	

单击下面可查看定价，库存，交付和生命周期等信息

[>>TE Connectivity\(泰科\)](#)