

4

3

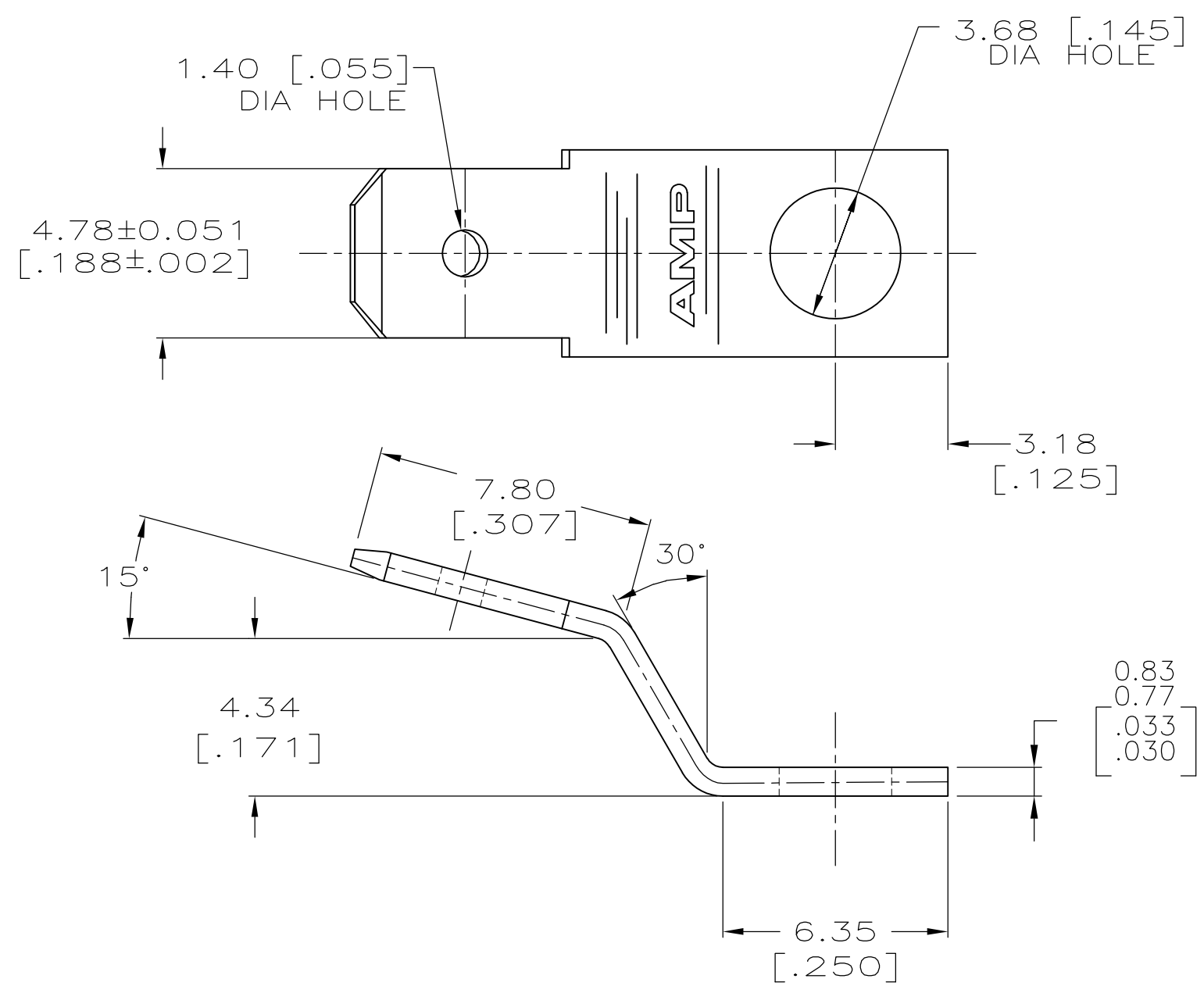
2

1


THIS DRAWING IS UNPUBLISHED. RELEASED FOR PUBLICATION
 © COPYRIGHT - By - ALL RIGHTS RESERVED.

LOC	DIST	REVISIONS			
P	LTR	DESCRIPTION	DATE	DWN	APVD
AF	50	G	REVISED PER ECR-13-011489	04DEC2013	KH PD

1 SUPPLIED IN LOOSE PIECE.



62162-1
 PART NO.

THIS DRAWING IS A CONTROLLED DOCUMENT.		DWN	JR RUTH	3/9/98	 TE Connectivity NAME TAB, FASTON, 4.75 [.187] SERIES					
DIMENSIONS: mm [INCHES]		CHK	MS FEHER	3/9/98						
TOLERANCES UNLESS OTHERWISE SPECIFIED:		APVD	J WORMAN	3/9/98						
0 PLC ± - 1 PLC ± - 2 PLC ± 0.38 [.015] 3 PLC ± - 4 PLC ± - ANGLES ± -		PRODUCT SPEC		NAME						
MATERIAL		FINISH		WEIGHT	SIZE	CAGE CODE	DRAWING NO	RESTRICTED TO		
BRASS		TIN OVER COPPER		-	A3	00779	C-62162	-		
CUSTOMER DRAWING					SCALE	6:1	SHEET	1 OF 1	REV	G

单击下面可查看定价，库存，交付和生命周期等信息

[>>TE Connectivity\(泰科\)](#)