

THIS DRAWING IS UNPUBLISHED.

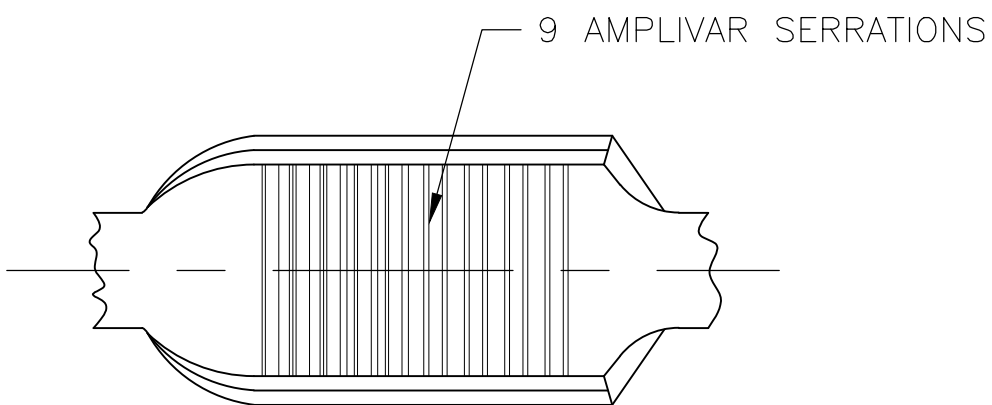
RELEASED FOR PUBLICATION

ALL RIGHTS RESERVED.

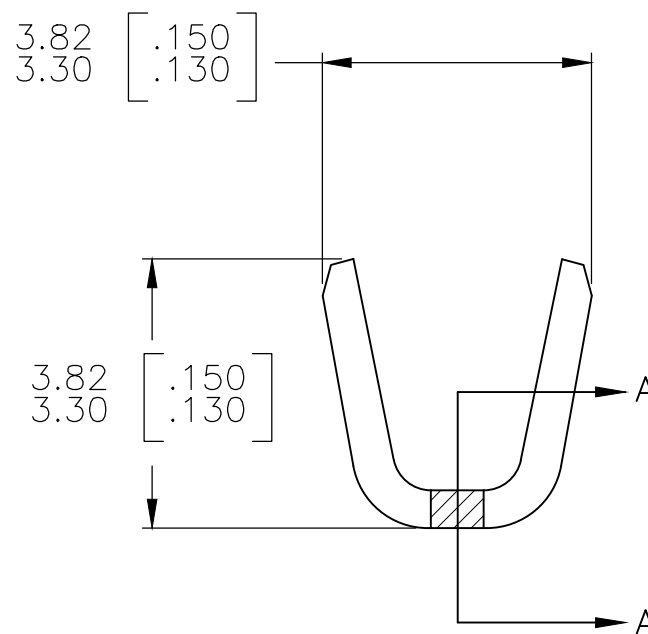
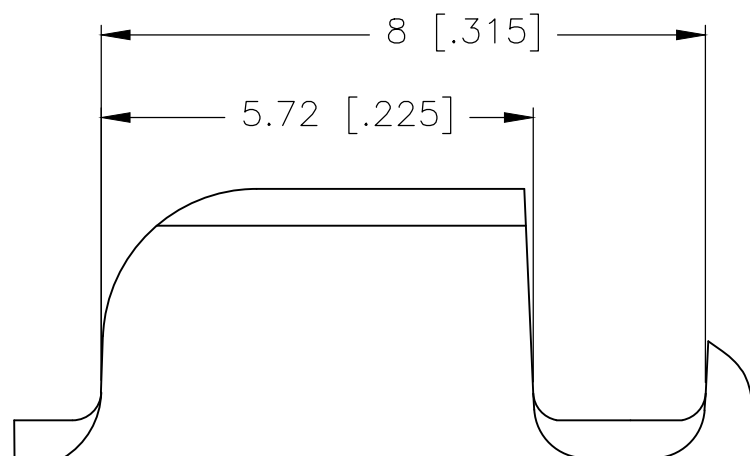
© COPYRIGHT - By -

REVISIONS

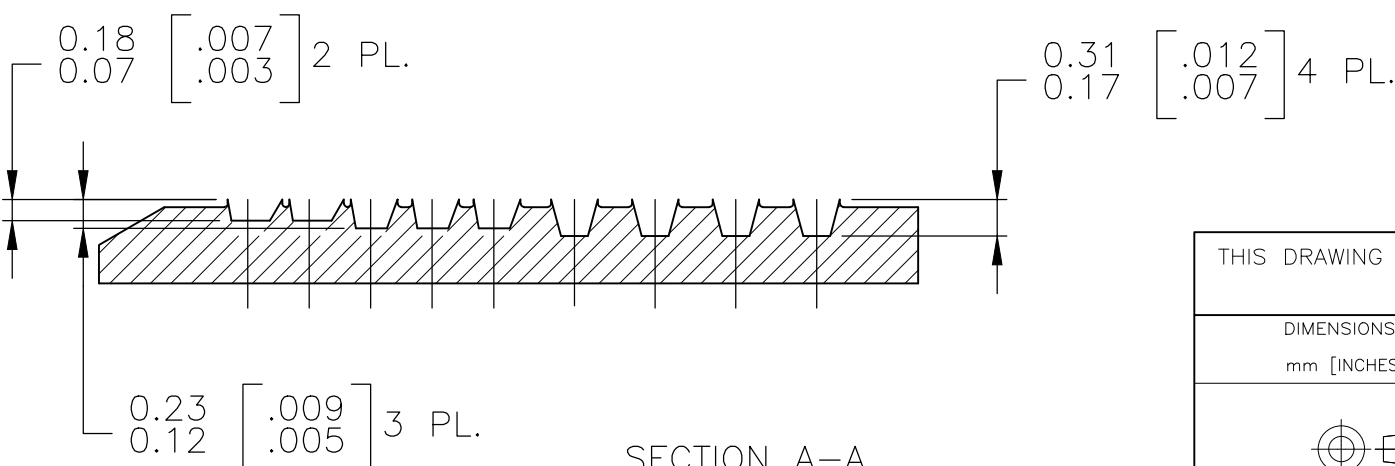
| P | LTR | DESCRIPTION | DATE | DWN | APVD |
|---|-----|---------------------------|-----------|-----|------|
| | C5 | REVISED PER ECO-18-007747 | 17MAY2018 | RS | KR |



1. PRODUCT PROVIDED IN STRIP FORM ON REELS; BREAKS MAY BE PRESENT.
2. DIMENSIONS IN BRACKETS ARE IN INCHES.
3. CRIMP WIDTH: .110 F (AMPLIVAR TYPE)
 CRIMP HEIGHT (± 0.002) = (TOTAL CMA + 9360) / 190,400
 GENERAL APPLICATION GUIDELINES MUST BE FOLLOWED AS SPECIFIED IN CATALOG # 82221
 FOR APPLICATOR INFORMATION CALL: 1-800-722-1111
 FOR PRODUCT INFORMATION CALL: 1-800-522-6752



- $\triangle 4$ PART NUMBER 62304-1 NOT FOR USE WITH ALUMINUM MAGNET WIRE USE WITH COPPER MAGNET WIRE ONLY.
- $\triangle 5$ THIS PRODUCT IS APPROVED FOR USE AS A BUSSED TERMINATION PER BELOW. REFER TO APPLICATION SPEC 114-2003 REV F OR LATER FOR DETAILS
 CRIMP WIDTH: .110 F (AMPLIVAR TYPE) ONLY
 CRIMP HEIGHT (± 0.002) = (TOTAL CMA + 9360) / 190,400
 CMA RANGE: 600 - 3000
 SAME MAGNET WIRE SIZE AND TYPE ONLY RECOMMENDED
 CONTACT TE ENGINEERING FOR SPECIAL APPLICATIONS
- $\triangle 6$ PART NUMBER 62304-4 IS SUPPLIED WITH NO BREAKS IN THE CONTINUOUS REELING
- $\triangle 7$ PREPRODUCTION- FASR REQUIRED



SECTION A-A
SCALE 20:1

| | |
|--------|-------------------------------------|
| TIN | $\triangle 6$ $\triangle 7$ 62304-4 |
| TIN | 62304-2 |
| NONE | $\triangle 4$ 62304-1 |
| FINISH | PART NO. |

| | | | | | |
|--|--|--|---------------------------------|---------------|--------------|
| THIS DRAWING IS A CONTROLLED DOCUMENT. | | DWN RAGHAVENDRA 27JAN06 | STE TE Connectivity Ltd. | | |
| DIMENSIONS: mm [INCHES] | | CHK G.D.PORTA | | | |
| TOLERANCES UNLESS OTHERWISE SPECIFIED: | | APVD G.D.PORTA | NAME | | |
| 0 PLC $\pm -$ | | PRODUCT SPEC 108-32030 | SPLICE, AMPLIVAR 600-3000 CMA | | |
| 1 PLC $\pm -$ | | APPLICATION SPEC 114-2003 $\triangle 5$ | SIZE | CAGE CODE | DRAWING NO |
| 2 PLC $\pm 0.38[.015]$ | | MATERIAL REF 0.51 \pm 0.03 [.020 \pm .001] BRASS | 114-2003 | A300779 | C-62304 |
| 3 PLC $\pm -$ | | FINISH SEE TABLE | WEIGHT 0.000000 | RESTRICTED TO | |
| 4 PLC $\pm -$ | | | CUSTOMER DRAWING | SCALE 10:1 | SHEET 1 OF 1 |
| 4 PLC ANGLES $\pm 1^{\circ}$ | | | | REV C5 | |

单击下面可查看定价，库存，交付和生命周期等信息

[>>TE Connectivity\(泰科\)](#)