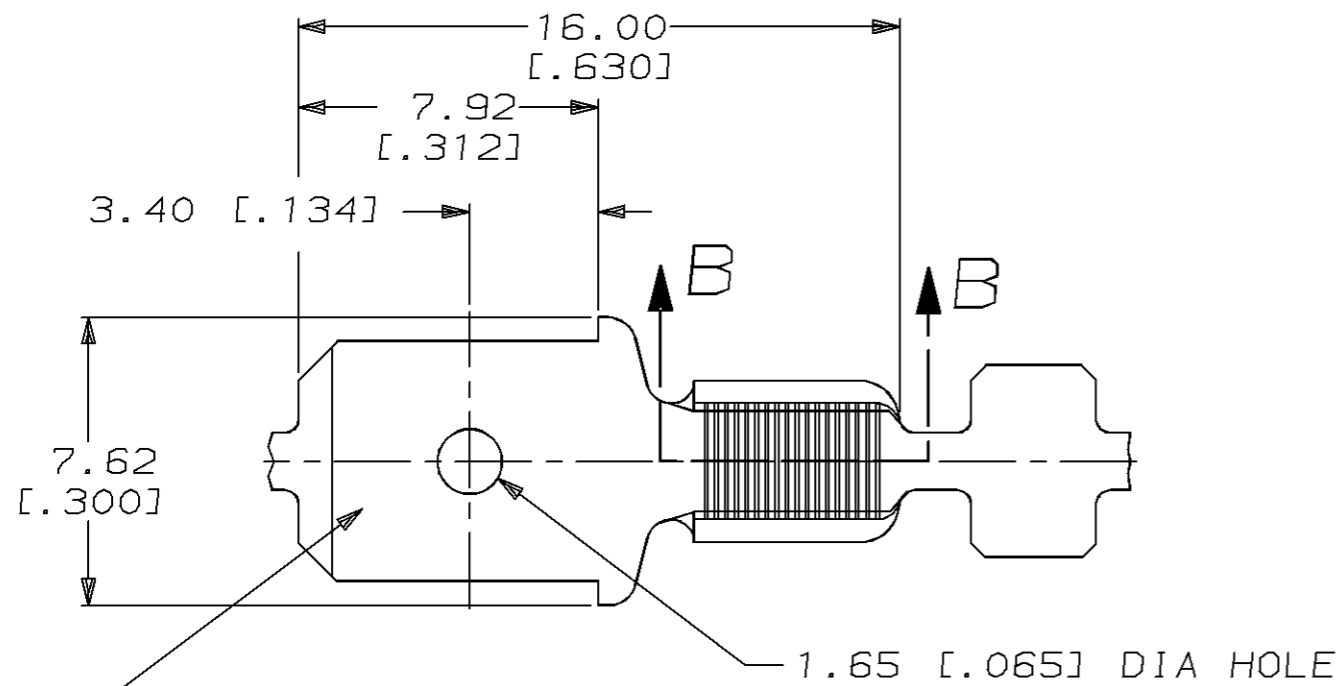
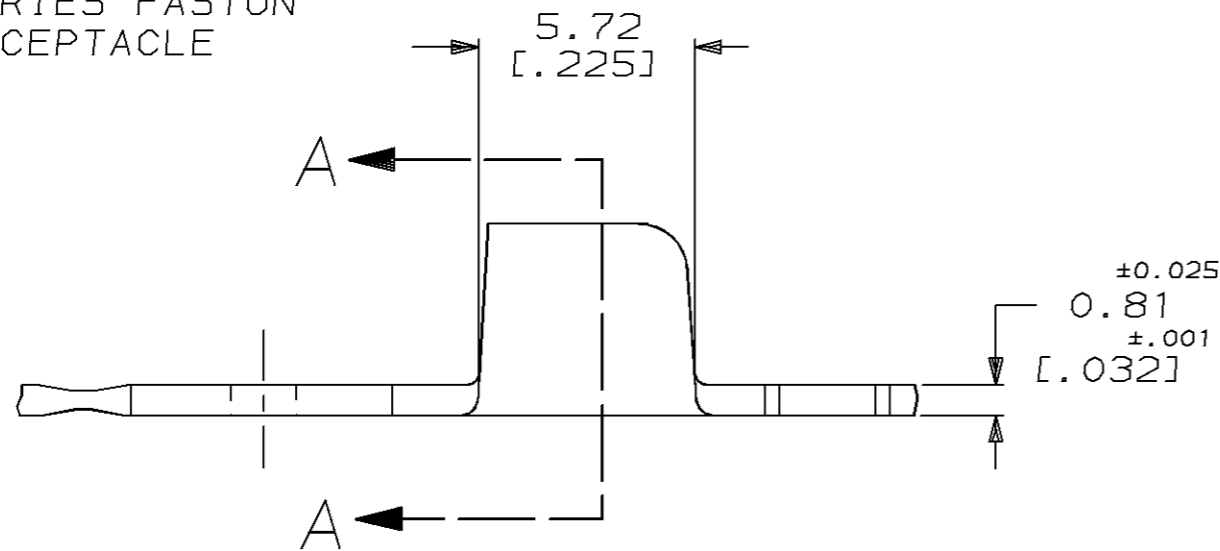


THIS DRAWING IS UNPUBLISHED. RELEASED FOR PUBLICATION, 19
 © COPYRIGHT 19 BY AMP INCORPORATED. ALL INTERNATIONAL RIGHTS RESERVED.

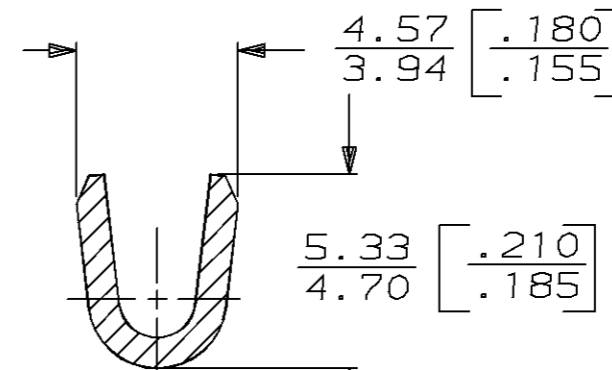
LOC	DIST	P	F	ZONE	LTR	REVISIONS	DATE	APPD
AF	50				D	REV PER 0409-94	8/29/94	JR



FITS 6.35 [.250] SERIES FASTON RECEPTACLE



SECTION B-B
SCALE 20:1



SECTION A-A

1 CONTINUOUS STRIP ON REEL

DO NOT SCALE PRINT. UNLESS SPECIFIED DIMENSIONS IN mm [INCHES] TOLERANCES ON: 2 PLC DEC ± 0.38 [.015] 3 PLC DEC ± - ANGLES ± -		DR 3/19/92 JR RUTH	[#16-#12]	62922-1
MATERIAL 082 BRASS	CHK 3/19/92 MS FEHER	APPD 3/19/92 C MEYERS	WIRE SIZE	PART NO
FINISH TIN 0.002032 [.000080] MIN W/ VARNISH RESIST	APPD 3/19/92 D REINER	PRODUCT SPEC -	AMP AMP Incorporated Harrisburg, PA 17105-3608	
	APPLICATION SPEC -	WEIGHT -	NAME	TAB, FASTON, AMPLIVAR, 6.35 [.250] SERIES
			SIZE	CAGE CODE
			B	00779
			SCALE	DRAWING NO
			5:1	62922
				SHEET
				1 OF 1

单击下面可查看定价，库存，交付和生命周期等信息

[>>TE Connectivity\(泰科\)](#)