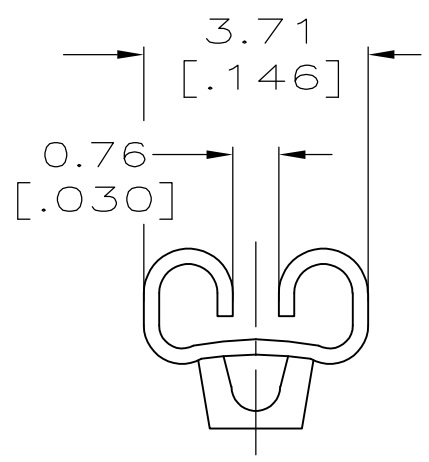
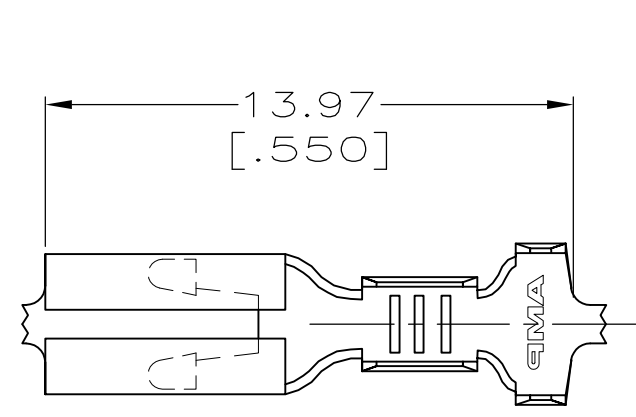
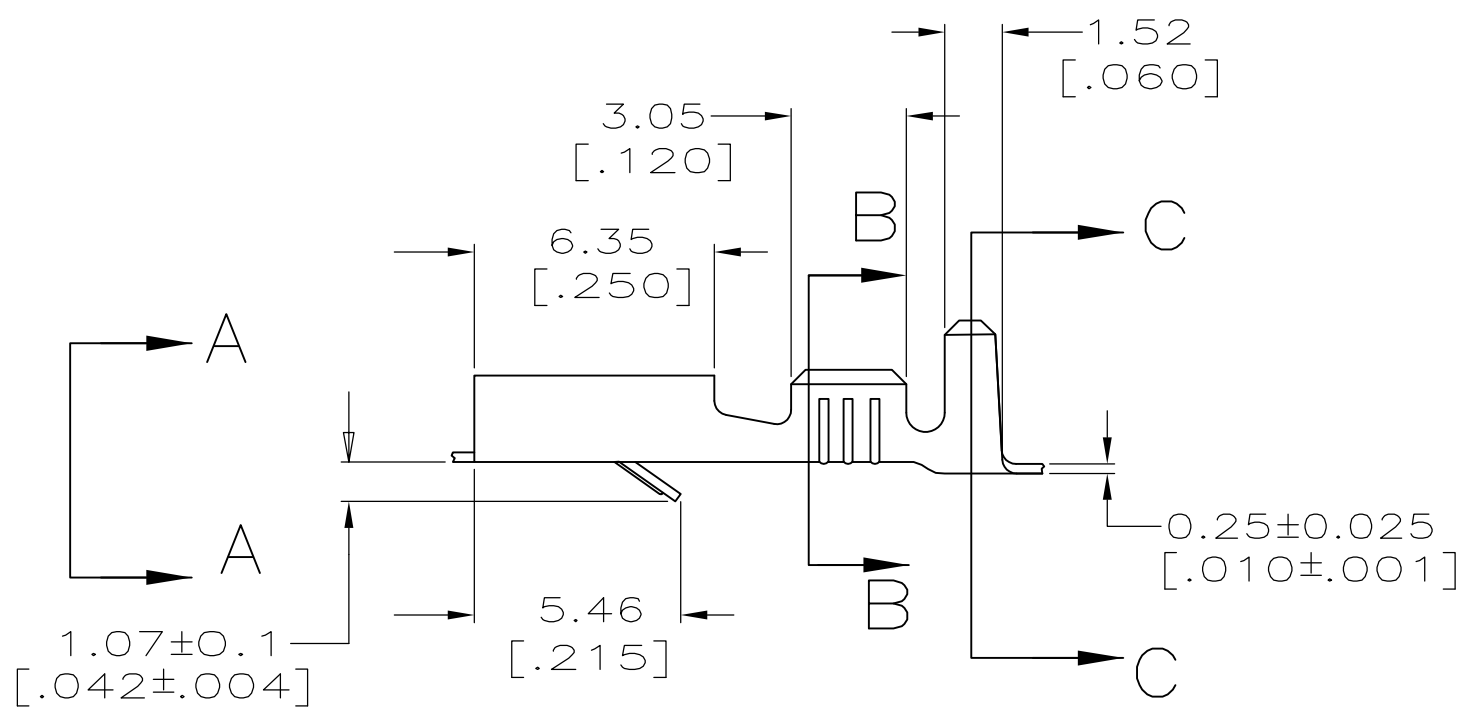


THIS DRAWING IS UNPUBLISHED. RELEASED FOR PUBLICATION
 © COPYRIGHT - By - ALL RIGHTS RESERVED.

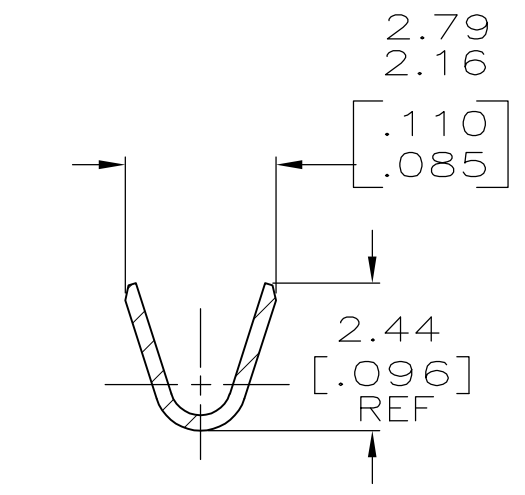
LOC	DIST	REVISIONS			
P	LTR	DESCRIPTION	DATE	DWN	APVD
AF	50	M	REVISED PER ECR-13-005733	27AUG2013	KH PD



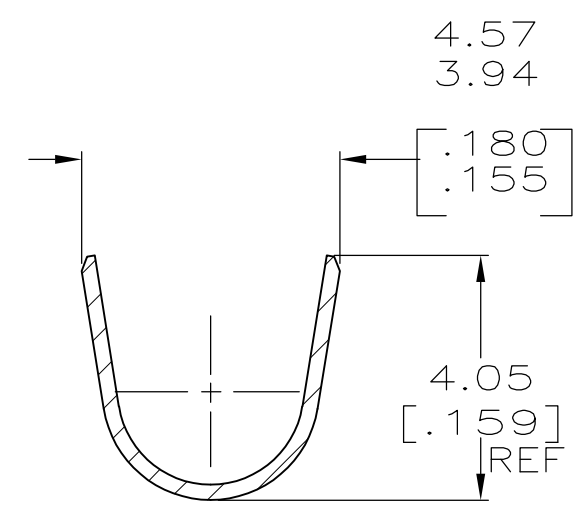
- 1 CONTINUOUS STRIP ON REELS.
- 2 MATING TAB THK TO BE 0.51 ± 0.025 [.020 ± .001].
- 3 WIRE SIZE IS [#22-#18] AWG.
- 4 INSULATION RANGE IS 2.03-3.05 [.080-.120] DIA.



VIEW A-A
SCALE 8:1



SECTION B-B
SCALE 8:1



SECTION C-C
SCALE 8:1

	PRE-TIN	63241-3
OBSOLETE	0.002032 [.000080] MIN TIN	63241-2
	-	63241-1
	FINISH	PART NO.

TYPE	WIDTH	STRIP LENGTH ±0.38 ±[.015]	TYPE	WIDTH	±.051±.002 HEIGHT	WIRE
F	3.56 [.140]	3.96 [.156]	F	1.78 [.070]	0.94 [.037]	[#22]
					1.02 [.040]	[#20]
					1.14 [.045]	[#18]
INSUL BARREL CRIMP	WIRE BARREL CRIMP					

THIS DRAWING IS A CONTROLLED DOCUMENT.

DWN	JR RUTH	3/27/97	TE Connectivity RECEPTACLE, FASTIN-FASTON, 2.79 [.110] SERIES
CHK	MS FEHER	3/27/97	
APVD	J GILLESPIE	3/27/97	
PRODUCT SPEC			
APPLICATION SPEC	114-2065		NAME
WEIGHT	-		SIZE
CUSTOMER DRAWING	A300779		CAGE CODE
	C-63241		DRAWING NO
	SCALE	5:1	RESTRICTED TO
	SHEET	1 OF 1	REV
			M

单击下面可查看定价，库存，交付和生命周期等信息

[>>TE Connectivity\(泰科\)](#)