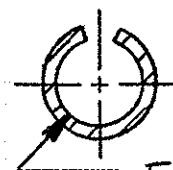
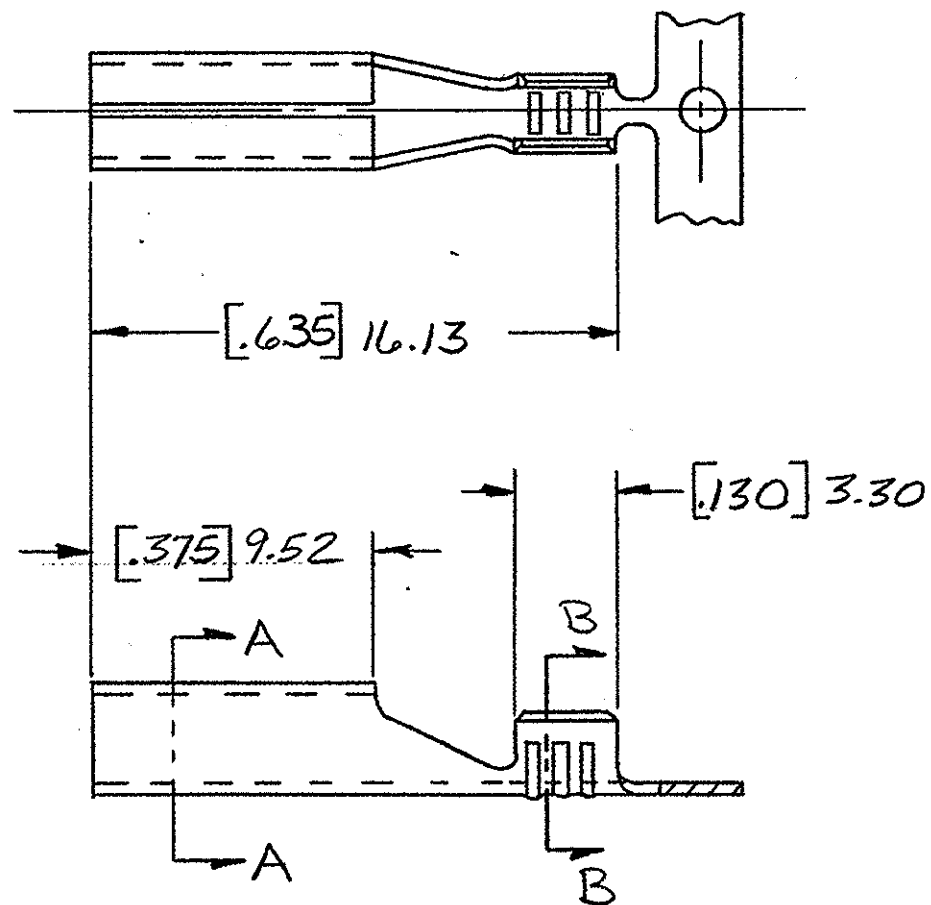


THIS DRAWING IS UNPUBLISHED, RELEASED FOR PUBLICATION, 19

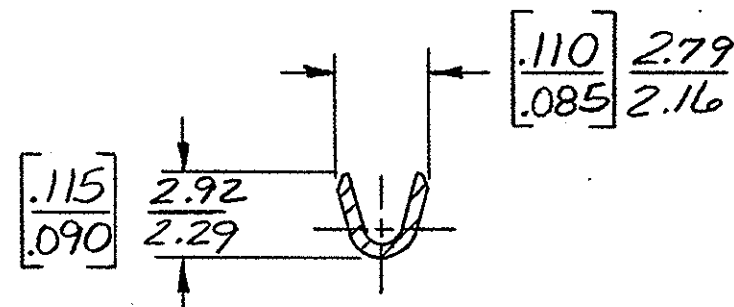
© COPYRIGHT 19 BY AMP INCORPORATED, HARRISBURG, PA. ALL INTERNATIONAL RIGHTS RESERVED. AMP PRODUCTS MAY BE COVERED BY U.S. AND FOREIGN PATENTS AND/OR PATENTS PENDING.

REVISIONS					
P/F	ZONE	LTR	DESCRIPTION	DATE	APPROVED
<i>[initials]</i>		A	RELEASED P.A.R	2-20-85	<i>[initials]</i>
<i>[initials]</i>		B	REVISED AF-1152	9/12/85	<i>[initials]</i>
		C	REVISED PER 063A-0109-02	05 MAR 02	<i>[initials]</i>



FITS .125 DIA PIN

SECT. A-A



SECT. B-B

- 1 - DIMENSIONS IN BRACKETS ARE IN INCHES
- 2 - CONTINUOUS STRIP ON REELS
- 3 - PRELIMINARY - NOT FOR PRODUCTION.

METRIC

	TIN	[22-18] 0.3-0.8 mm ²	3 63381-2
	NONE	[22-18] 0.3-0.8 mm ²	63381-1
	FINISH	WIRE SIZE	PART NO
UNLESS OTHERWISE SPECIFIED DIMENSIONS ARE IN INCHES. TOLERANCES ON: DECIMALS [±.010] 0.25 ANGLES ±	CONTRACT NO	AMP AMP INCORPORATED Harrisburg, Pa.	
	DR <i>[Signature]</i> 12/18/84		
MATERIAL [0.014] 0.36 BRASS	CHK <i>[Signature]</i> 12/18/84	NAME .125 DIA. PIN RECEPTACLE	
FINISH SEE TABLE	APPD <i>[Signature]</i> 12/19/84	SIZE B	FSCM NO 00779
	APPD <i>[Signature]</i> 12/20/84	DRAWING NO 63381	
	DSGN APPD	SCALE	SHEET
	OTHER APPD		

单击下面可查看定价，库存，交付和生命周期等信息

[>>TE Connectivity\(泰科\)](#)