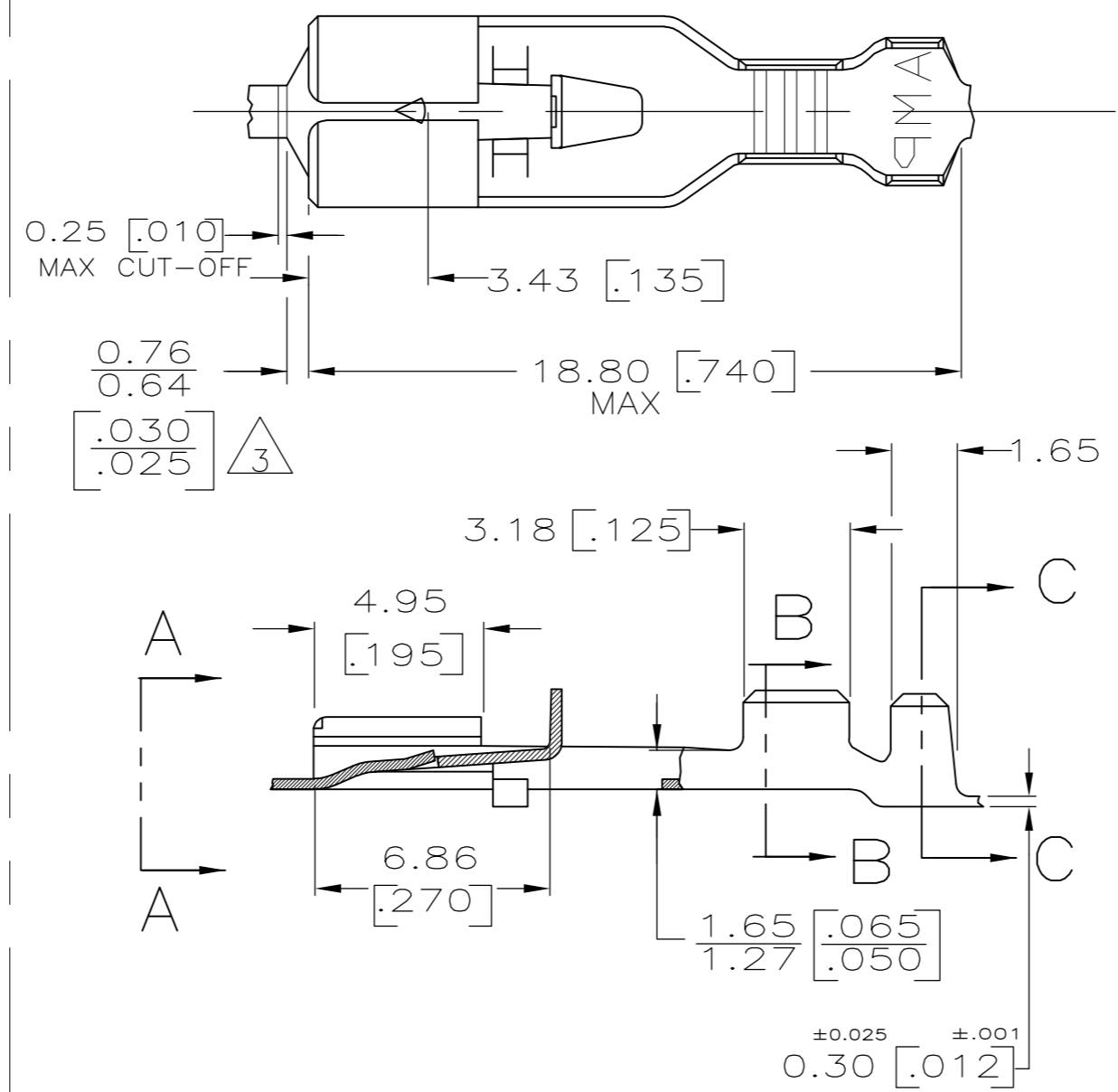
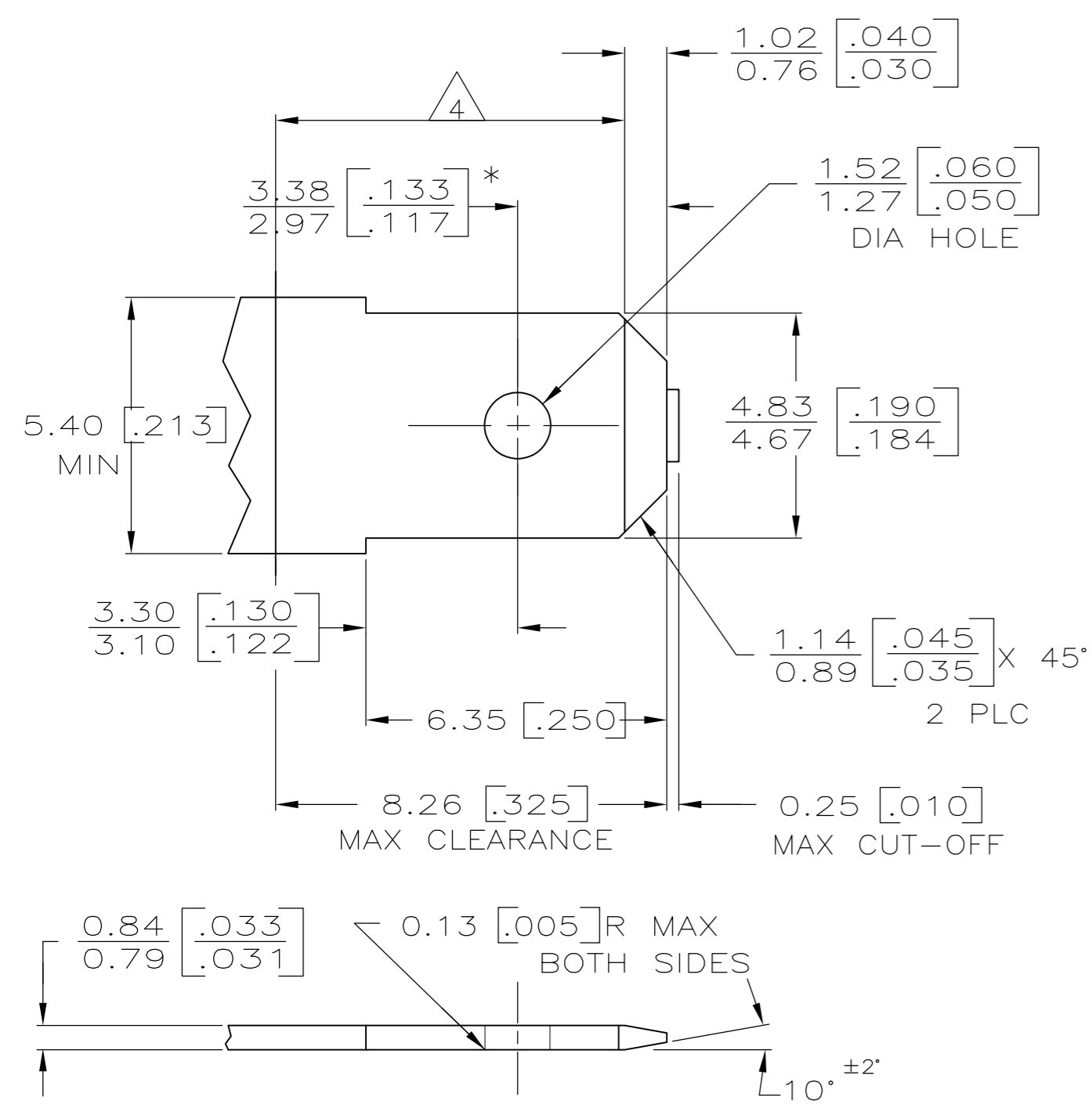


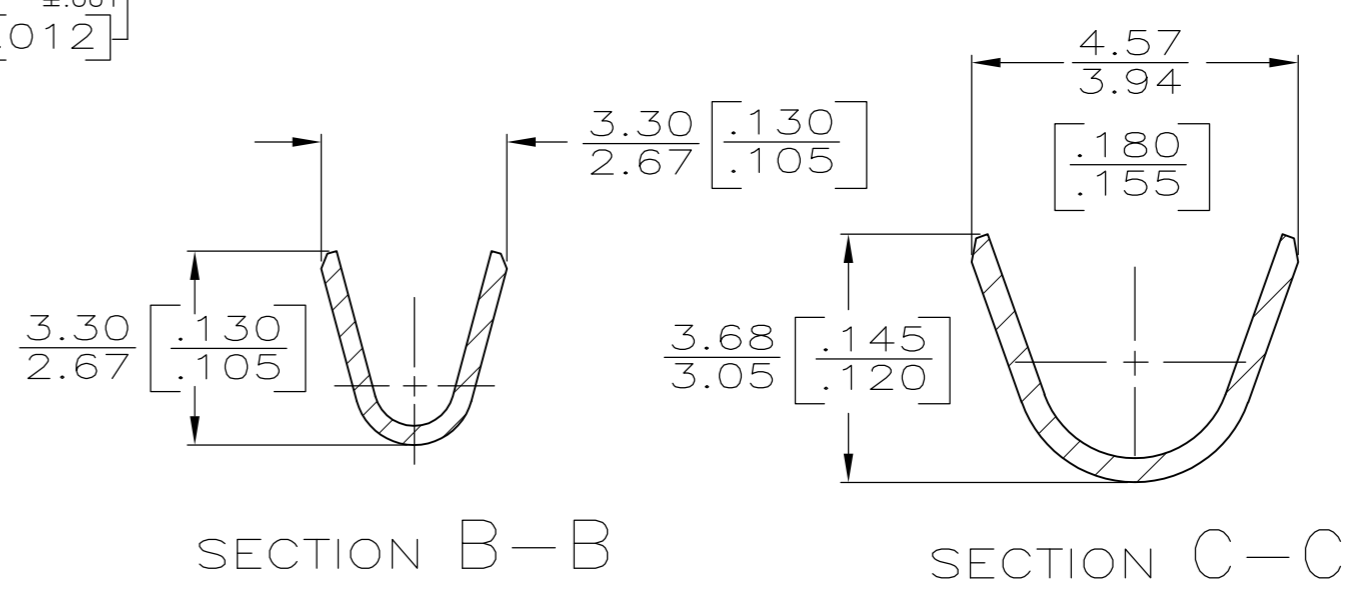
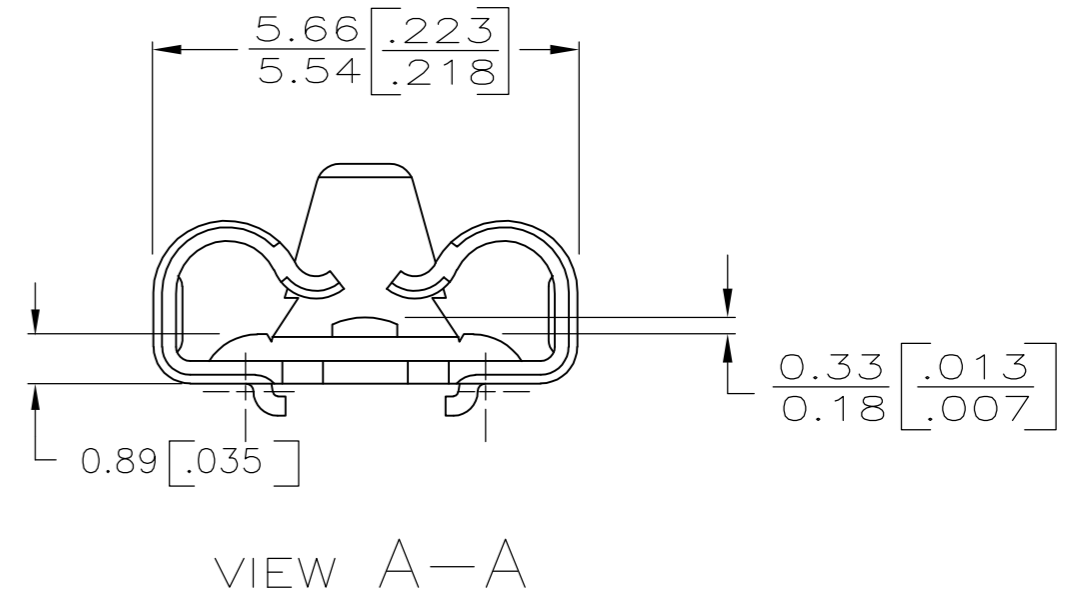
THIS DRAWING IS UNPUBLISHED. RELEASED FOR PUBLICATION
 © COPYRIGHT - By - ALL RIGHTS RESERVED.

| LOC | | DIST | | REVISIONS | | | |
|-----|-----|-------------|--|---------------------------|---------|------|----|
| P | LTR | DESCRIPTION | | DATE | DWN | APVD | |
| AF | 50 | E | | REVISED PER ECR-12-013486 | 08JAN13 | KH | KR |

SUGGESTED MATING TAB



- 1 DIMENSIONS IN BRACKETS ARE IN INCHES.
- 2 CONTINUOUS STRIP ON REELS.
- 3 THIS DIMENSIONS MUST BE MAINTAINED FOR PROPER FUNCTION OF THE LATCHING MECHANISM.
- 4 WIRE SIZE IS 0.5-1.4mm [20-16] AWG
- 5 INSULATION RANGE IS 1.52-2.79 [.060-.110] DIA



- 1 MATL: #2 HARD BRASS OR NICKEL PLATED STEEL.
 - 2 NO BURRS PERMISSIBLE AT HOLE.
 - 3 TIN PLATING IS REQUIRED ON BRASS WHEN TERMINAL TEMPERATURE IS OVER 225°F
 - 4 MUST BE FLAT WITHIN 0.076 [.003] OVER THIS LENGTH.
 - 5 HOLE MUST BE SYMMETRICAL ABOUT TAB CENTER WITHIN 0.076 [.003].
- * TO BE USED ONLY WHEN SHOULDER IS ELIMINATED.

| F OR O | 3.56 [.140] | 4.78 [.188] | F | 2.29 [.090] | 1.448 [.057] | 1.3mm [.16] |
|--------------------|-------------|--------------------|-------------------|-------------|----------------------|-------------|
| | | | | | 1.27 [.050] | 0.8mm [.18] |
| | | | | | 1.143 [.045] | 0.5mm [.20] |
| TYPE | WIDTH | STRIP LENGTH ±.015 | TYPE | WIDTH | ±.051 [±.002] HEIGHT | WIRE |
| INSUL BARREL CRIMP | | | WIRE BARREL CRIMP | | | |

| | |
|--------|----------|
| - | 63498-2 |
| TIN | 63498-1 |
| FINISH | PART NO. |

| | | | | | |
|---|-------|--------------|-----------|----------|---------------------|
| THIS DRAWING IS A CONTROLLED DOCUMENT. | | DWN | JR RUTH | 10/12/89 | TE Connectivity |
| DIMENSIONS: mm [INCHES] | | CHK | MS FEHER | 10/12/89 | |
| TOLERANCES UNLESS OTHERWISE SPECIFIED: | | APVD | R KUZO | 10/12/89 | |
| 0 PLC ± - 1 PLC ± - 2 PLC ± - 3 PLC ± 0.25 [.010] 4 PLC ± - ANGLES ± - | | PRODUCT SPEC | | | |
| MATERIAL | BRASS | FINISH | SEE TABLE | WEIGHT | - |
| CUSTOMER DRAWING | | SCALE | 5:1 | SHEET | 1 OF 1 |

单击下面可查看定价，库存，交付和生命周期等信息

[>>TE Connectivity\(泰科\)](#)