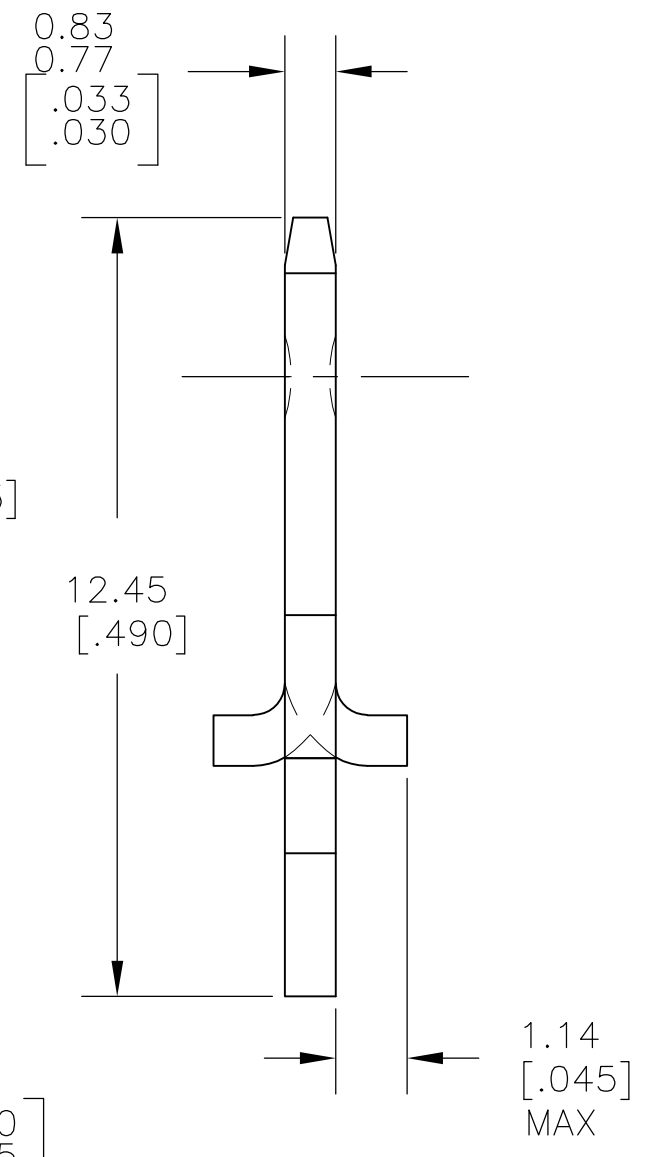
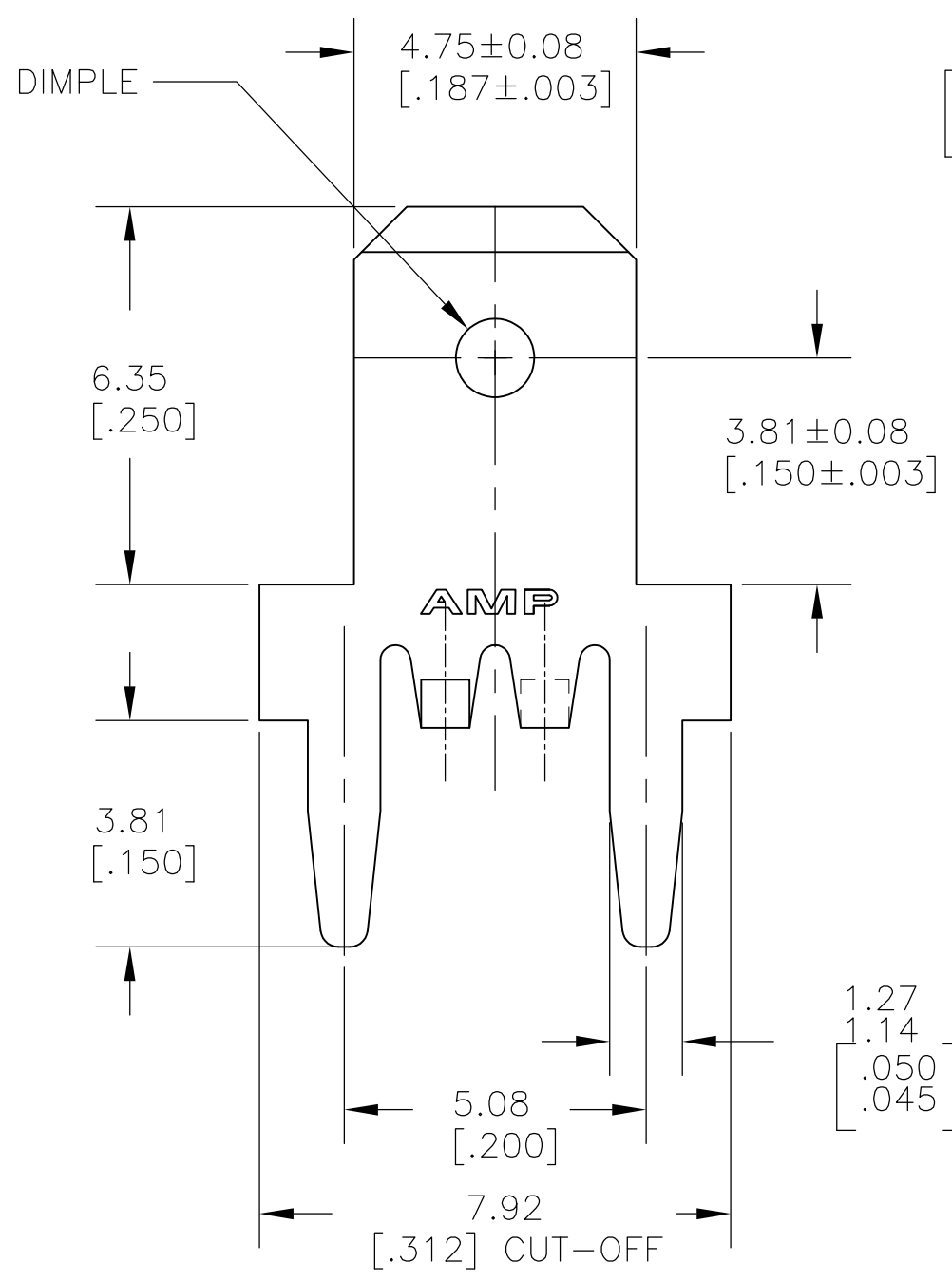
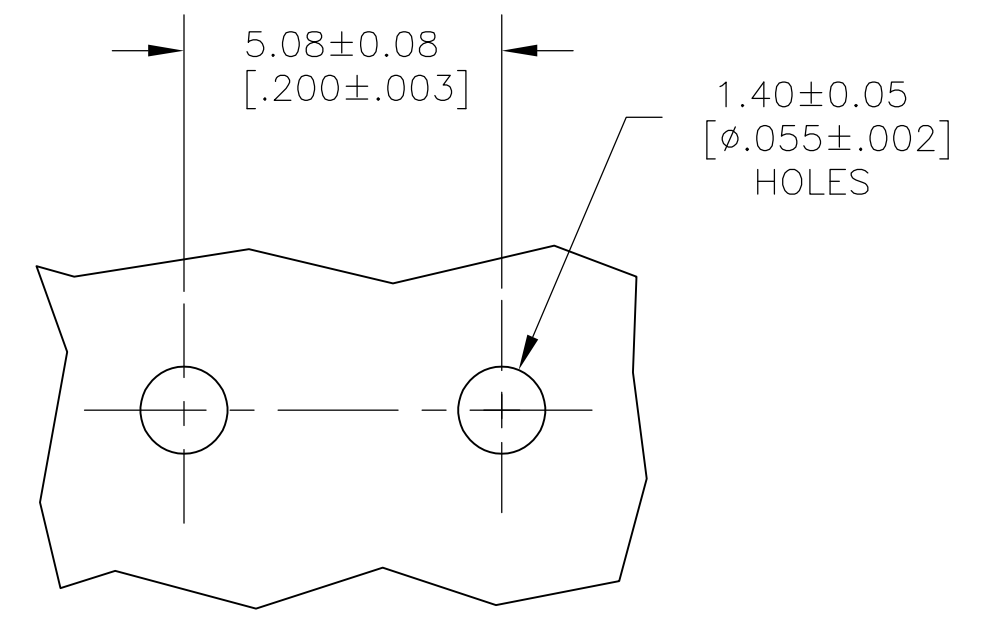


THIS DRAWING IS UNPUBLISHED. RELEASED FOR PUBLICATION
 © COPYRIGHT - By - ALL RIGHTS RESERVED.

REVISIONS					
P	LTR	DESCRIPTION	DATE	DWN	APVD
	H	REVISED PER ECR-13-001204	24JUN13	KH	PD
	H1	REVISED PER ECR-16-004258	25MAR16	JJ	TD



- 1 CONTINUOUS STRIP ON REELS.
- 2 TIN PLATE 0.00381 [.000150] MIN OVER 0.00254 [.000100] MIN THK COPPER OR TIN PLATE 0.00381 [.000150] MIN OVER 0.00127 [.000050] MIN THK NICKEL.
- 3 LOOSE PIECE TYPE.
- 4 PREPRODUCTION FASR REQUIRED.



P.C. BOARD HOLE PATTERN

4	3	63860-2
	1	63860-1
		PART NO.

THIS DRAWING IS A CONTROLLED DOCUMENT.		DWN	JR RUTH	13FEB01	TE Connectivity											
		CHK	MS FEHER	20FEB01												
DIMENSIONS: mm [INCHES]		TOLERANCES UNLESS OTHERWISE SPECIFIED:		APVD	N DEIBERT	20FEB01	NAME	TAB, FASTON, P.C.BOARD								
		0 PLC	± -	PRODUCT SPEC		-		4.75 [.187]								
		1 PLC	± -	APPLICATION SPEC		-		SIZE	CAGE CODE	DRAWING NO	RESTRICTED TO					
		2 PLC	± 0.25 [.010]	-		-		A3	00779	C-63860	-					
		3 PLC	± -	-		-		WEIGHT		0.376	SCALE	8:1	SHEET	1 OF 1	REV	H1
		4 PLC	± -	-		-		CUSTOMER DRAWING								
		ANGLES	± -	-		-		MATERIAL		BRASS						
		FINISH	-2	-		-										

单击下面可查看定价，库存，交付和生命周期等信息

[>>TE Connectivity\(泰科\)](#)