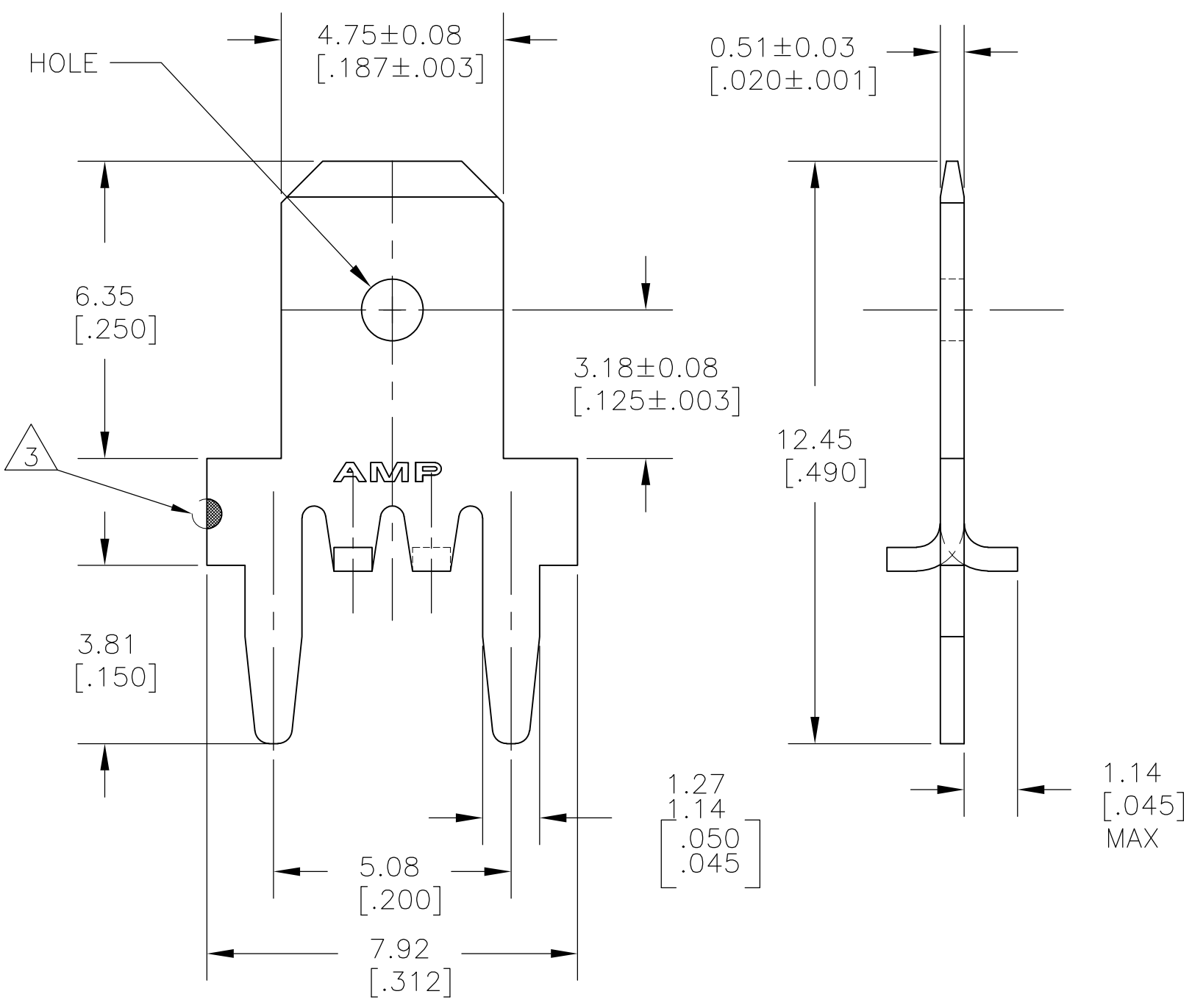
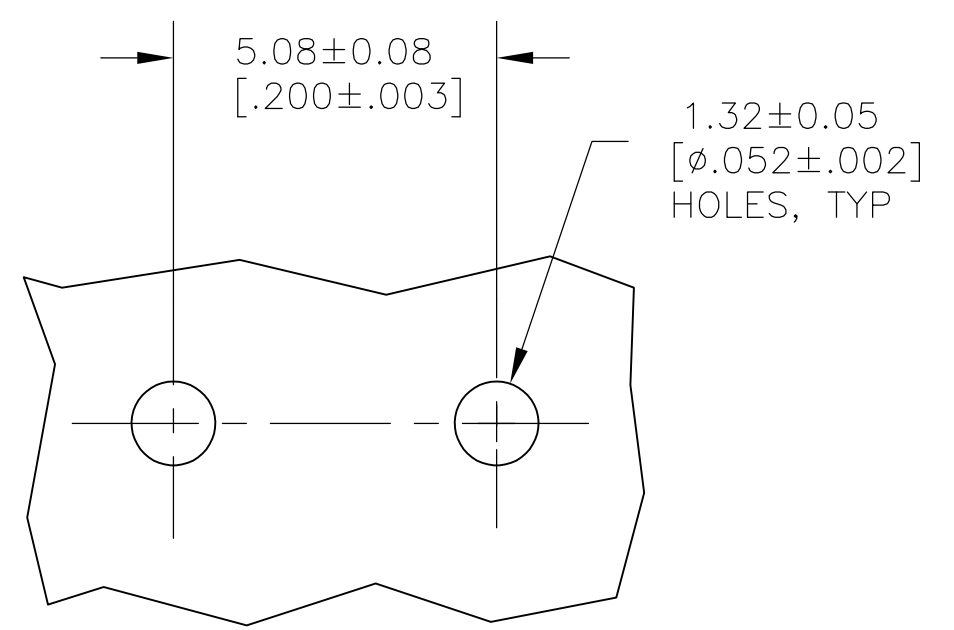


THIS DRAWING IS UNPUBLISHED. RELEASED FOR PUBLICATION  
 © COPYRIGHT - By - ALL RIGHTS RESERVED.

| LOC |     | DIST        |  | REVISIONS                 |         |      |    |
|-----|-----|-------------|--|---------------------------|---------|------|----|
| P   | LTR | DESCRIPTION |  | DATE                      | DWN     | APVD |    |
| AF  | 50  | E           |  | REVISED PER ECR-13-001204 | 24JUN13 | KH   | PD |



- 1 SUPPLIED IN LOOSE PIECE
- 2 TIN PLATE 0.00381 [.000150] MIN OVER 0.00254 [.000100] MIN THK COPPER OR TIN PLATE 0.00381 [.000150] MIN OVER 0.00127 [.000050] MIN NICKEL.
- 3 OPTIONAL ID MARK, LOCATED APPROX AS SHOWN.



P.C. BOARD HOLE PATTERN

|           |          |
|-----------|----------|
| 63823-1   | 63982-1  |
| STRIP P/N | PART NO. |

|   |  |                  |           |            |  |               |       |              |  |  |
|---|--|------------------|-----------|------------|--|---------------|-------|--------------|--|--|
| THIS DRAWING IS A CONTROLLED DOCUMENT.  |  | DWN              | JR RUTH   | 13FEB01    | TE Connectivity<br>NAME<br>TAB, FASTON, P.C.BOARD<br>4.75 [.187] |               |       |              |  |  |
| DIMENSIONS: mm [INCHES]   |  | CHK              | MS FEHER  | 13FEB01    |  |               |       | APVD         |  |  |
| TOLERANCES UNLESS OTHERWISE SPECIFIED:  |  | APVD             | N DEIBERT | 13FEB01    |  |               |       | PRODUCT SPEC |  |  |
| 0 PLC ± -<br>1 PLC ± -<br>2 PLC ± 0.25 [.010]<br>3 PLC ± -<br>4 PLC ± -<br>ANGLES ± - |  | APPLICATION SPEC |           | 114-2115   |  |               |       |              |  |  |
| MATERIAL  |  | FINISH           |           | WEIGHT     |  | RESTRICTED TO |       |              |  |  |
| BRASS   |  | 2                |           | -          |  | -             |       |              |  |  |
| CUSTOMER DRAWING  |  |                  |           | SIZE       | A3   | CAGE CODE     | 00779 |              |  |  |
|   |  |                  |           | DRAWING NO | C-63982  |               | REV   |              |  |  |
|   |  |                  |           | SCALE      | 8:1  |               | E     |              |  |  |
|   |  |                  |           | SHEET      | 1 OF 1   |               |       |              |  |  |

单击下面可查看定价，库存，交付和生命周期等信息

[>>TE Connectivity\(泰科\)](#)