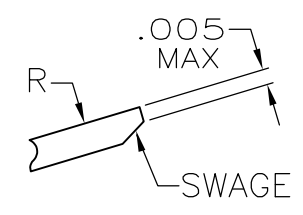
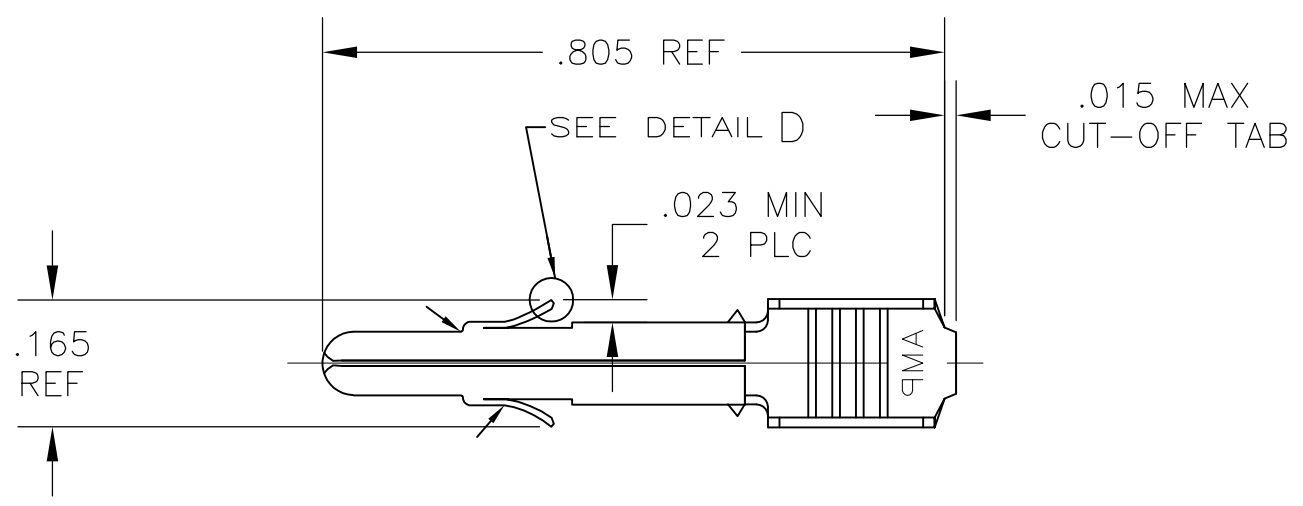


THIS DRAWING IS UNPUBLISHED. RELEASED FOR PUBLICATION
 © COPYRIGHT - By - ALL RIGHTS RESERVED.

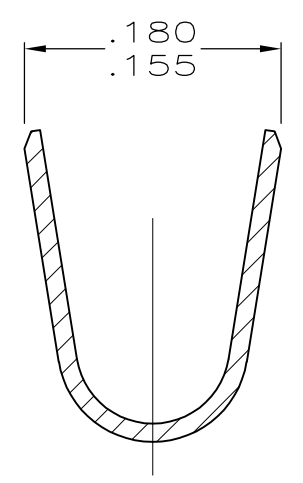
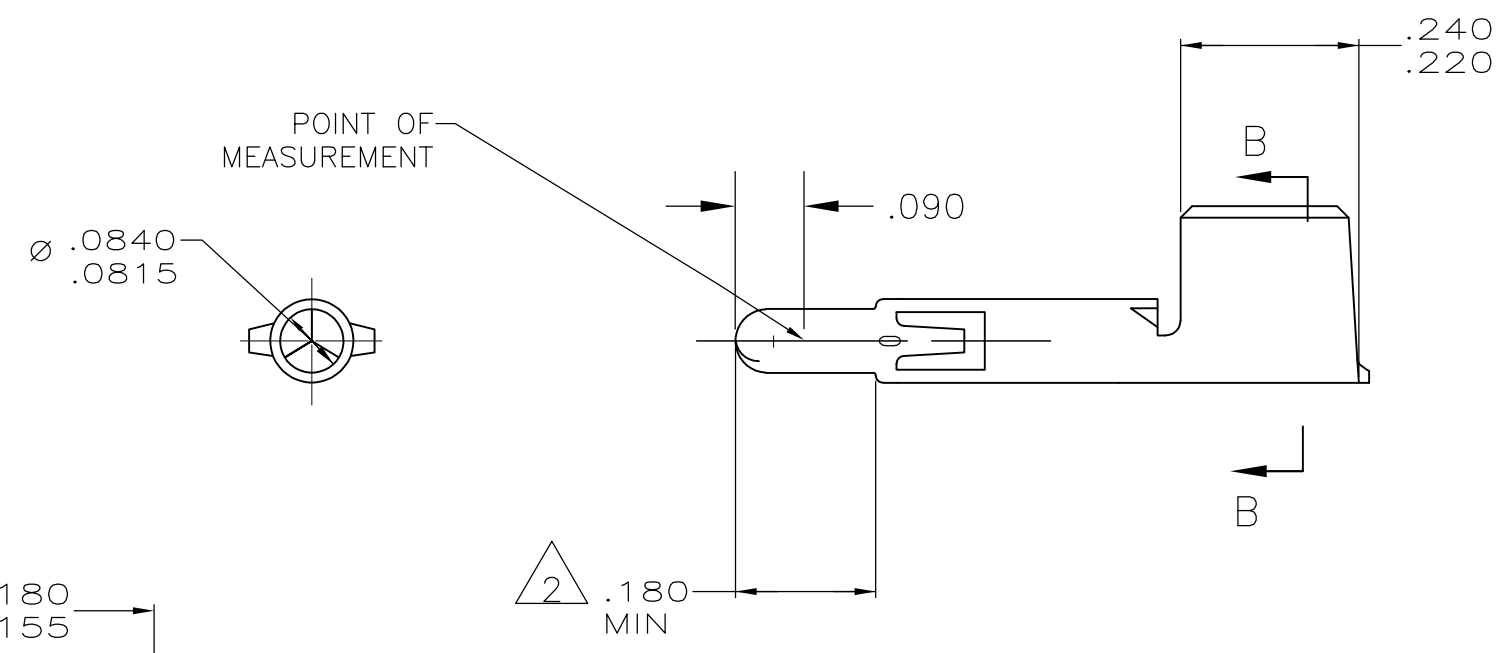
LOC	DIST	REVISIONS					
		P	LTR	DESCRIPTION	DATE	DWN	APVD
CM	00		J2	REV PER ECO 11-020508	11OCT11	JR	PD
			J3	REVISED PER ECR-14-004102	28MAR14	AV	KD



DETAIL C
SCALE 20:1



- WIRE RANGE : 12-10 AWG
INSULATION RANGE: .200 DIA MAX
(LIMITED BY THE CONNECTOR HOUSING CAVITY).
- PLATED WITH .000030 GOLD, OVER
.000050 NICKEL UNDERPLATE.



SECTION B-B
SCALE 10:1

GOLD $\triangle 2$.012 PHOS. BRZ.	640309-6
PRE-TIN	.12 PHOS. BRZ.	640309-3
FINISH	MATERIAL	PART NUMBER

THIS DRAWING IS A CONTROLLED DOCUMENT.		DWN	JR RUTH	11OCT11	TE Connectivity PIN, UNIVERSAL MATE-N-LOK(TM)		
DIMENSIONS: INCHES		CHK	TOM MICHIELUTTI	11OCT11			
TOLERANCES UNLESS OTHERWISE SPECIFIED:		APVD	TOM MICHIELUTTI	11OCT11			
0 PLC ± - 1 PLC ± - 2 PLC ± - 3 PLC ± .015 4 PLC ± - ANGLES ± -		NAME					
MATERIAL		FINISH		PRODUCT SPEC	RESTRICTED TO		
				APPLICATION SPEC	SIZE	CAGE CODE	DRAWING NO
				WEIGHT	A3 00779		C-640309
CUSTOMER DRAWING				SCALE	4:1	SHEET	1 OF 1
				REV	J3		

单击下面可查看定价，库存，交付和生命周期等信息

[>>TE Connectivity\(泰科\)](#)