

THIS DRAWING IS UNPUBLISHED.

RELEASED FOR PUBLICATION

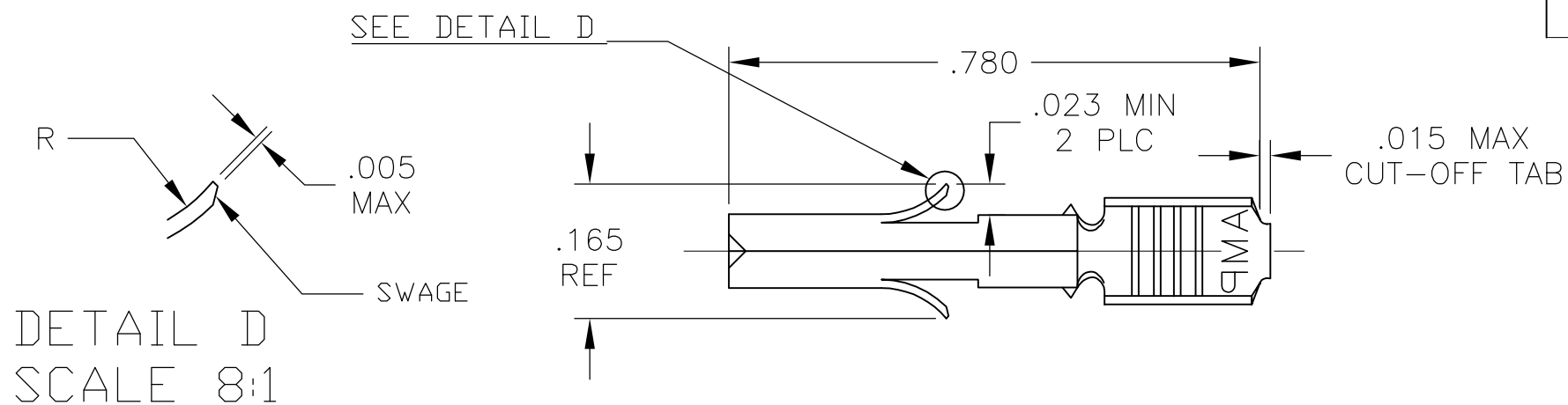
ALL RIGHTS RESERVED.

© COPYRIGHT - By -

LOC AF DIST 50

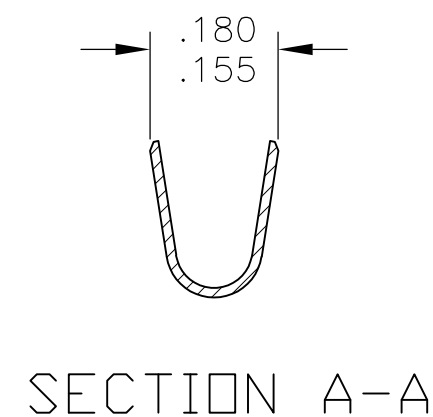
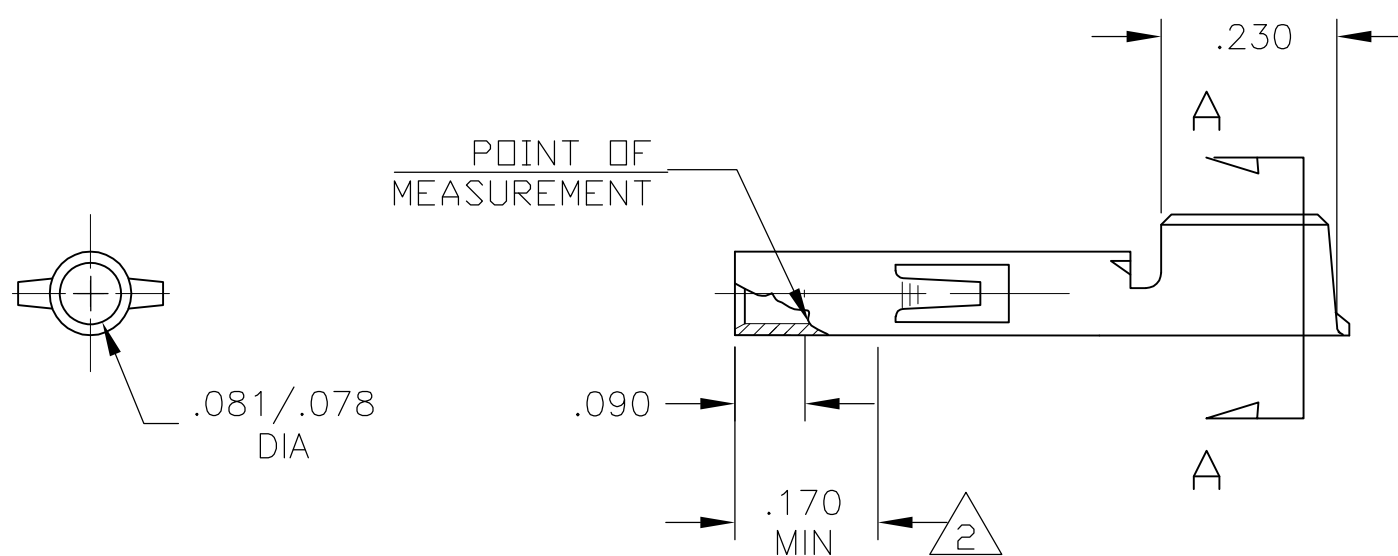
REVISIONS

P	LTR	DESCRIPTION	DATE	DWN	APVD
G2		REV PER ECO 11-020508	11OCT11	JR	TM



1. WIRE RANGE : 12-10 AWG  
INSULATION RANGE: .200 DIA MAX  
(LIMITED BY THE CONNECTOR HOUSING CAVITY).
2. .000030 THK GOLD, OVER .000050 NICKEL UNDERPLATE ON INSIDE OF RECEPTACLE, REMAINDER OF CONTACT IS NICKEL PLATED.

DETAIL D  
SCALE 8:1



GOLD $\triangle_2$	.012±.001 PHOS BRZ	640310-6
PRE-TIN	.012±.001 PHOS BRZ	640310-3
FINISH	MATERIAL	PART NUMBER

THIS DRAWING IS A CONTROLLED DOCUMENT.

DIMENSIONS: INCHES	TOLERANCES UNLESS OTHERWISE SPECIFIED:
	0 PLC ± -
	1 PLC ± -
	2 PLC ± -
	3 PLC ± .010
	4 PLC ± -
	ANGLES ± -
MATERIAL	FINISH
-	-

DWN	jr_ruth	11OCT11
CHK	TOM MICHIELUTTI	11OCT11
APVD	TOM MICHIELUTTI	11OCT11
PRODUCT SPEC	NAME	
APPLICATION SPEC	SOCKET UNIVERSAL MATE-N-LOK LOOSE PIECE	
WEIGHT	SIZE	CAGE CODE
-	A3	00779
CUSTOMER DRAWING		DRAWING NO
		C-640310

<b>STE</b> TE Connectivity		
RESTRICTED TO	-	
SCALE	SHEET	REV
4:1	1 OF 1	G2

单击下面可查看定价，库存，交付和生命周期等信息

[>>TE Connectivity\(泰科\)](#)