

THIS DRAWING IS UNPUBLISHED.

RELEASED FOR PUBLICATION

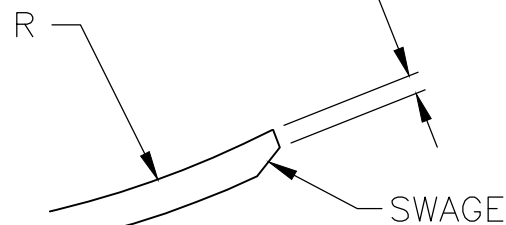
ALL RIGHTS RESERVED.

© COPYRIGHT - By -

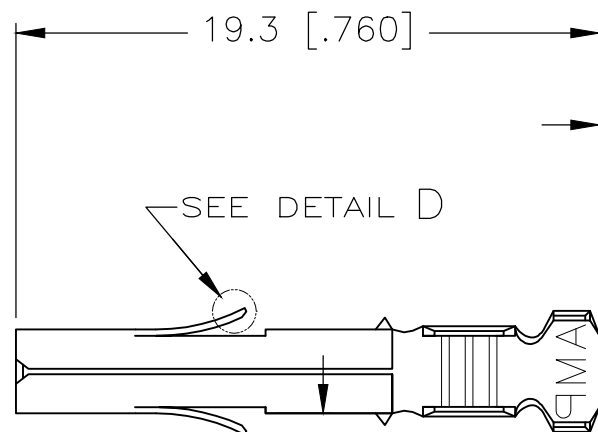
REVISIONS

P	LTR	DESCRIPTION	DATE	DWN	APVD
	H1	REVISED PER ECO-18-005506	11APR2018	RS	SF

0.13 [.005] MAX



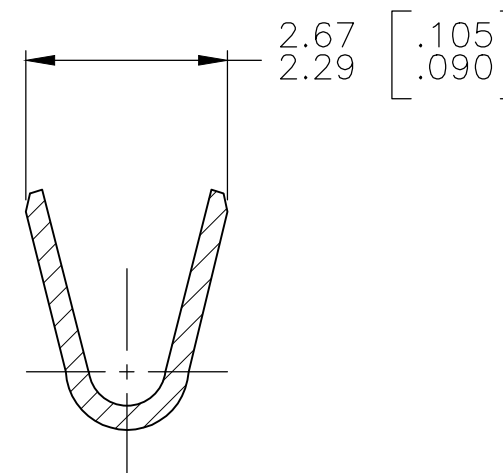
DETAIL H
SCALE 20:1



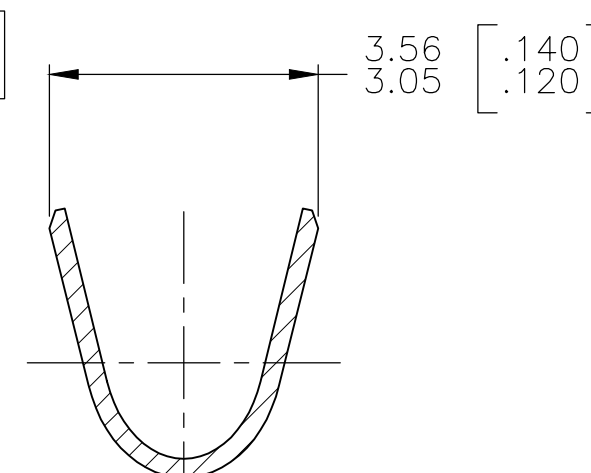
0.58 [.023] MIN

0.25 [.010]
MAX CUT-OFF

SEE DETAIL D



SECTION A-A
SCALE 10:1

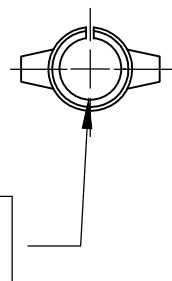


SECTION B-B
SCALE 10:1

3.43 [.135]
2.92 [.115]

1.65 [.065]
1.14 [.045]

POINT OF MEASUREMENT



2.06 [.081]
1.98 [.078]

2.29 [.090]

4.57 [.180]

LOCALIZED GOLD
PLATE AREA



0.00076 [.000030] THICK GOLD OVER NICKEL ON INSIDE OF RECEPTACLE AND WIRE BARREL AND REMAINDER OF CONTACT IS NICKEL PLATED.

2 24 -18 AWG.

3 INSULATION RANGE: 1.02-2.54 [.040-.100] DIA.

1	GOLD	0.3 [.012] BRASS	640347-2
	PRE-TIN	0.3 [.012] BRASS	640347-1
	FINISH	MATERIAL	PART NUMBER

THIS DRAWING IS A CONTROLLED DOCUMENT.		DWN K. WHITAKER 14MAR2007	STE TE Connectivity Ltd.	
DIMENSIONS: mm [INCHES]		CHK D. COLEY 14MAR2007		
TOLERANCES UNLESS OTHERWISE SPECIFIED:		APVD D. COLEY 14MAR2007	NAME SOCKET, MATE-N-LOK(TM), LOOSE PIECE	
0 PLC ± -		PRODUCT SPEC	SIZE	
1 PLC ± -		APPLICATION SPEC	CAGE CODE	DRAWING NO
2 PLC ± 0.38[.015]		WEIGHT	00779	C-640347
3 PLC ± -		CUSTOMER DRAWING	SCALE	SHEET
4 PLC ± -			4:1	1 OF 1
ANGLES ± 0°30'				REV H1
MATERIAL	FINISH			
-	-			

单击下面可查看定价，库存，交付和生命周期等信息

[>>TE Connectivity\(泰科\)](#)