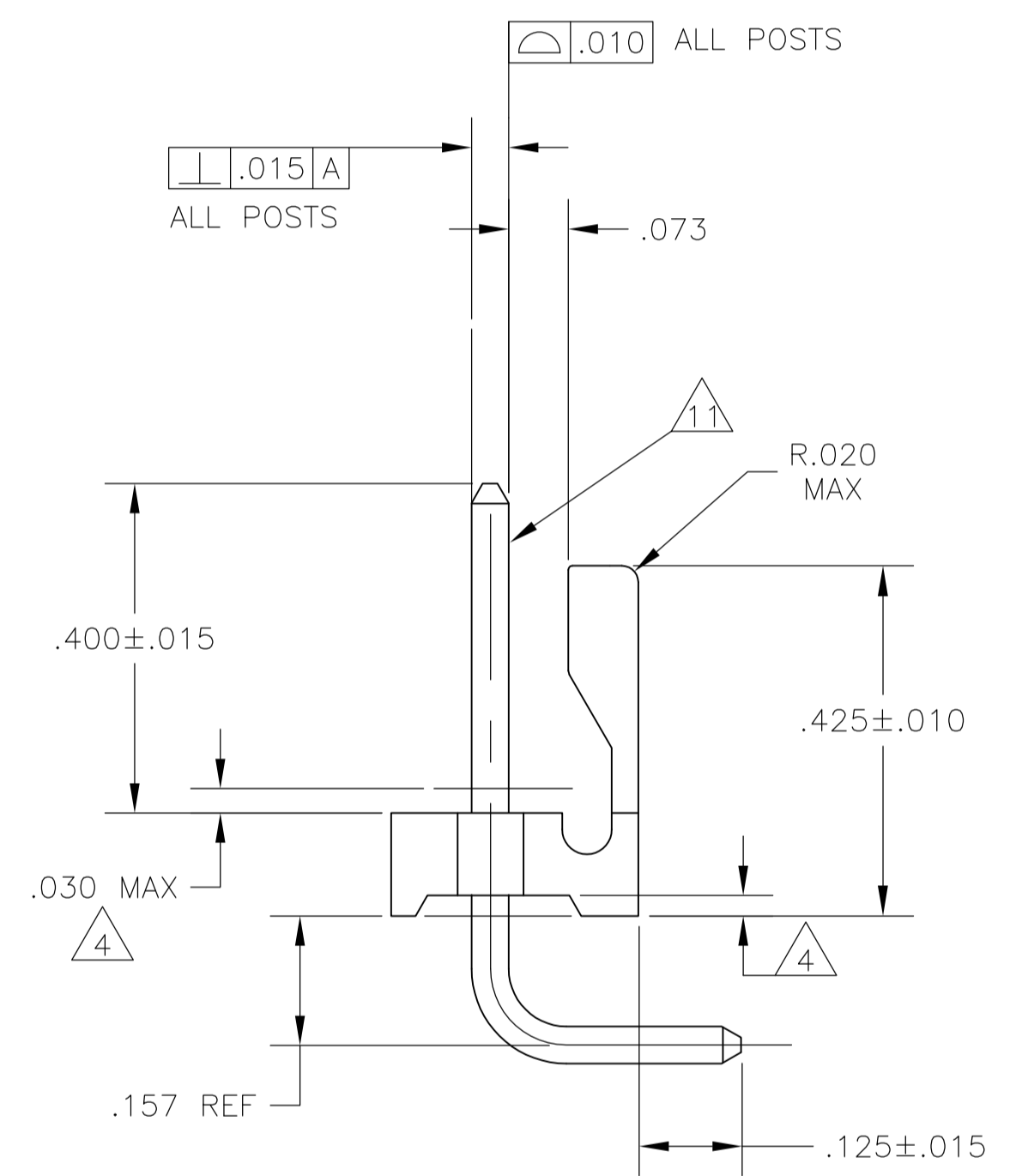
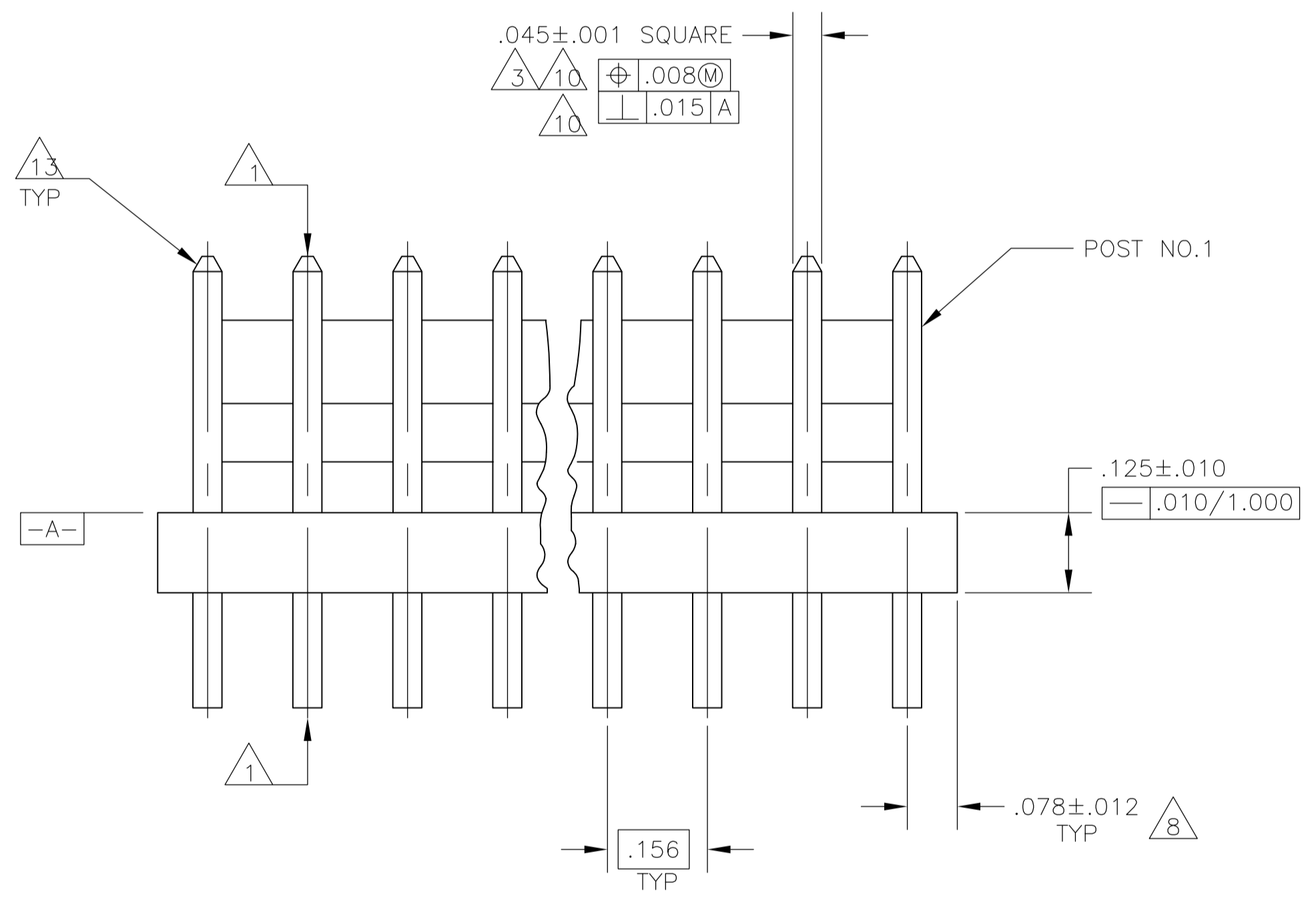


RECOMMENDED MOUNTING HOLE PATTERN FOR .063 THICK P.C. BOARD



- 1 POST TO WITHSTAND 13 NEWTONS (3LBS.) MIN. AXIAL FORCE IN BOTH DIRECTIONS SHOWN WITHOUT DISLODGING.
- 2 TOLERANCES APPLY TO SOLDER SIDE OF BOARD.
- 3 MEASURED AT SURFACE [-A-]
- 4 PLASTIC FLASH PERMITTED IN THIS AREA.
- 5 PARTS COMPLY WITH AMP SOLDERABILITY SPEC. NO. 109-11-2.
- 6 ONE HOLE MAY BE UNDERSIZED (.065 - .060 DIA.) FOR ASSEMBLY RETENTION DURING WAVE SOLDERING.
- 7 MATERIAL: HEADER-THERMOPLASTIC POLYESTER
GLASS-FILLED 94V-0 (NATURAL)
POST-COPPER ALLOY (TIN PLATED)
- 8 COORDINATE DIMENSION APPLIES FROM CENTER OF ACTUAL FEATURE.
- 9 PLASTIC BURRS CAUSED BY CUT-OFF TOOLING ARE PERMITTED WITHIN THE MAXIMUM TOLERANCE ENVELOPE.
- 10 POST TO BE MEASURED WHEN STRIP IS HELD FLAT.
- 11 POST MUST WITHSTAND TWO 90° BENDS AGAINST EXTRUSION WITHOUT BREAKING.
- 12 DIMENSION SHOULD BE .500-.650 WHEN MATING WITH A MTA 156 CONNECTOR ASSEMBLY OR .500 MIN WHEN MATING WITH A SL-156 CONNECTOR ASSEMBLY.
- 13 PIN BURR OF .005 MAX. VERTICAL AND .003 MAX. HORIZONTAL PERMITTED AT POST TIPS ON BOTH ENDS.

.068	1.73	-	-
.065	1.65	1.000	25.40
.063	1.60	.650	16.51
.060	1.52	.500	12.70
.045	1.14	.450	11.43
.030	0.76	.425	10.80
.015	0.38	.300	7.62
.012	0.30	.180	4.57
.010	0.25	.157	3.99
.008	0.20	.156	3.96
.005	0.13	.125	3.18
.003	0.08	.078	1.98
.001	0.03	.073	1.85
.000	0.00	.070	1.78

CONVERSION TABLE

95.10	3.744	24	2-640387-4
91.14	3.588	23	2-640387-3
87.17	3.432	22	2-640387-2
83.21	3.276	21	2-640387-1
79.25	3.120	20	2-640387-0
75.29	2.964	19	1-640387-9
71.32	2.808	18	1-640387-8
67.36	2.652	17	1-640387-7
63.40	2.496	16	1-640387-6
59.44	2.340	15	1-640387-5
55.47	2.184	14	1-640387-4
51.51	2.028	13	1-640387-3
47.55	1.872	12	1-640387-2
43.59	1.716	11	1-640387-1
39.62	1.560	10	1-640387-0
35.66	1.404	9	640387-9
31.70	1.248	8	640387-8
27.74	1.092	7	640387-7
23.77	.936	6	640387-6
19.81	.780	5	640387-5
15.85	.624	4	640387-4
11.89	.468	3	640387-3
7.92	.312	2	640387-2
MM	[IN]	NUMBER OF POSITIONS	PART NUMBER

THIS DRAWING IS A CONTROLLED DOCUMENT.

REVISED PER ECO-12-018706

DATE: 24OCT12

BY: JR

APP'D: SM

SCALE: 5:1

SHEET: 1 OF 1

REV: AE1

STE TE Connectivity

MTA-156 HEADER ASSEMBLY, FRICTION LOCK, RIGHT ANGLE, REAR BEND, .045 SQUARE POST, TIN PLATED

SIZE: A1

WEIGHT: -

CUSTOMER DRAWING

单击下面可查看定价，库存，交付和生命周期等信息

[>>TE Connectivity\(泰科\)](#)