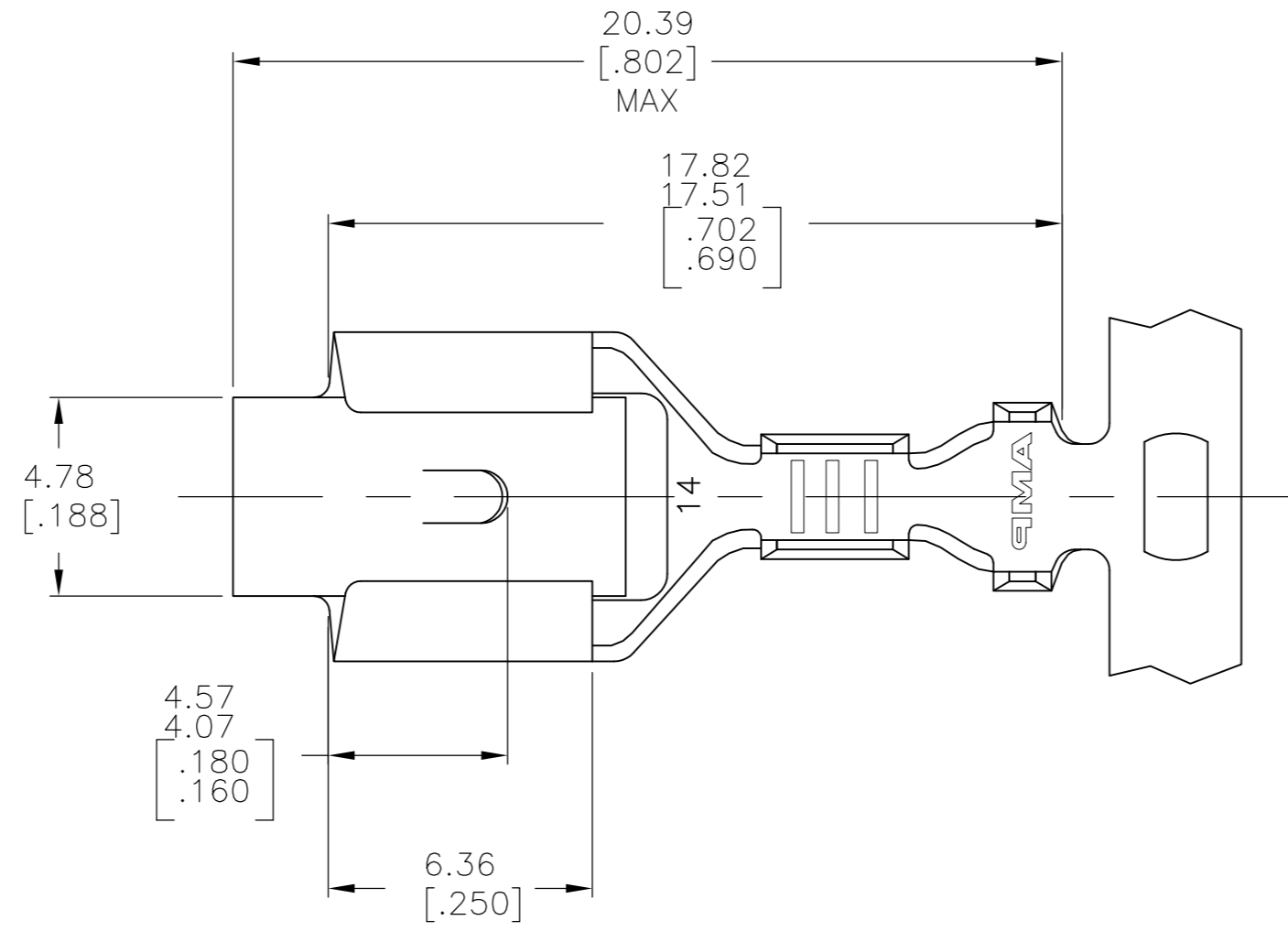
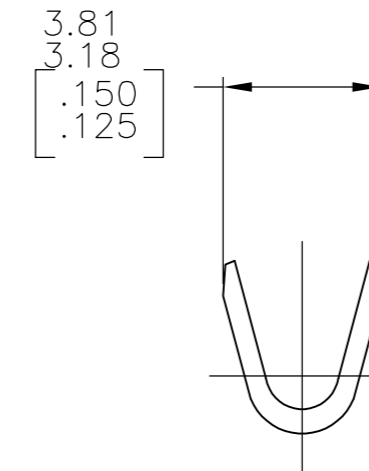


THIS DRAWING IS UNPUBLISHED. RELEASED FOR PUBLICATION
 © COPYRIGHT BY TYCO ELECTRONICS CORPORATION. ALL RIGHTS RESERVED.

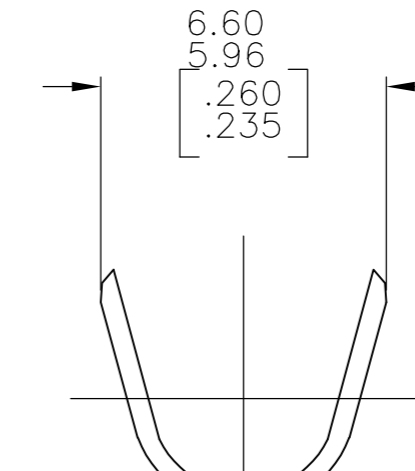
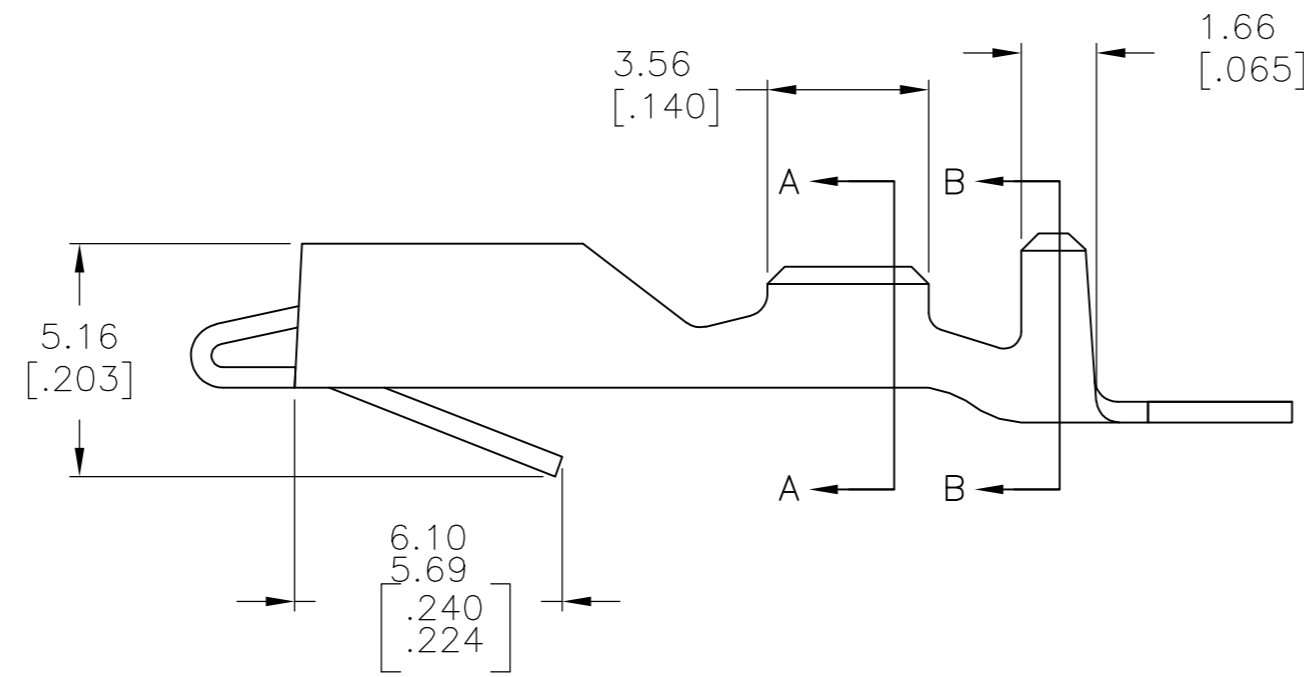
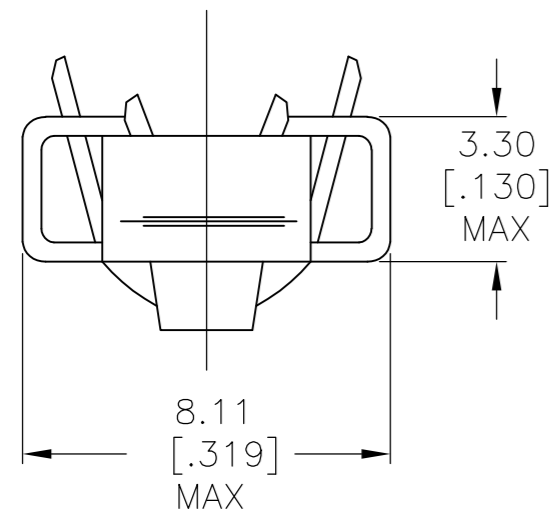
| LOC | DIST | REVISIONS | | | |
|-----|------|-------------|---------------------------|---------|--------|
| P | LTR | DESCRIPTION | DATE | DWN | APVD |
| AF | 50 | L1 | REVISED PER ECR-08-021551 | 11SEP08 | HMR KR |



1 PRELIMINARY - NOT FOR PRODUCTION
 2 SPECIAL REELING



SECTION A-A



SECTION B-B

| - | PRE-TIN 2 | .154 MAX | 18-14 | 1 640417-4 |
|-------------|------------------------------|------------------|-----------|-------------|
| - | POST-TIN WITH CORROSION LUBE | .154 MAX | 18-14 | 1 640417-3 |
| - | PRE-TIN | .154 MAX | 18-14 | 640417-2 |
| 641257-1 | NONE | .154 MAX | 18-14 | 640417-1 |
| LOOSE PIECE | FINISH | INSULATION RANGE | WIRE SIZE | PART NUMBER |

| | | | | |
|--|------------------|----------------------------|---|--|
| THIS DRAWING IS A CONTROLLED DOCUMENT. | | DWN RAGHAVENDRA 15MAY08 | Tyco Electronics Corporation Harrisburg, Pa 17105-3608 | |
| DIMENSIONS: mm [INCHES] | | CHK RANDOLPH KURT 15MAY08 | NAME | |
| TOLERANCES UNLESS OTHERWISE SPECIFIED: | | APVD RANDOLPH KURT 15MAY08 | .250 BLADE, RECEPTACLE | |
| 0 PLC ± - | | PRODUCT SPEC | SIZE CAGE CODE DRAWING NO RESTRICTED TO | |
| 1 PLC ± - | | APPLICATION SPEC | A2 00779 C=640417 | |
| 2 PLC ± - | | WEIGHT | SCALE SHEET OF REV | |
| 3 PLC ± .015 | | CUSTOMER DRAWING | 6:1 1 OF 1 L1 | |
| 4 PLC ± - | | | | |
| ANGLES ± - | | | | |
| MATERIAL BRASS | FINISH SEE TABLE | | | |

单击下面可查看定价，库存，交付和生命周期等信息

[>>TE Connectivity\(泰科\)](#)