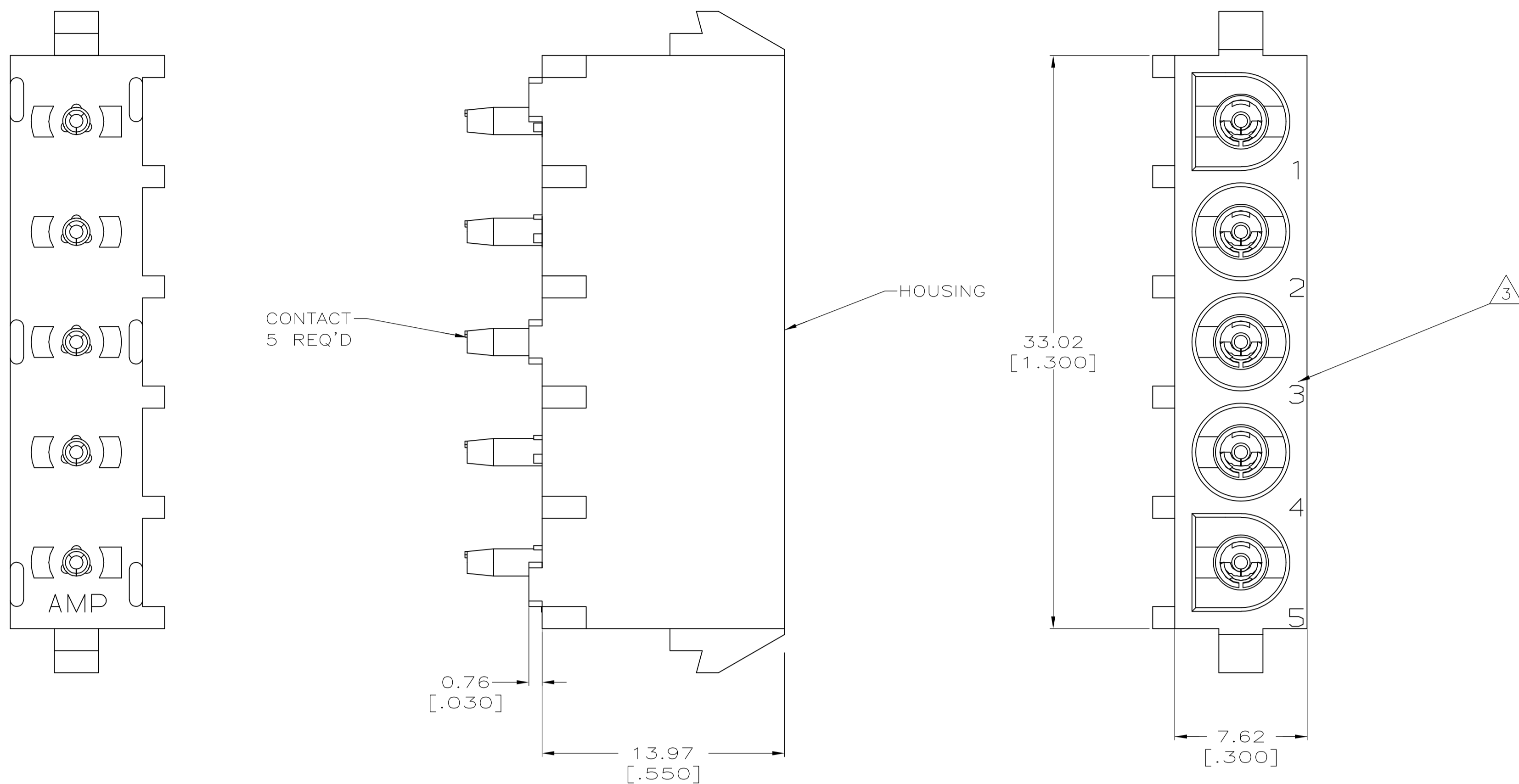
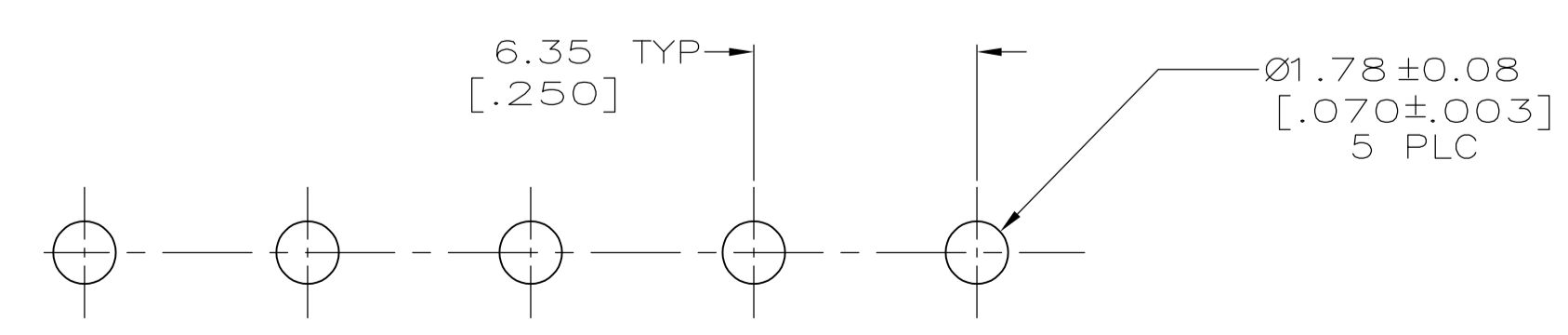
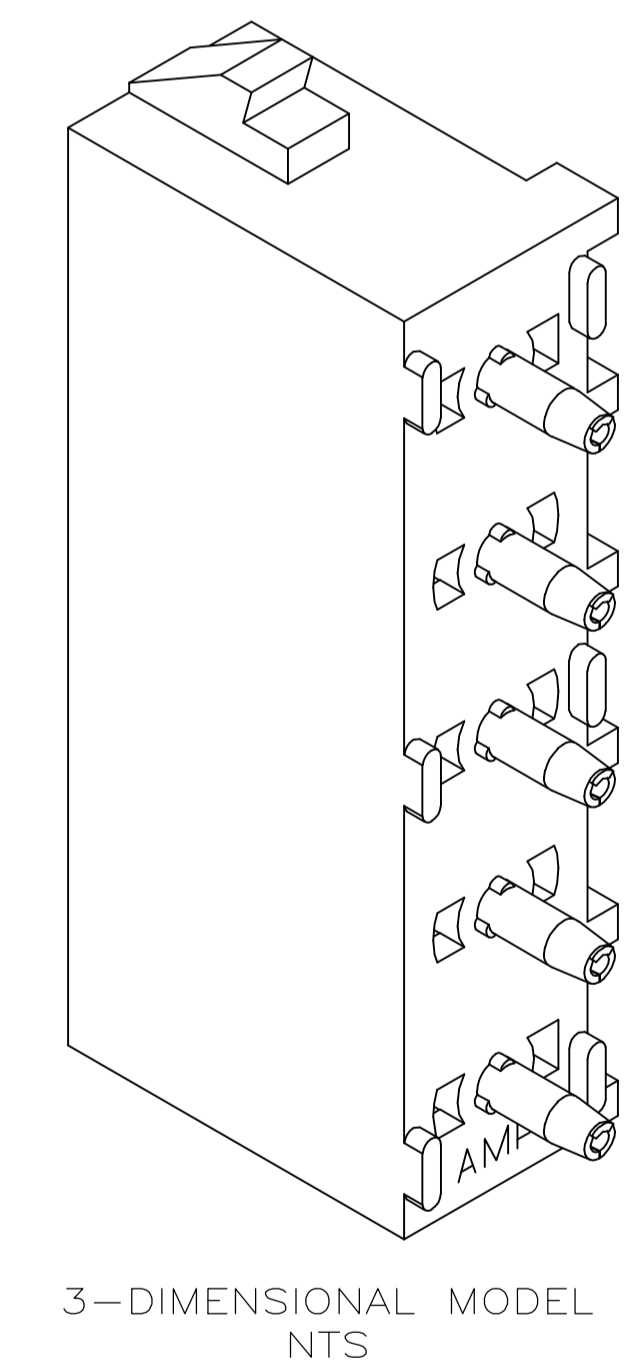
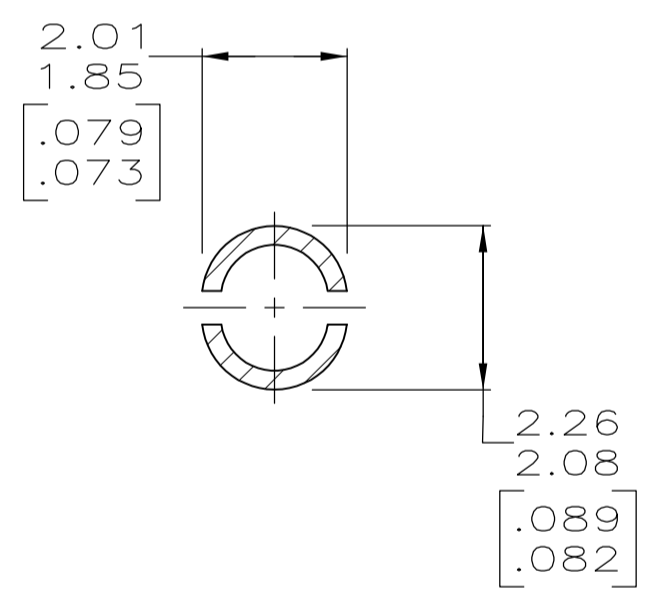
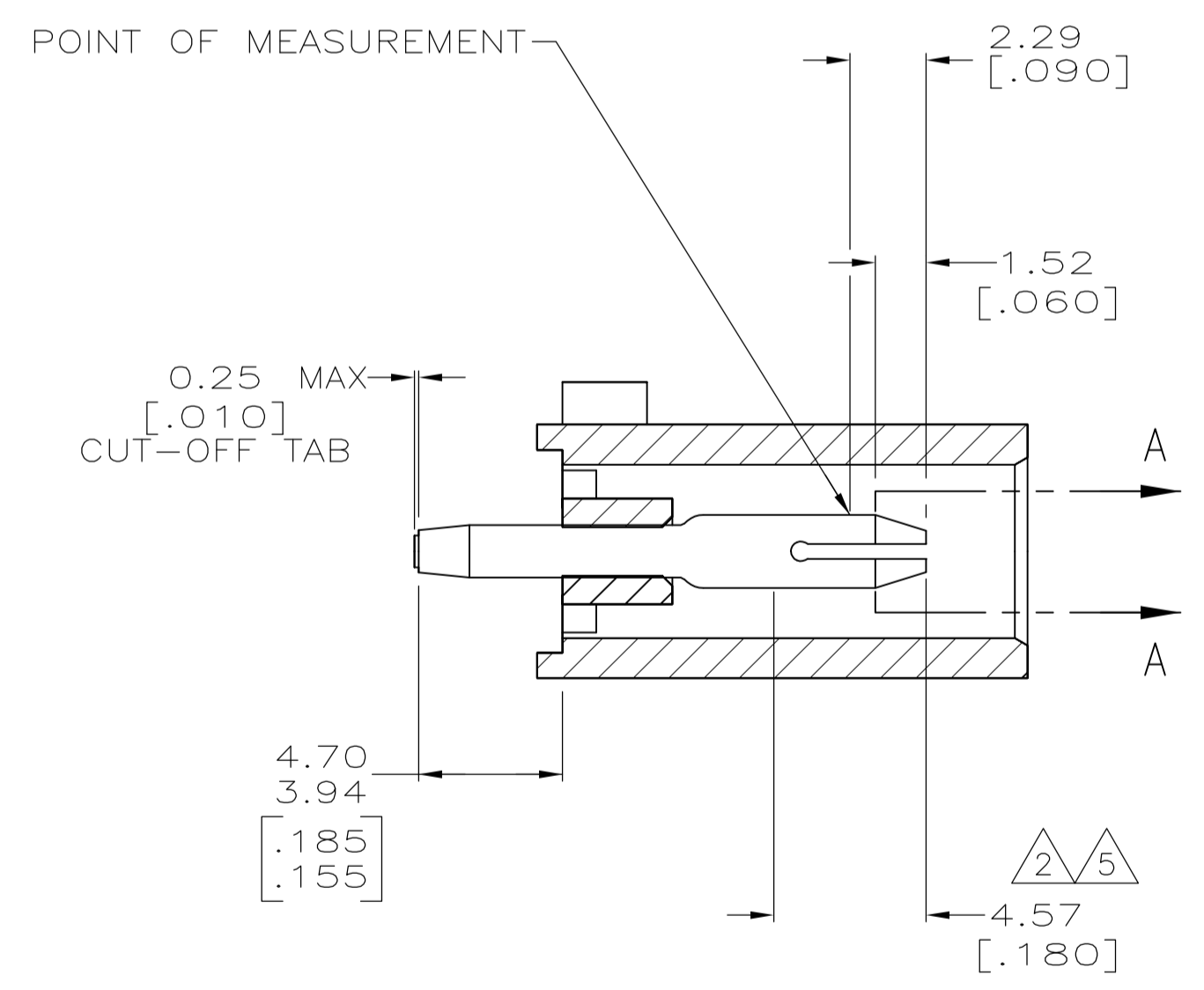


LOC		DIST		REVISIONS			
CM	00	REV	DATE	BY	CHK	APP'D	
M1		REVISED PER ECR-12-011660	31JAN13	KH		TM	



- 1 PARTS COMPLY TO AMP SOLDERABILITY SPECIFICATION 109-11-3.
- 2 CONTACT IS PLATED OVERALL WITH 0.00127 [.000050] NICKEL, THEN 0.00076 [.000030] GOLD OVER CONTACT LENGTH INDICATED AND MATTE TIN LEAD ON SOLDER TAIL END.
- 3 CIRCUIT IDENTIFICATION CHARACTERS ARE ADJACENT TO THE INDICATED CAVITIES, BUT LOCATION AND ORIENTATION MAY DIFFER FROM PRINT.
- 4 DIMENSIONS IN BRACKETS ARE IN INCHES.
- 5 CONTACT IS PLATED OVERALL WITH 0.00127 [.000050] NICKEL, THEN 0.00076 [.000030] GOLD OVER CONTACT LENGTH INDICATED AND MATTE TIN ON SOLDER TAIL END.
- 6 SUPERSEDED BY 640466-3



MATERIAL	FINISH	HOUSING MATERIAL	PART NUMBER
PHOSPHOR BRONZE, GOLD	5	NYLON,UL94V-2,NATURAL	640466-3
PHOSPHOR BRONZE, GOLD	2	NYLON,UL94V-2,NATURAL	640466-2
PHOSPHOR BRONZE, PRE-TIN		NYLON,UL94V-2,NATURAL	640466-1

THIS DRAWING IS A CONTROLLED DOCUMENT.		DIN 9137	10-05-98	 TE Connectivity
DIMENSIONS: mm [INCHES]		CHIK R SWING	10-05-98	
TOLERANCES UNLESS OTHERWISE SPECIFIED:		APVD MTRULL	10-05-98	NAME: PIN HEADER ASSEMBLY, 5 CIRCUIT UNIVERSAL MATE-N-LOK™ APPLICATION SPEC:
0 PLC ± -		SIZE	CAGE CODE	
1 PLC ± -		WEIGHT	RESTRICTED TO	
2 PLC ± 0.13 [.005]		A1 00779 © 640466		
3 PLC ± -		CUSTOMER DRAWING		
4 PLC ± -		SCALE 5:1 SHEET 1 OF 1 REV M1		
ANGLES ± 0°30'				

单击下面可查看定价，库存，交付和生命周期等信息

[>>TE Connectivity\(泰科\)](#)