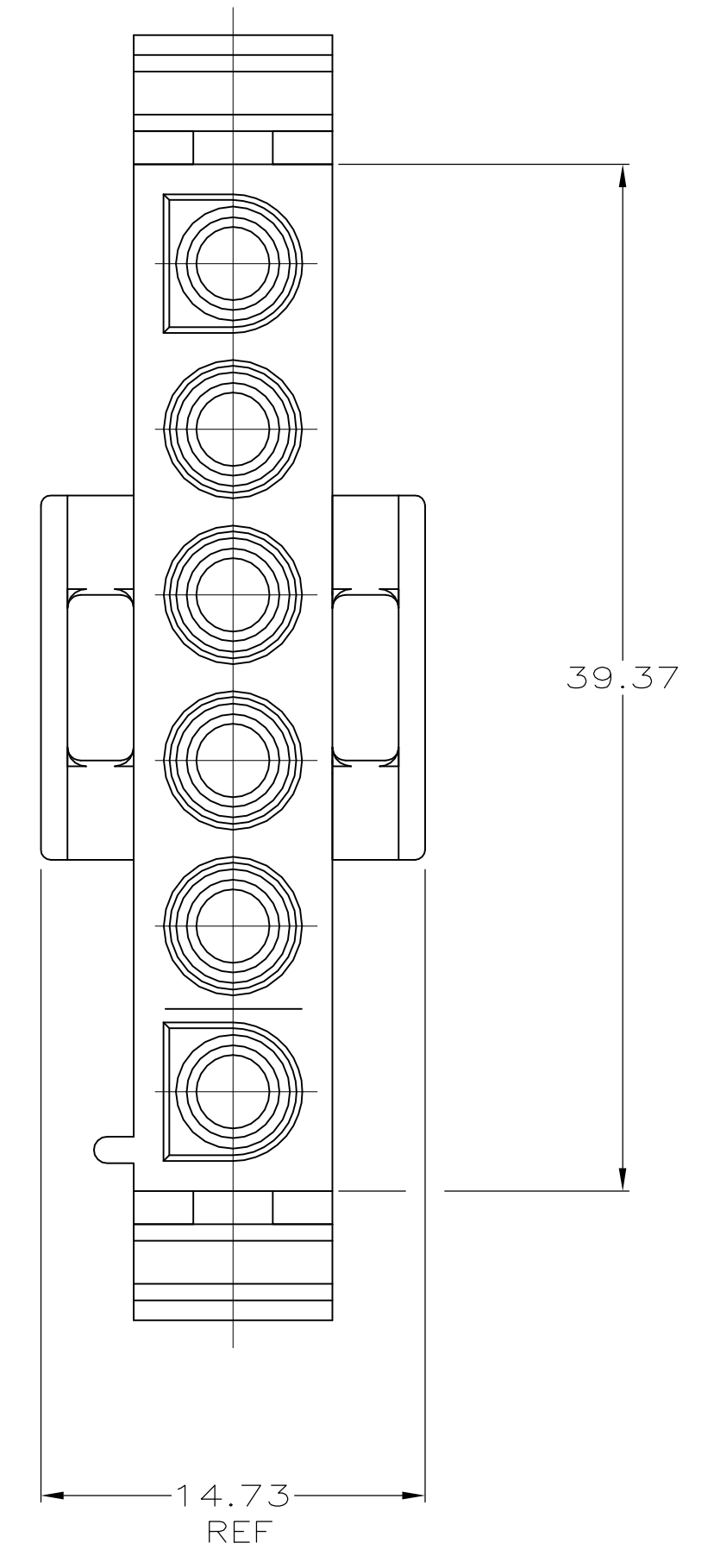
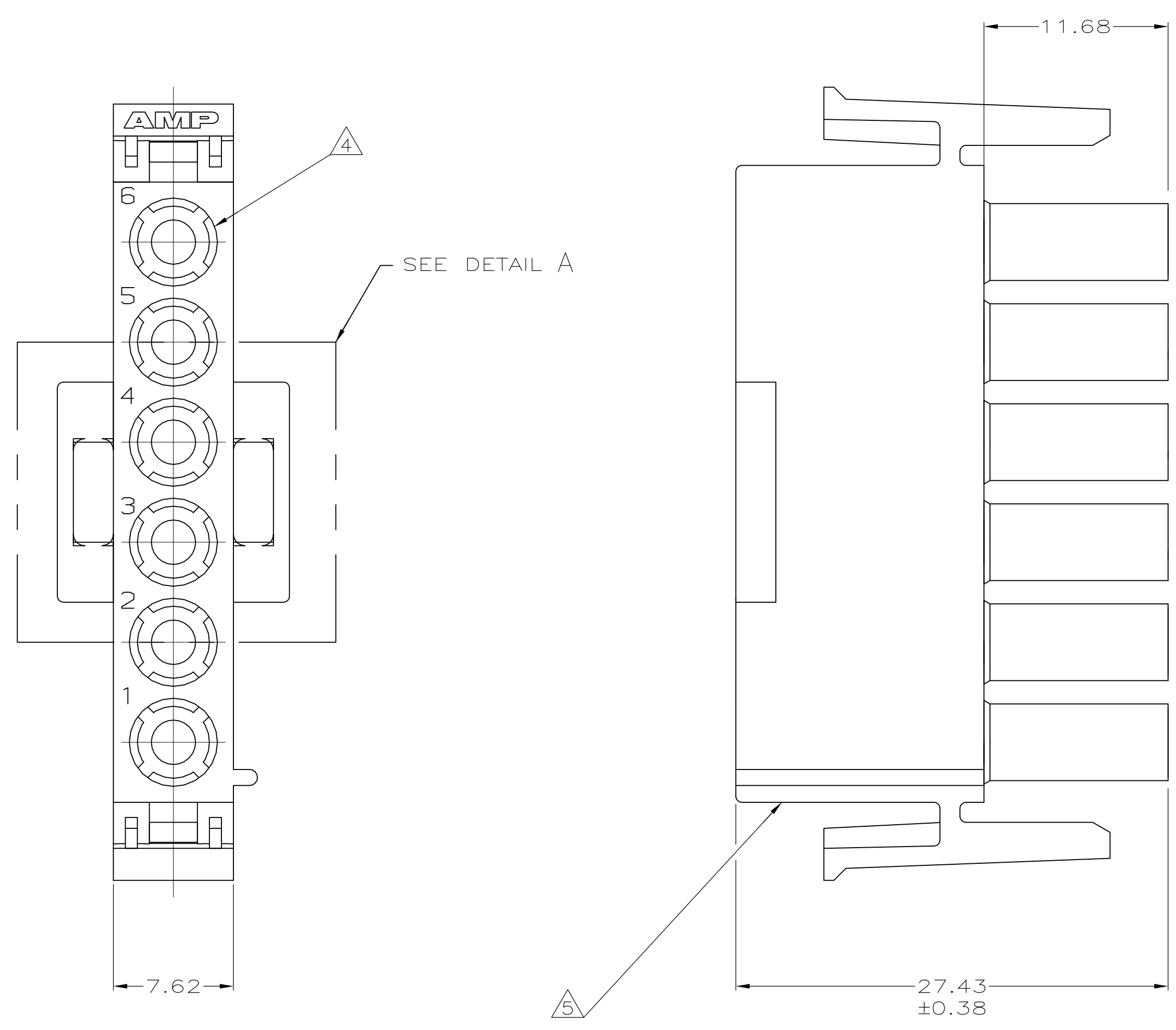
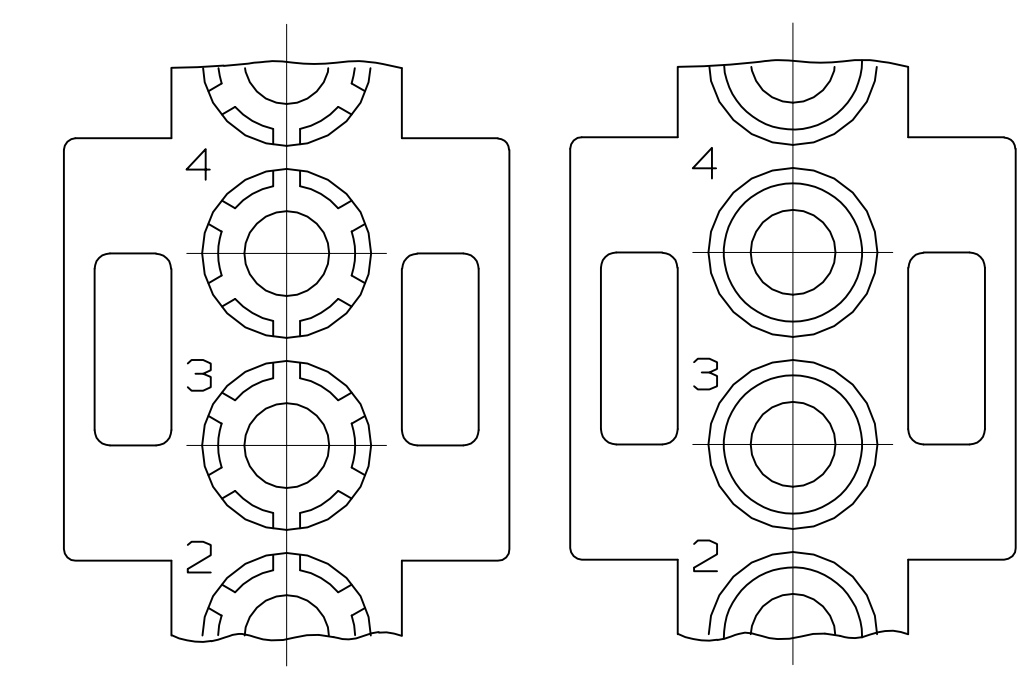
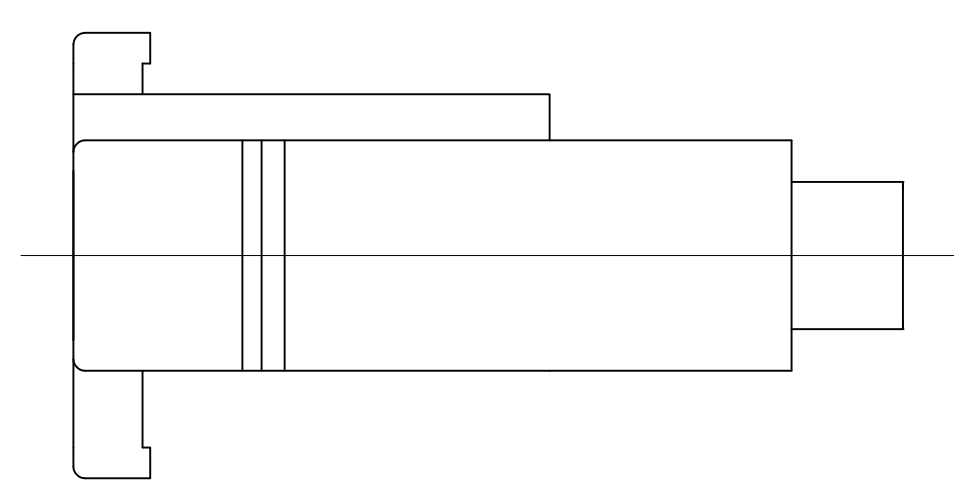


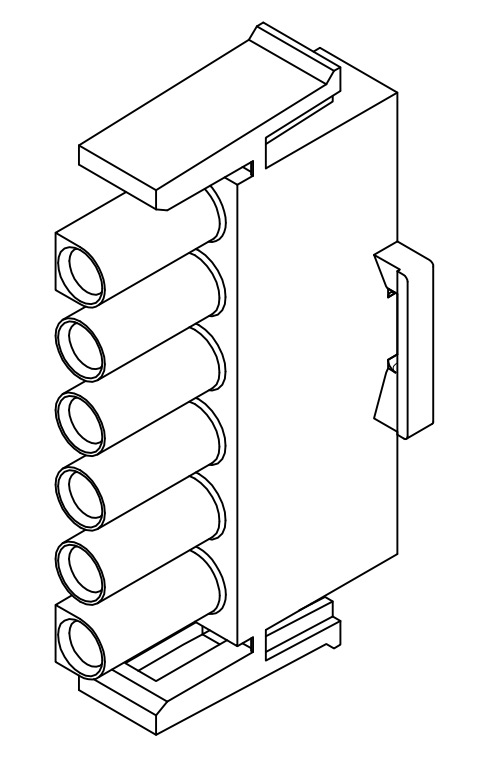
LOC	DIST	REVISIONS			
CM	0	REV	DATE	BY	APPROV
		T6	REVISED PER ECR-17-008392	28JUN2017	BW KR



- MATES WITH APPROPRIATE UNIVERSAL MATE-N-LOK™ CAP OR HEADER.
 - SMALL NICKS ARE PERMITTED ON THE CIRCUIT TOWERS WHICH COULD INCREASE THE INITIAL HOUSING MATING FORCE BY UP TO 4.4 NEWTONS [1.0 LBS]. NO INDIVIDUAL NICKED TOWER SHALL INCREASE THIS FORCE BY OVER 2.2 NEWTONS [.5 LBS].
 - DIMENSIONS SHOWN REPRESENT PRODUCT IN DRY, AS MOLDED, CONDITION. ADDITIONAL 2% GROWTH DUE TO SUBSEQUENT MOISTURE ABSORPTION MAY OCCUR AND SHOULD BE ACCOUNTED FOR.
- ⚠️ 4 FOUR RIBS EQUALLY SPACED, NO SPECIFIC ORIENTATION. NO RIBS OR SIX RIBS EQUALLY SPACED, NO SPECIFIC ORIENTATION, OPTIONAL.
 - ⚠️ 5 UNDERWRITERS RECOGNIZED COMPONENT LOGO AND CSA CERTIFICATION LOGO TO BE LOCATED ONCE EACH ON SIDE OF HOUSING.
 - ⚠️ 6 MATERIAL CORRESPONDING TO THE REQUIREMENT OF IEC60335-1 (INCL. GWT 750°C WITHOUT FLAME)
 - ⚠️ 7 PRELIMINARY PART NOT RELEASED FOR PRODUCTION.



DETAIL A
OPTIONAL CONSTRUCTIONS



3-DIMENSIONAL MODEL

MM	IN
39.37	1.550
27.43	1.080
14.73	.580
11.68	.460
7.62	.300
0.38	.015
0.13	.005
MM	IN

CONVERSION TABLE

MATERIAL	COLOR	PART NUMBER
PA66,UL 94V-0	NATURAL	640581-2
PA66,UL 94V-0	BLUE	1-640581-6
PA66,UL 94V-0	RED	1-640581-2
PA66,UL 94V-0	NATURAL (WHITE)	640581-1

THIS DRAWING IS A CONTROLLED DOCUMENT.

DIMENSIONS: mm [INCHES]	TOLERANCES UNLESS OTHERWISE SPECIFIED:	DIN K. WHITAKER 09AJG2007	CHK D. COLEY 09AJG2007	APPROV D. COLEY 09AJG2007	NAME
0. PLC ± -	1. PLC ± -	STE		TE Connectivity	
2. PLC ± 0.13	3. PLC ± -	PLUG, 6 CIRCUIT, UNIVERSAL MATE-N-LOK(TM)		PRODUCT SPEC	
4. PLC ± -	ANGLES ± 0°30'	APPLICATION SPEC		SIZE: A1	
MATERIAL SEE TABLE	FINISH -	WEIGHT		CAGE CODE: 00779	
		DRAWING NO: 640581		RESTRICTED TO: -	
		CUSTOMER DRAWING		SCALE: 4:1 SHEET 1 OF 1 REV T6	

单击下面可查看定价，库存，交付和生命周期等信息

[>>TE Connectivity\(泰科\)](#)