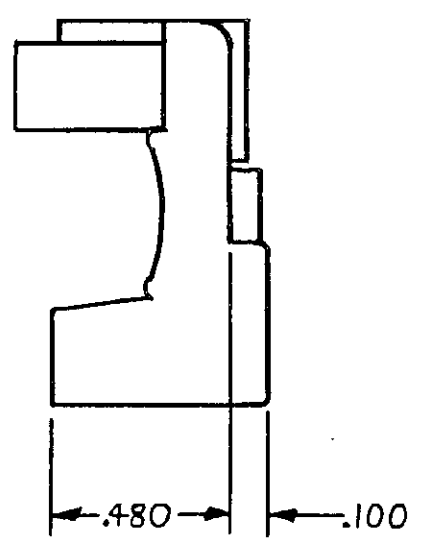
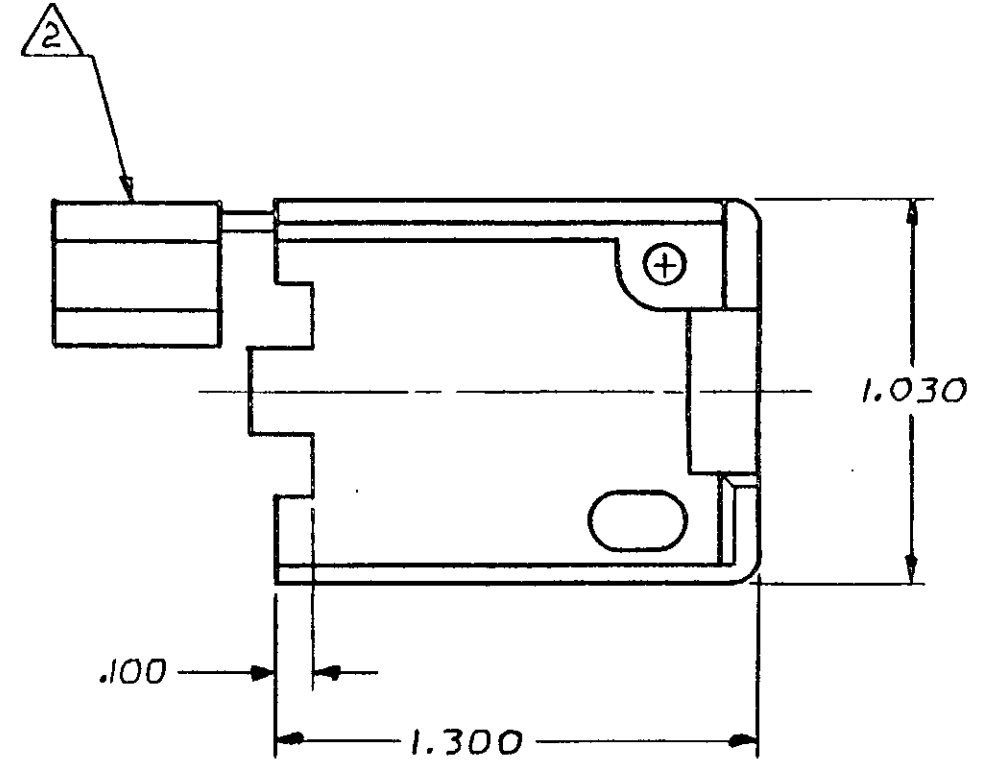
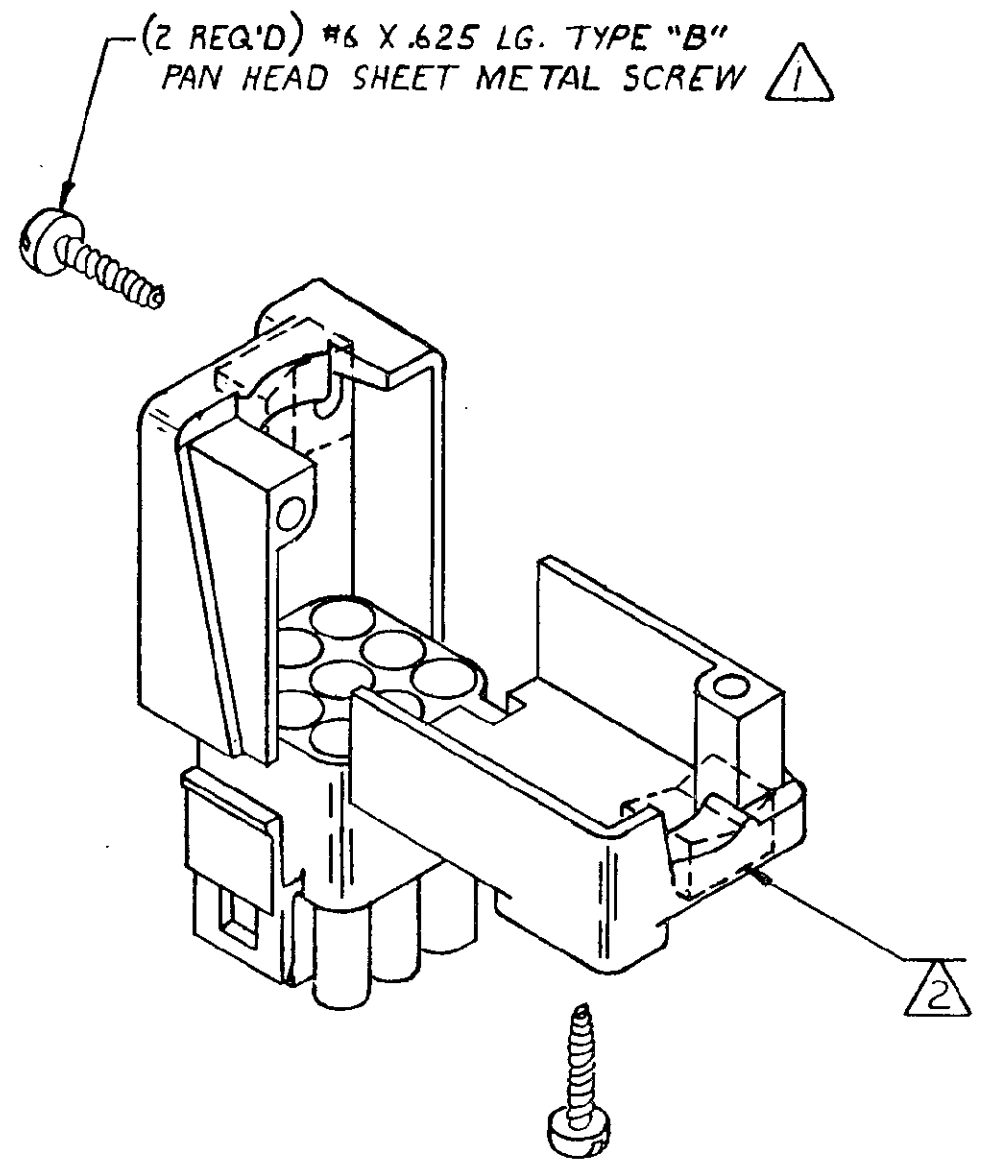
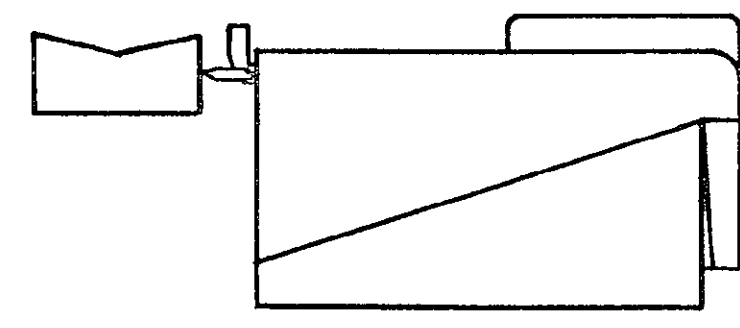


REVISIONS					
P	F	ZONE	DESCRIPTION	DATE	APPROVED
✓	✓	C1	REVISED PER ECO-11-005294	12APR11	HMR

- ⚠ SHEET METAL SCREWS NOT SUPPLIED.
 - ⚠ INSERT IS ATTACHED TO STRAIN RELIEF AS AN ADDITIONAL ADJUSTMENT FOR SMALL WIRE BUNDLES, IT SHOULD BE CUT OFF AND POSITIONED AS SHOWN BY DOTTED LINES.
 - ⚠ TWO REQUIRED PER CONNECTOR.
4. DETACHABLE INSERT MAY SEPARATE FROM STRAIN RELIEF BODY DURING SHIPPING.



NYLON 94V-0	640716-1	3
MATERIAL	PART NC	

	WIRE BUNDLE DIA
WITHOUT INSERT	.650 MAX.
WITH INSERT	.120 MIN.

UNLESS OTHERWISE SPECIFIED DIMENSIONS ARE IN INCHES.		CONTRACT NO
TOLERANCES ON:		DR
DECIMALS	± .015	M. FEHER 3-12-79
ANGLES	±	CHK
MATERIAL	SEE TABLE	D.S. Heide 3/22/79
FINISH	SEE TABLE	APPD
		J.C. Smith 3-22-79
		APPD
		DSGN APPD
		OTHER APPD

STE TE Connectivity		
NAME		
STRAIN RELIEF FOR 9 CIRCUIT UNIVERSAL MATE-N-LOK™ CONNECTOR		
SIZE	CODE IDENT NO	DRAWING NO
C	00779	640716
SCALE	SHEET	
2-1	1 OF 1	

CUSTOMER DRAWING

单击下面可查看定价，库存，交付和生命周期等信息

[>>TE Connectivity\(泰科\)](#)