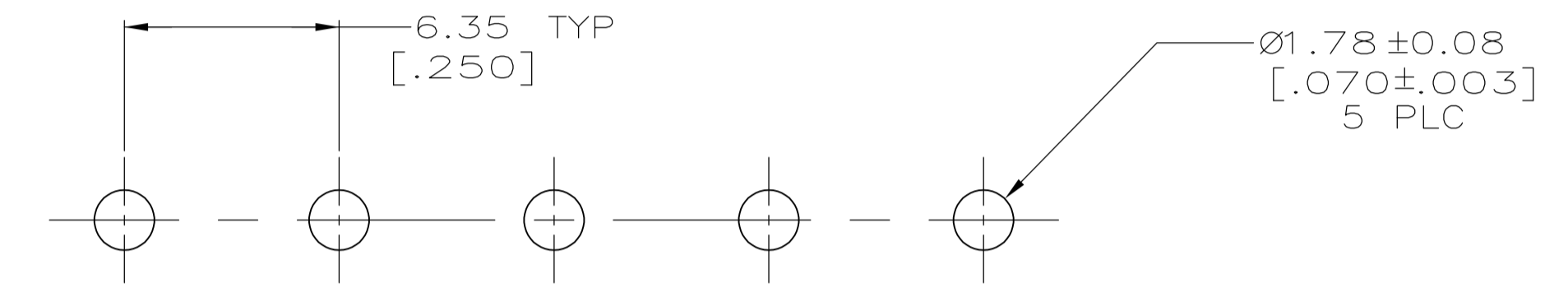
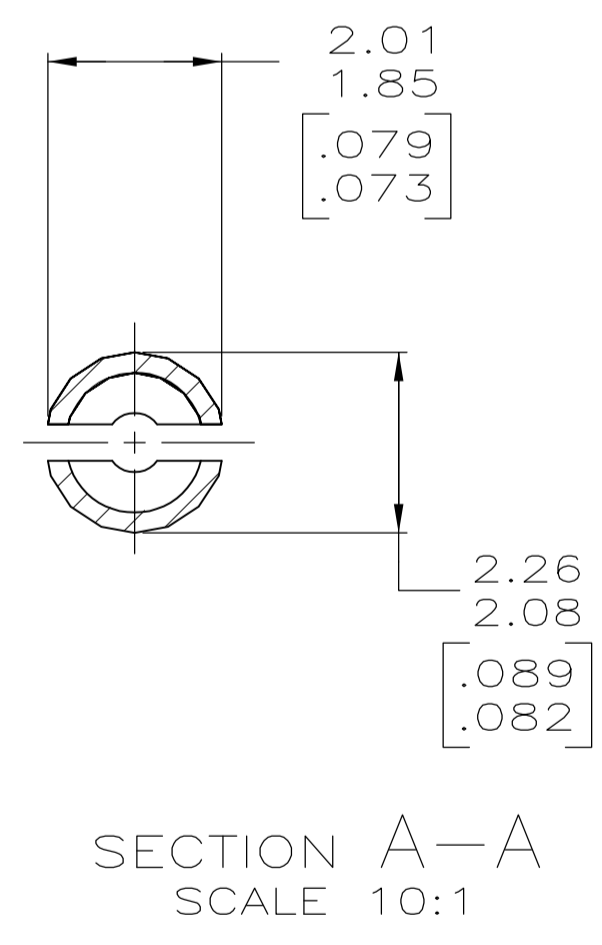
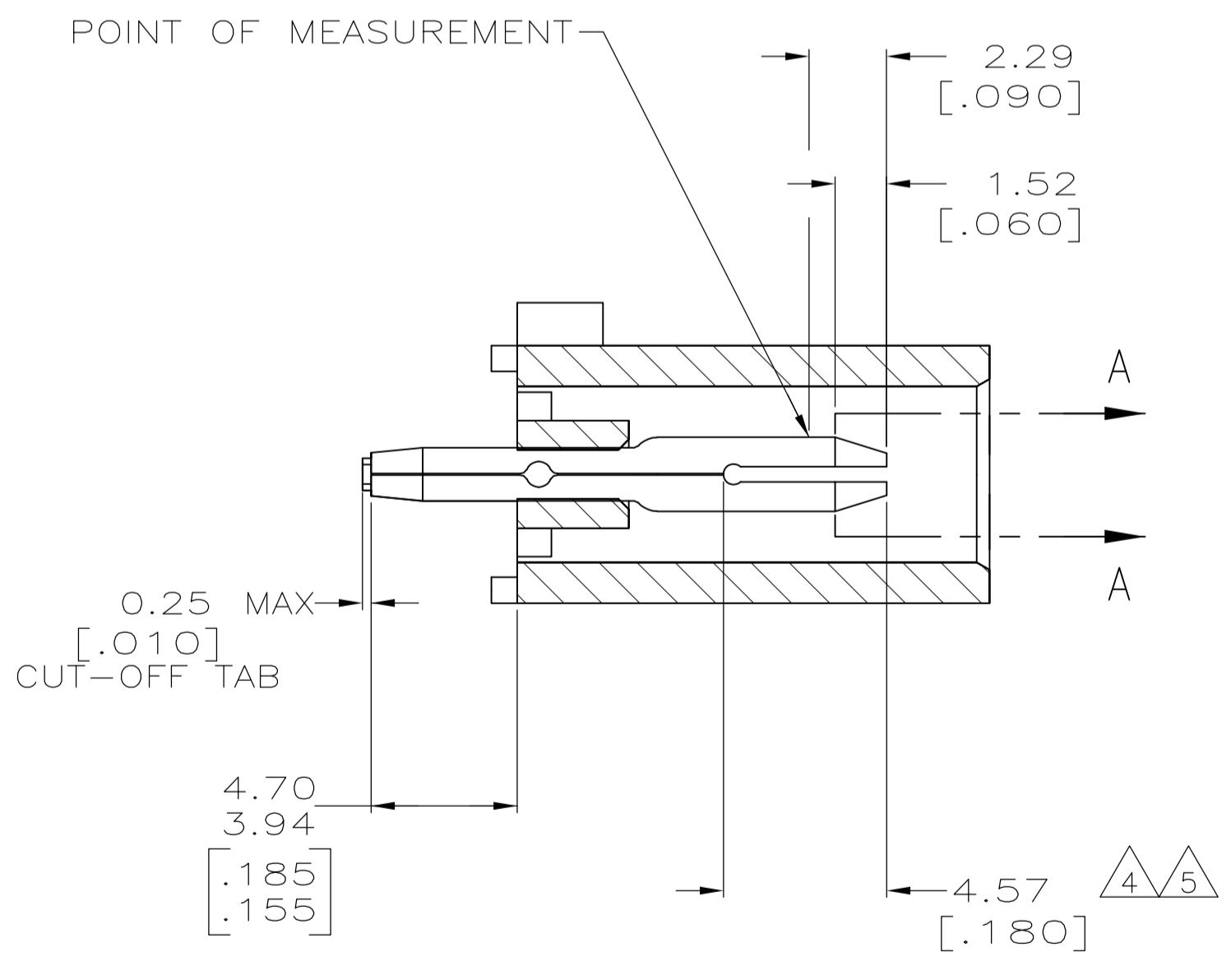


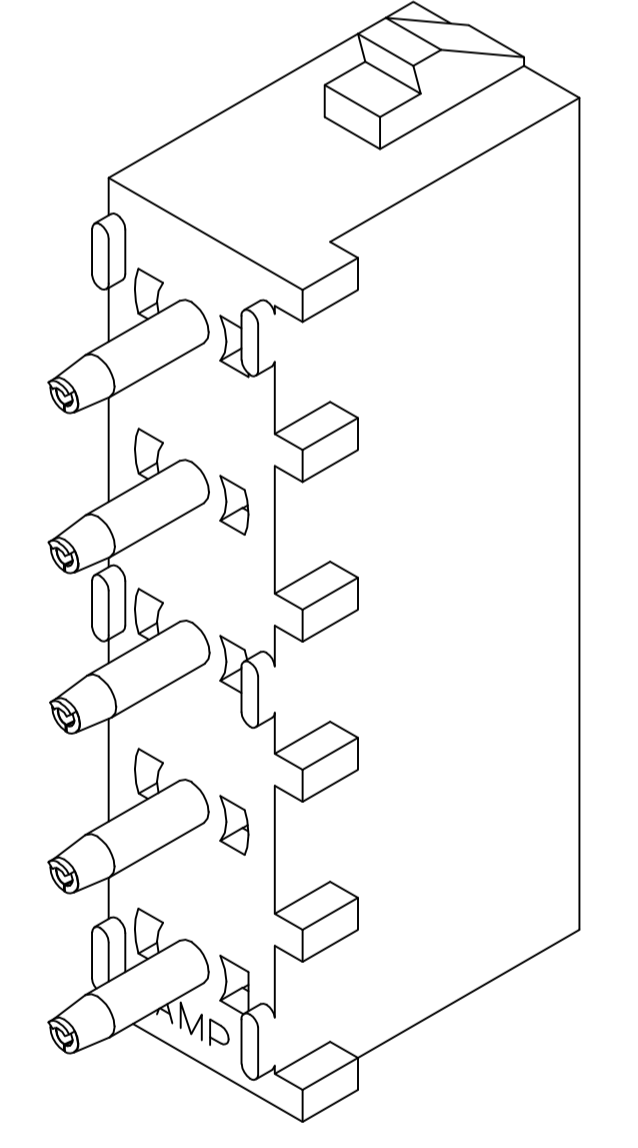
- 1 PARTS COMPLY WITH AMP SOLDERABILITY SPECIFICATION 109-11-3.
- 2 DIMENSIONS IN BRACKETS ARE IN INCHES.
- 3 CIRCUIT IDENTIFICATION CHARACTERS ARE ADJACENT TO THE INDICATED CAVITIES, BUT LOCATION AND ORIENTATION MAY DIFFER FROM PRINT.
- 4 CONTACT IS PLATED OVERALL WITH 0.00127 [.000050] NICKEL, THEN 0.000076 [.000030] GOLD OVER CONTACT LENGTH INDICATED AND MATTE TIN LEAD ON SOLDER TAIL END.
- 5 CONTACT IS PLATED OVERALL WITH 0.00127 [.000050] NICKEL, THEN 0.000076 [.000030] GOLD OVER CONTACT LENGTH INDICATED AND MATTE TIN ON SOLDER TAIL END.
- 6 PRELIMINARY - NOT FOR PRODUCTION
- 7 SUPERSEDED BY 640900-3



RECOMMENDED MOUNTING HOLE PATTERN FOR 1.57 [.062] THICK P.C. BOARD



SECTION A-A SCALE 10:1



3-DIMENSIONAL MODEL NTS

PHOSPHOR BRONZE, PRE-TIN	NYLON, UL94V-0, BLUE	61-640900-4
PHOSPHOR BRONZE, PRE-TIN	NYLON, UL94V-0, RED	61-640900-2
PHOSPHOR BRONZE, GOLD 5	NYLON, UL94V-0, NATURAL	640900-3
PHOSPHOR BRONZE, GOLD 4	NYLON, UL94V-0, NATURAL	640900-2
PHOSPHOR BRONZE, PRE-TIN	NYLON, UL94V-0, NATURAL	640900-1
PIN CONTACT MATERIAL AND FINISH	HOUSING MATERIAL	PART NUMBER

THIS DRAWING IS A CONTROLLED DOCUMENT.		DIN K. WHITAKER 18JAN2005		TE Connectivity	
DIMENSIONS: mm [INCHES]		CHK S. RIDGILL 18JAN2005			
TOLERANCES UNLESS OTHERWISE SPECIFIED:		APVD S. RIDGILL 18JAN2005		NAME	
0 PLC ± -		PRODUCT SPEC		PIN HEADER ASSEMBLY, 5 CIRCUIT, UNIVERSAL MATE-N-LOK™	
1 PLC ± -		APPLICATION SPEC		SIZE	
2 PLC ± 0.20 [.008]		WEIGHT		CAGE CODE DRAWING NO	
3 PLC ± -		A1 00779		640900	
4 PLC ± -		CUSTOMER DRAWING		SCALE 5:1 SHEET 1 OF 1 REV N3	
ANGLES ± -		RESTRICTED TO			
FINISH SEE TABLE					

单击下面可查看定价，库存，交付和生命周期等信息

[>>TE Connectivity\(泰科\)](#)