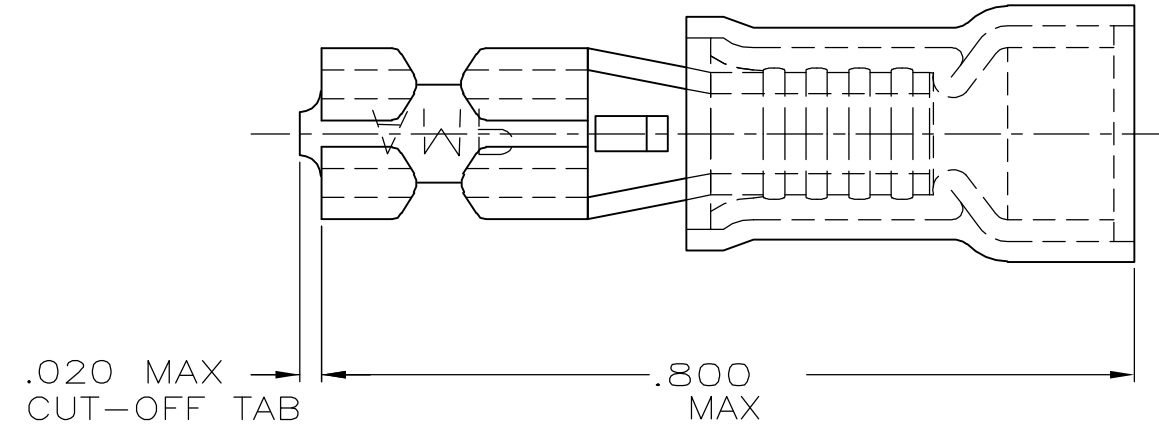
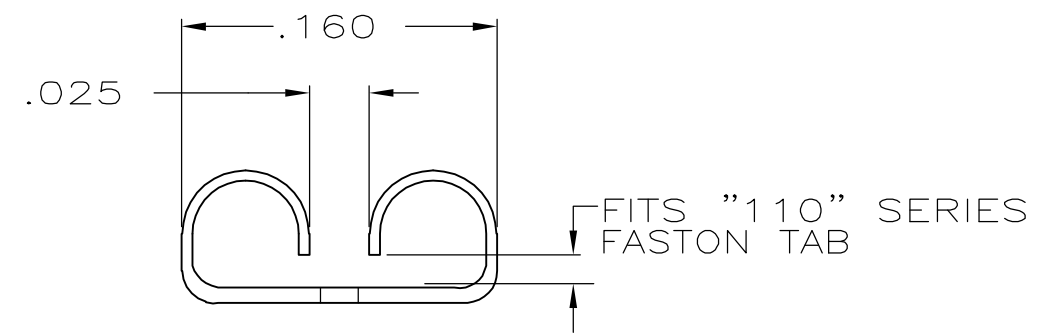
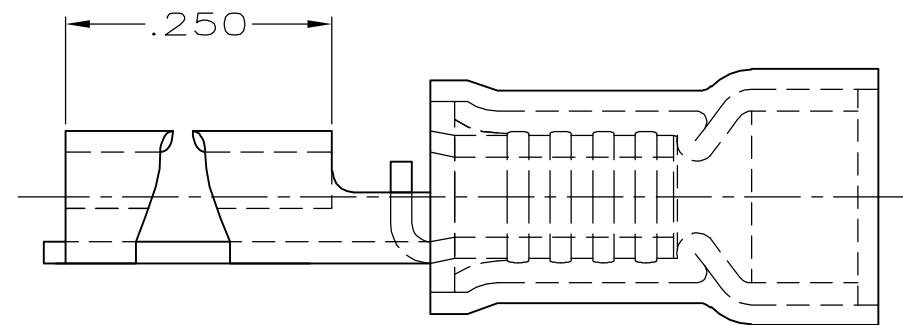


| LOC | DIST | REVISIONS | | | |
|-----|------|-------------|-----------------------|---------|-------|
| P | LTR | DESCRIPTION | DATE | DWN | APVD |
| G | 14 | H1 | REV PER ECR 06-001832 | 24APR06 | JR TM |



- 1. INSULATION DIA .135 MAX
- 2. FITS TAB .020 THK



| QTY | PACKAGE TYPE | PART NO |
|-----|--------------|------------|
| 100 | LOOSE PC,BOX | 8-640923-1 |
| - | TAPE MOUNTED | 640923-2 |
| - | LOOSE PIECE | 640923-1 |

| | | | | | |
|--|--|---|---|--|--|
| AMP INCORPORATED CUSTOMER SERVICE SYSTEM | | MAX RECOMMENDED OPERATING TEMPERATURE: - | THIS DRAWING IS A CONTROLLED DOCUMENT FOR AMP INCORPORATED. IT IS SUBJECT TO CHANGE AND THE CONTROLLING ENGINEERING ORGANIZATION SHOULD BE CONTACTED FOR THE LATEST REVISION. | DWN L OLMEDA 13NOV95 CHK M ELLIS 15NOV95 APVD B BARE 15NOV95 | AMP AMP Incorporated Harrisburg, PA 17105-3608 |
| FOR ADDITIONAL PRODUCT INFORMATION OR COPIES OF DRAWINGS AND TECHNICAL DOCUMENTS PRODUCT INFORMATION CENTER 1-800-522-6752 | FOR APPLICATION TOOLING INFORMATION TOOLING ASSISTANCE CENTER 1-800-722-1111 | VOLTAGE RATING: - | DIMENSIONS: INCHES | TOLERANCES UNLESS OTHERWISE SPECIFIED: 0 PLC ±- 1 PLC ±- 2 PLC ±.015 3 PLC ±- 4 PLC ±- ANGLES ±- | |
| FOR ORDER ENTRY 1-800-526-5142 | CIRCULAR MIL AREA: - | MATERIAL BODY, BRASS .016 SLV, NYLON, COLOR, RED | FINISH BODY, PRE-TIN | WEIGHT - | SIZE A3 CAGE CODE 00779 DRAWING NO C-640923 |
| AMP 1470-19 REV 09MAY94 Translated 021119.125937 (YYMMDD.HHMMSS) from Computervision, Inc., Medusa Revision 12.2.5T | | | | CUSTOMER DRAWING SCALE NTS SHEET 1 OF 1 REV H1 | |

单击下面可查看定价，库存，交付和生命周期等信息

[>>TE Connectivity\(泰科\)](#)