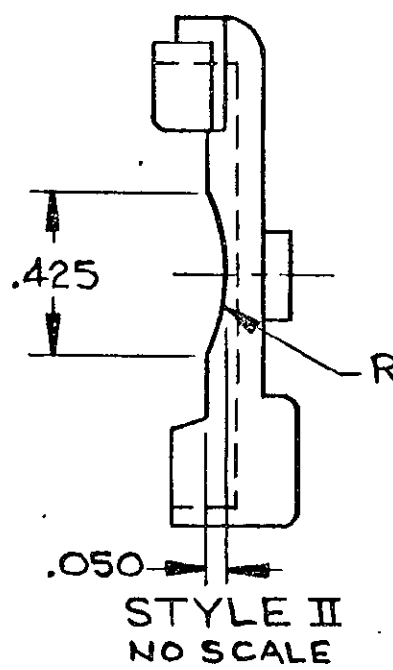
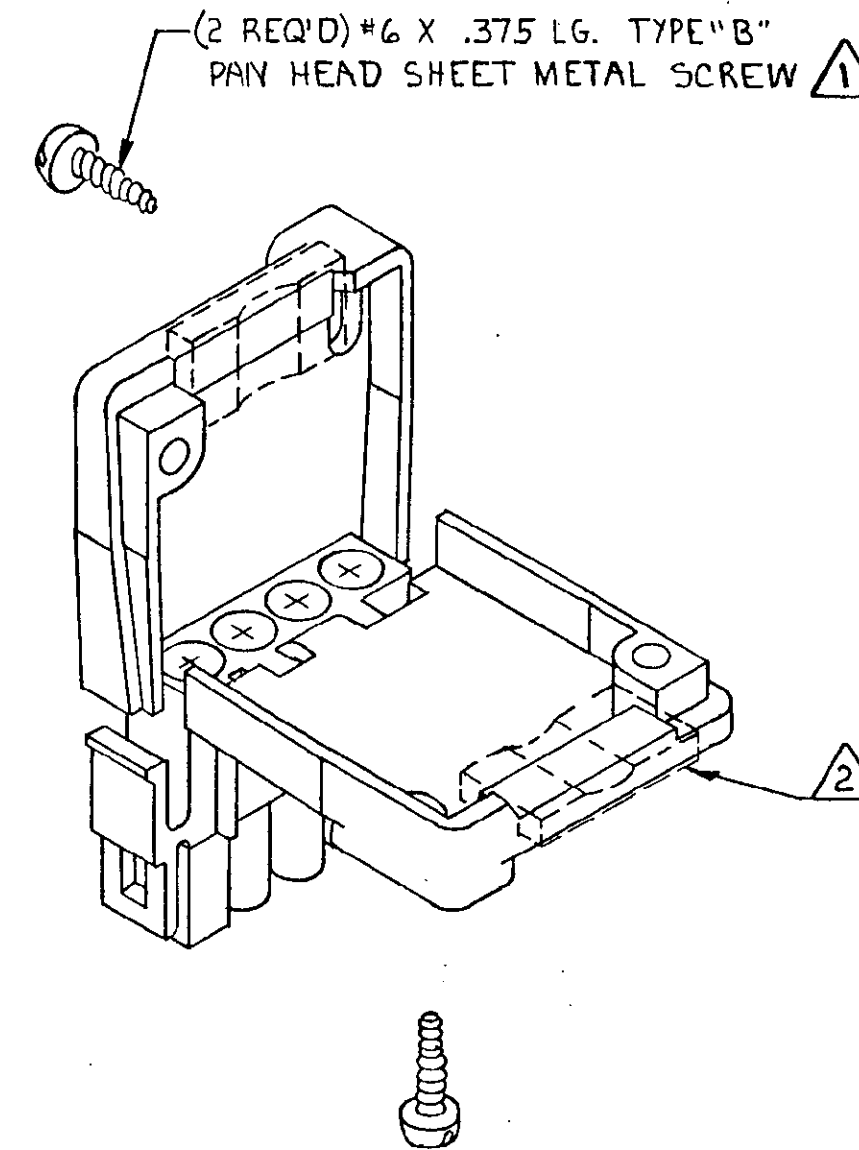
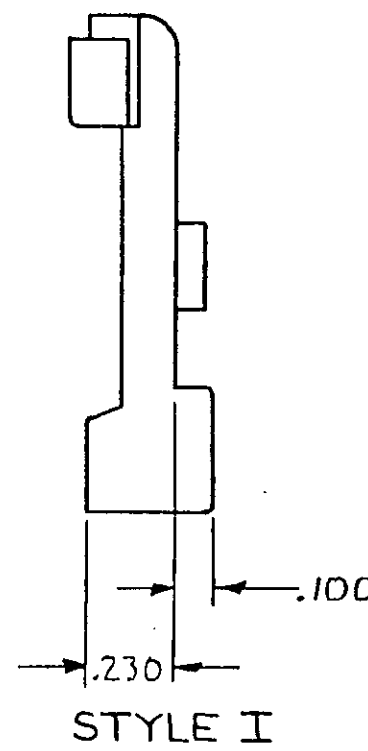
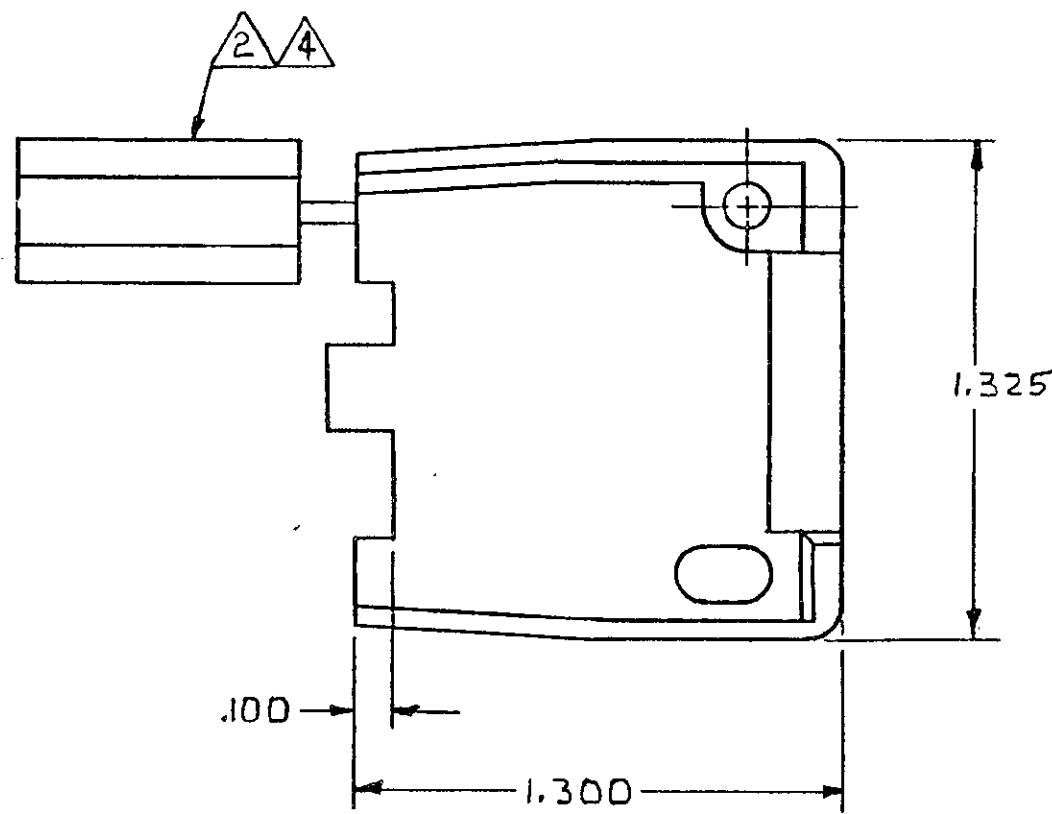
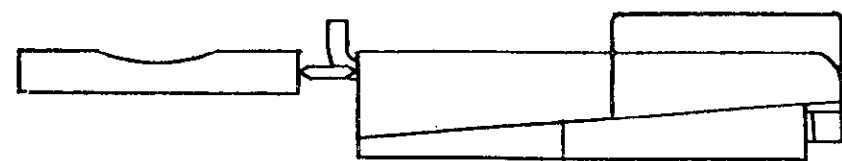


REVISIONS						
P	F	ZONE	LTR	DESCRIPTION	DATE	APPROVED
		E1		REVISED PER ECO-11-005139	28MAR11	RK HMR

- 1 SHEET METAL SCREWS NOT SUPPLIED.
- 2 INSERT IS ATTACHED TO STRAIN RELIEF. AS AN ADDITIONAL ADJUSTMENT FOR SMALL WIRE BUNDLES, IT SHOULD BE CUT OFF AND POSITIONED AS SHOWN BY DOTTED LINES.
- 3 TWO REQUIRED PER CONNECTOR.
- 4 STYLE II DOES NOT INCLUDE INSERT.
- 5. DETACHABLE INSERT MAY SEPARATE FROM STRAIN RELIEF BODY DURING SHIPPING.



WIRE BUNDLE	
WITHOUT INSERT	MAX 4 @ .190 DIA
WITH INSERT	MIN 4 @ .040 DIA

UNLESS OTHERWISE SPECIFIED DIMENSIONS ARE IN INCHES. TOLERANCES ON: DECIMALS ± .015 ANGLES ± —
MATERIAL SEE TABLE
COLOR SEE TABLE

CONTRACT NO	DR M. FEHER 1-22-81
CHK J.S. Heide 1/28/81	APPR J.C. M... 1-28-81
DSGN APPD	OTHER APPD

NYLON94V-0 II	II	641776-2
NYLON94V-0 I	I	641776-1
MATERIAL	STYLE	PART NO
STE TE Connectivity		
NAME STRAIN RELIEF AND INSERT, UNIVERSAL MATE-N-LOK™, 4 CIRCUIT		
SIZE	CODE IDENT NO	DRAWING NO
C	00779	641776
SCALE	SHEET 1 OF 1	
2-1		

单击下面可查看定价，库存，交付和生命周期等信息

[>>TE Connectivity\(泰科\)](#)