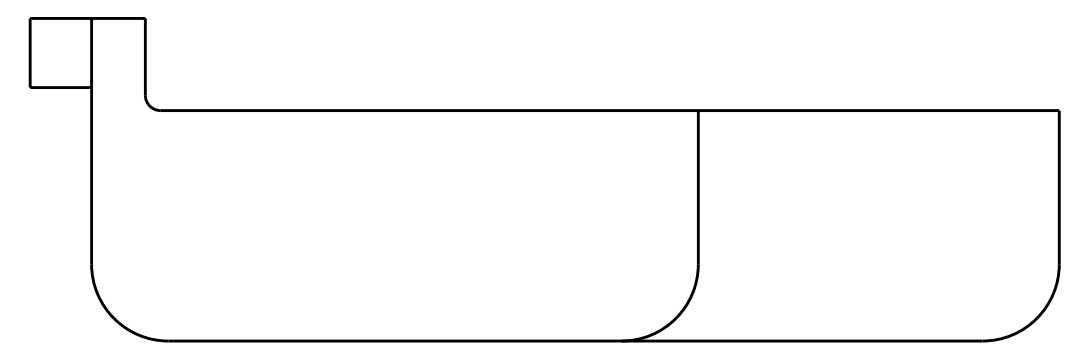
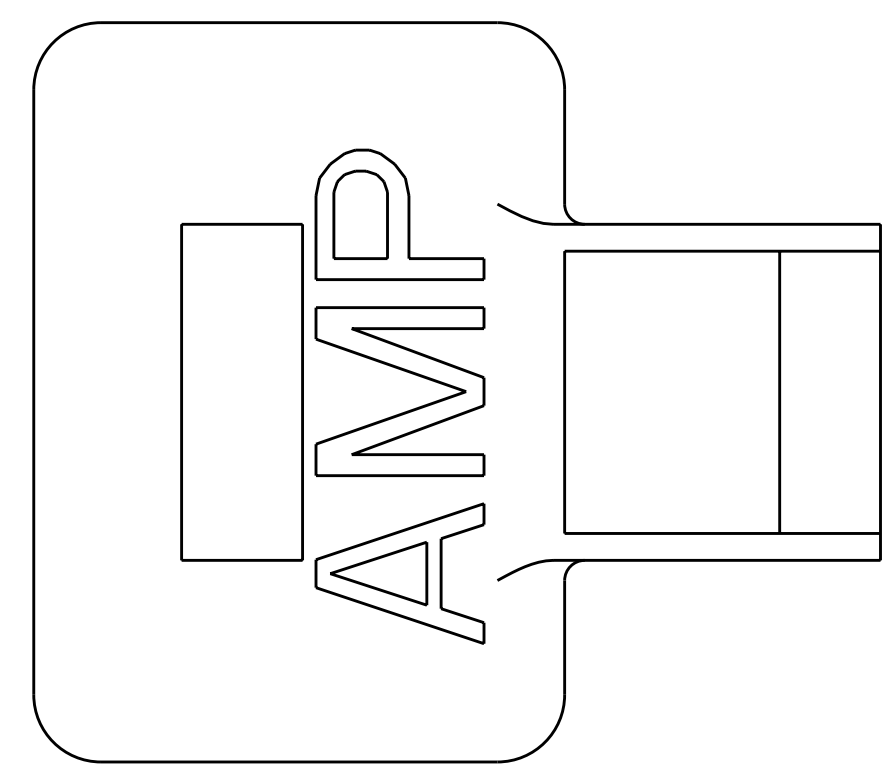
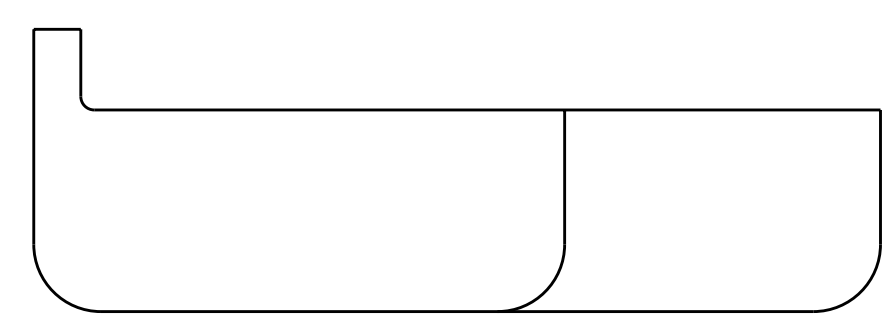
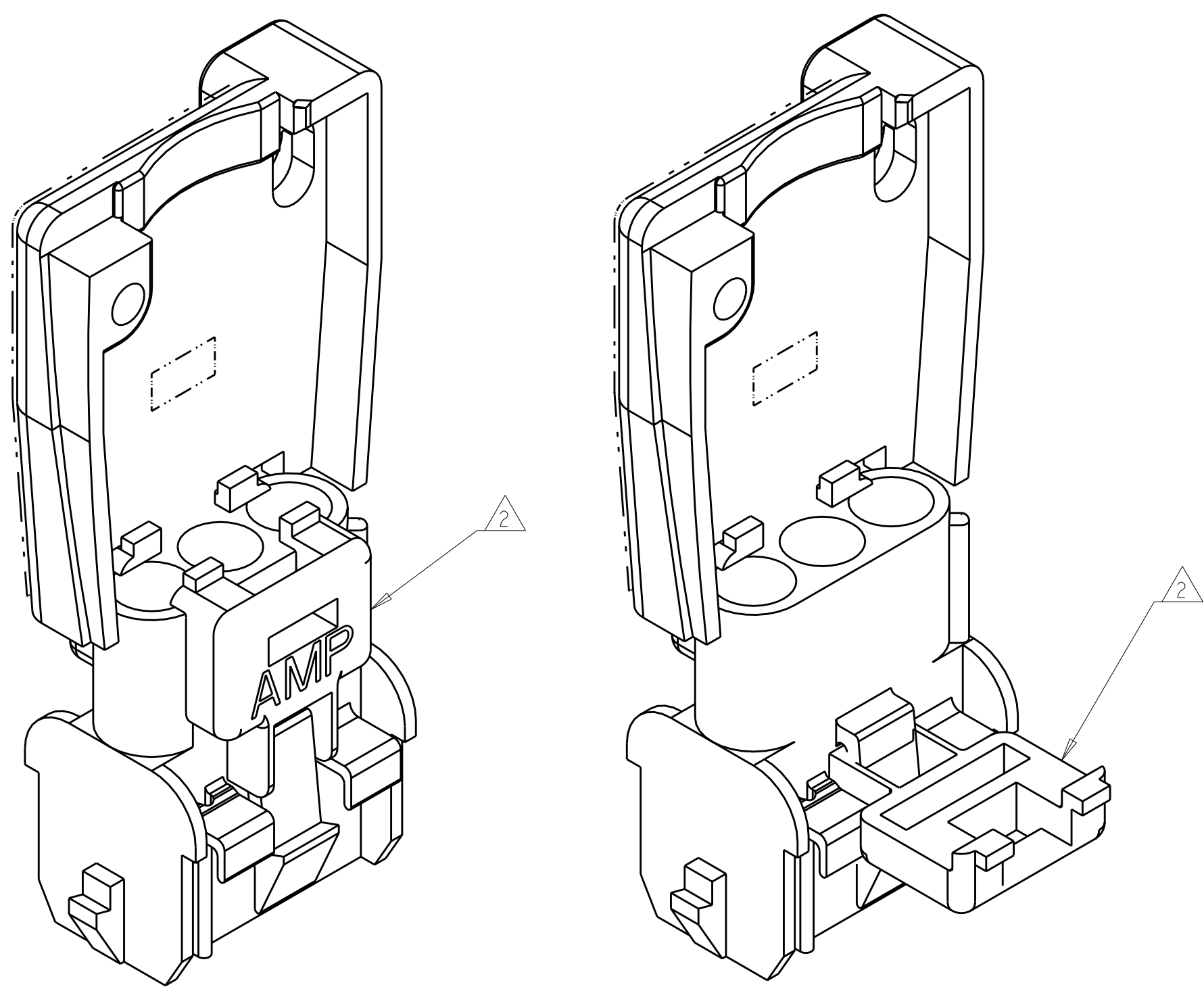
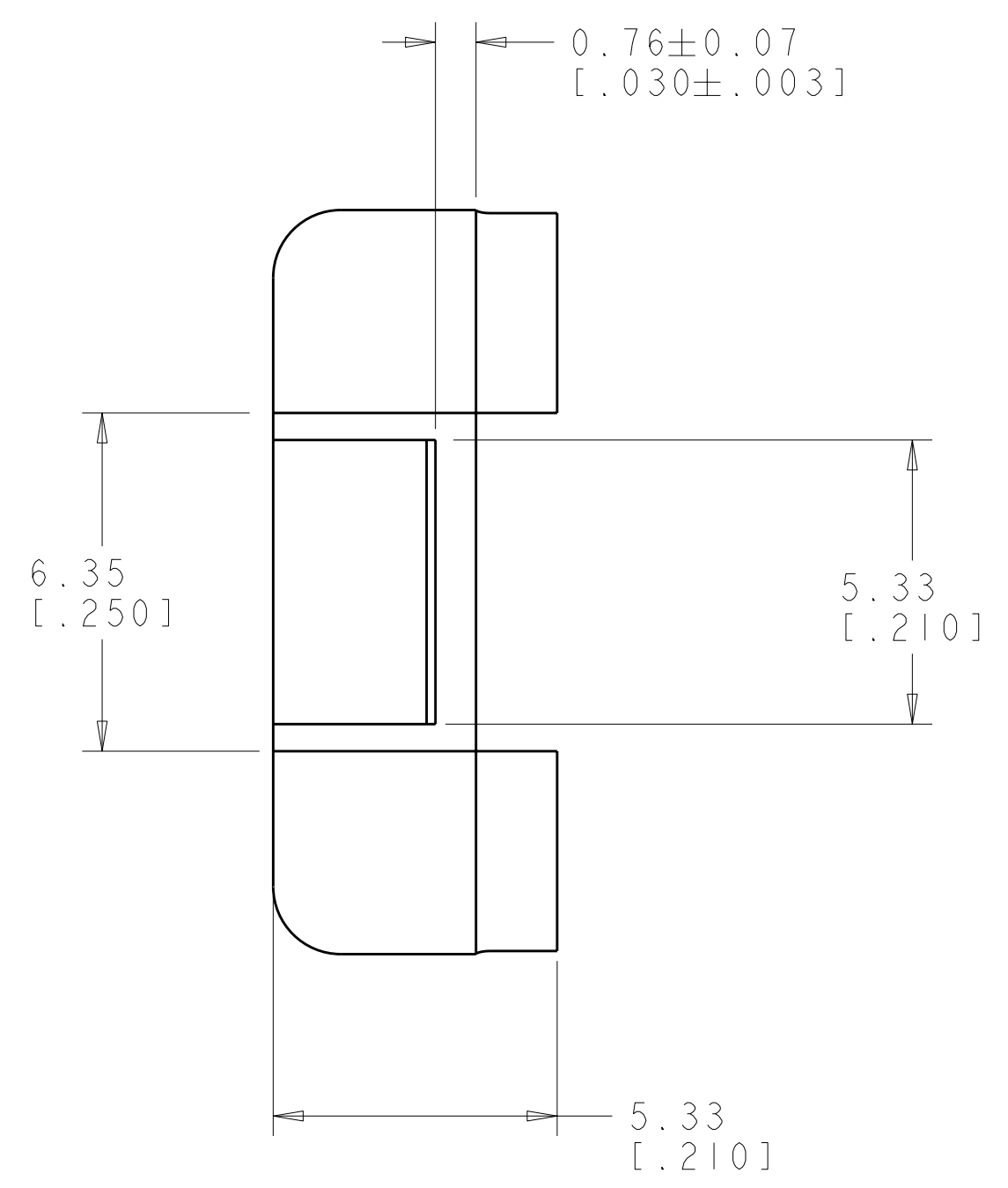
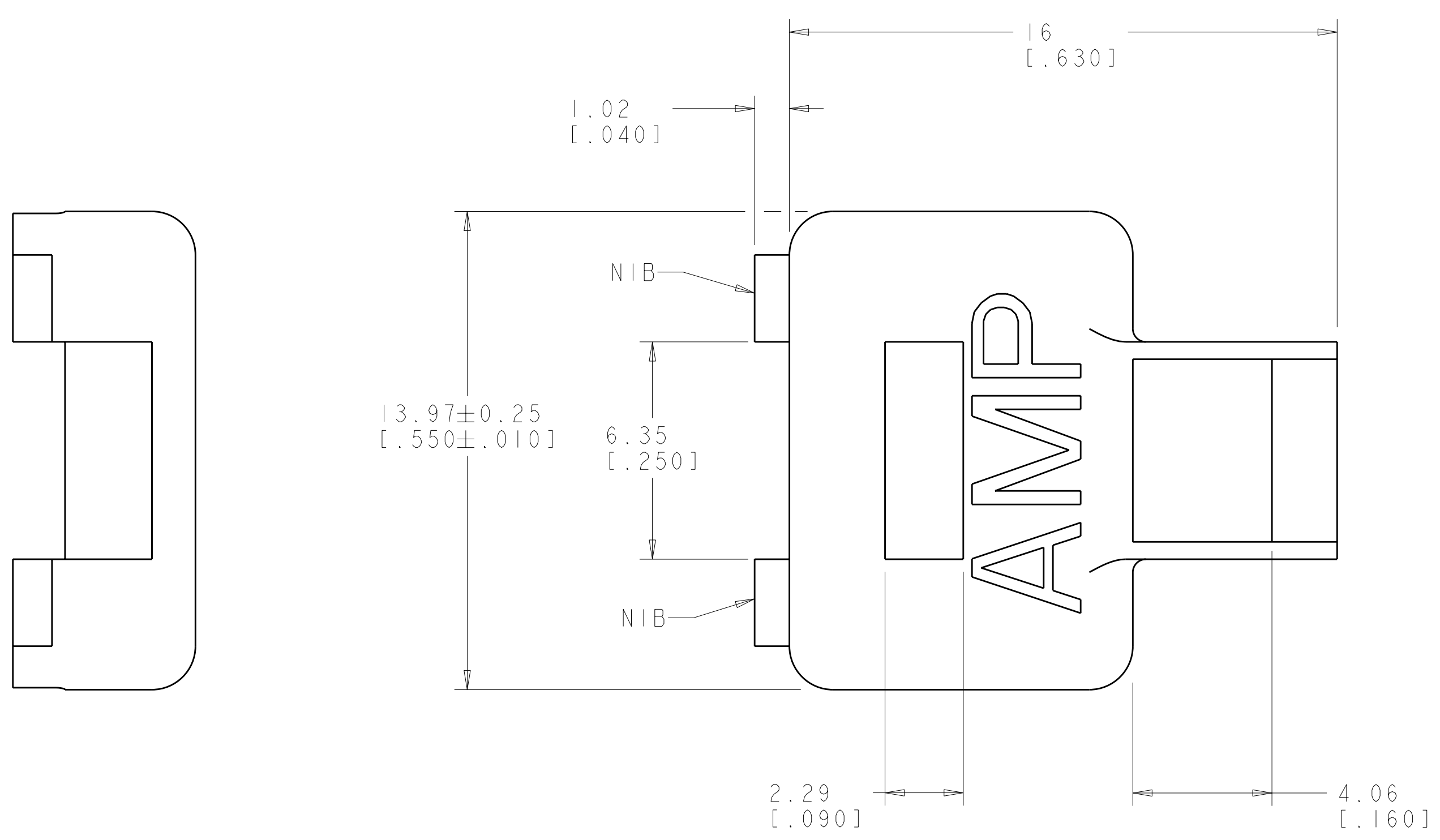


LOC	DIST	REVISIONS			
CM	00	REV	DATE	BY	APPD
		F2	16MAR2007	KW	DC



- FOR USE WITH 3, 4, 9, 12, AND 15 CIRCUIT CAP HOUSINGS AND APPROPRIATE STRAIN RELIEF (ENCLOSED VERSION).
- ADAPTER ATTACHES TO CAP HOUSING AS SHOWN PROVIDING FEATURE TO ATTACH STRAIN RELIEF.
- MATERIAL: NYLON UL94V-2.



ALTERNATE STYLE
641777-2

0.0239	BLACK	FOR STRAIN RELIEF	AS SHOWN (WITH NIBS)	641777-9
0.0239	GRAY	FOR STRAIN RELIEF	AS SHOWN (WITH NIBS)	641777-8
0.0236	NATURAL	FOR STRAIN RELIEF	ALTERNATE (WITHOUT NIBS)	641777-2
0.0239	NATURAL	FOR ASSEMBLY MODULE	AS SHOWN (WITH NIBS)	641777-1
VOLUME IN ³	COLOR	USAGE	STYLE	PART NO.

<small>THIS DRAWING IS UNPUBLISHED. RELEASED FOR PUBLICATION BY TYCO ELECTRONICS CORPORATION. ALL RIGHTS RESERVED.</small>		DWN: R. WHITAKER 16MAR2007 CHK: D. COLEY 16MAR2007 APVD: D. COLEY 16MAR2007	tyco Electronics Tyco Electronics Harrisburg, PA 17105-3608
DIMENSIONS: mm [INCHES]		TOLERANCES UNLESS OTHERWISE SPECIFIED: 9 PLC ± 8 PLC ±0.13 (.005) 5 PLC ± 4 PLC ± ANGLES ±40° 30'	NAME: ADAPTER, STRAIN RELIEF, UNIVERSAL MATE-N-LOK(TM) (FOR CAP HOUSING) PRODUCT SPEC: APPLICATION SPEC: SIZE: CAGE CODE: DRAWING NO: A100779C-641777 RESTRICTED TO:
MATERIAL: 3		FINISH:	WEIGHT: CUSTOMER DRAWING SCALE: 8:1 SHEET 1 OF 1 REV F2



单击下面可查看定价，库存，交付和生命周期等信息

[>>TE Connectivity\(泰科\)](#)