

© COPYRIGHT 1980 BY AMP INCORPORATED, HARRISBURG, PA.
 ALL INTERNATIONAL RIGHTS RESERVED. AMP INCORPORATED PRODUCTS
 COVERED BY U. S. AND FOREIGN PATENTS AND/OR PATENTS PENDING.

REVISIONS						
P	F	ZONE	LTR	DESCRIPTION	DATE	APPROVED
			H	REV PER EC 0730-0201-94	42695	JH RS

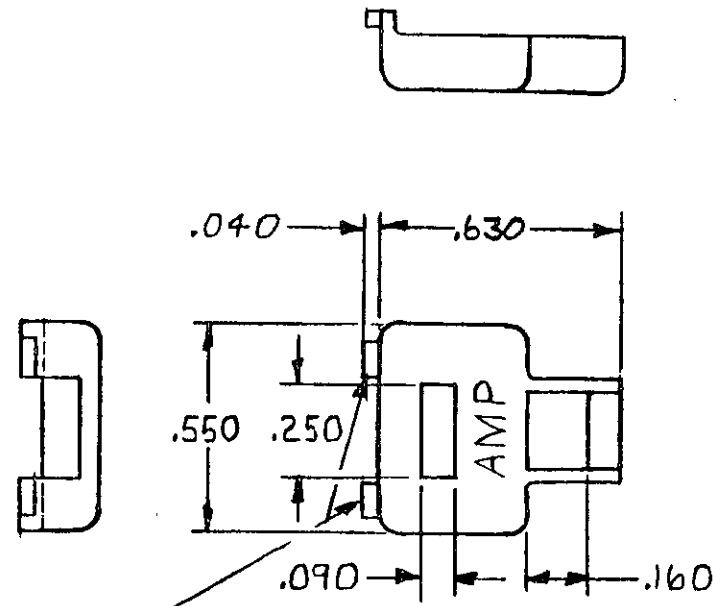


FIGURE 1

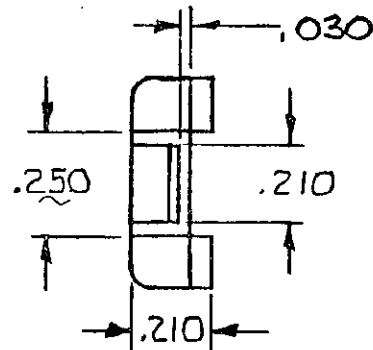
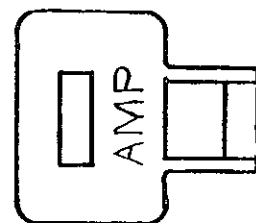
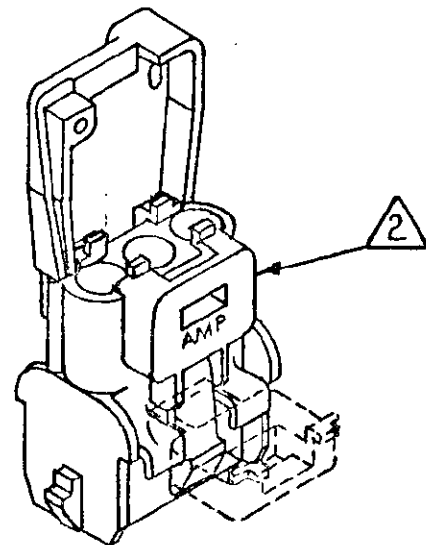


FIGURE 2

1 FOR USE WITH 3,4,9,12 AND 15 CIRCUIT CAP HOUSINGS AND APPROPRIATE STRAIN RELIEF (ENCLOSED VERSION).
 2 ADAPTER ATTACHES TO CAP HOUSING AS SHOWN PROVIDING FEATURE TO ATTACH STRAIN RELIEF.



FOR ASSY. MODULE	FIGURE 2 (WITHOUT NIBS)	641778-2
FOR STRAIN RELIEF	FIGURE 1 (WITH NIBS)	641778-1
USAGE	ADAPTER STYLE	PART NO

UNLESS OTHERWISE SPECIFIED DIMENSIONS ARE IN INCHES. TOLERANCES ON: DECIMALS ±.015 ANGLES ±	CONTRACT NO		AMP AMP INCORPORATED Harrisburg, Pa.	
	DR <i>m. FEHER</i> 12-18-80			
	CHK <i>J. S. Heide</i> 12/29/80		NAME	
	MATERIAL NYLON 94V-0		ADAPTER, CAP HOUSING, UNIVERSAL MATE-N-LOK	
APPD <i>J.C.M.</i> 12-21-80		SIZE	CODE IDENT NO	DRAWING NO
DSGN APPD		B	00779	641778
OTHER APPD		SCALE 2-1	SHEET	

单击下面可查看定价，库存，交付和生命周期等信息

[>>TE Connectivity\(泰科\)](#)