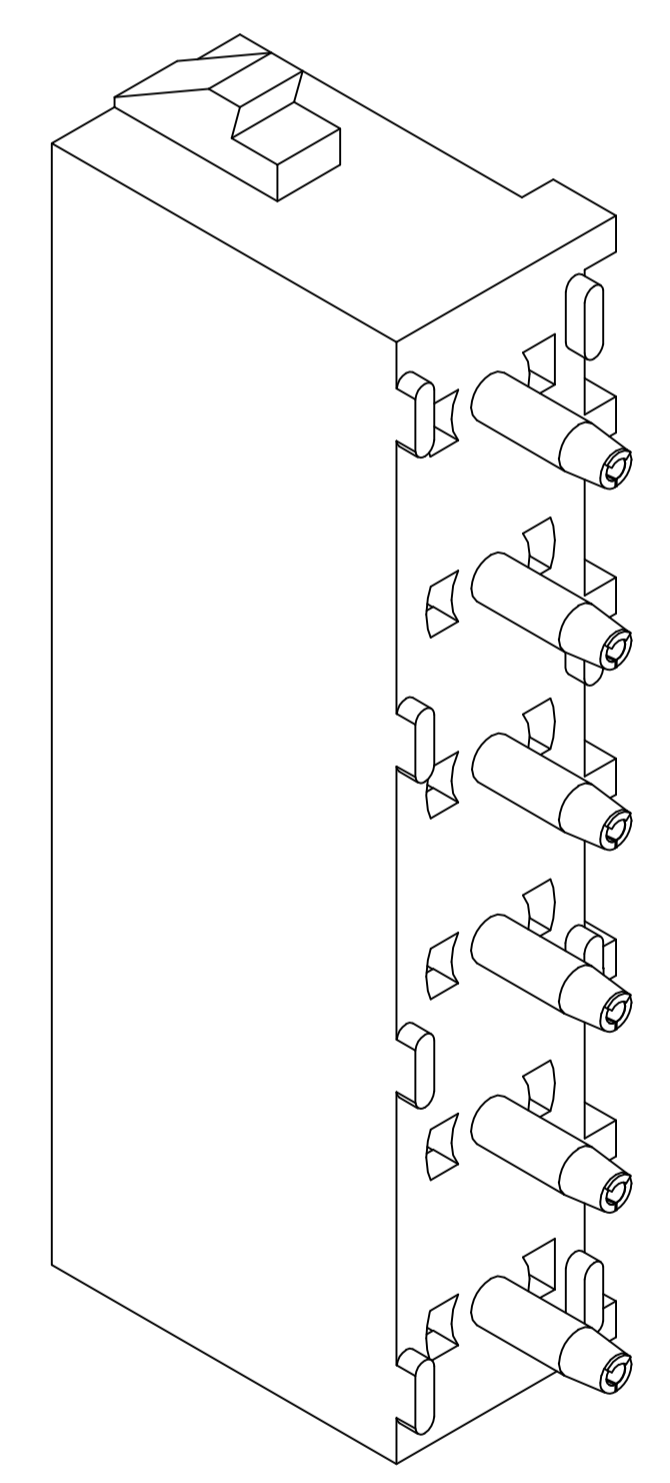
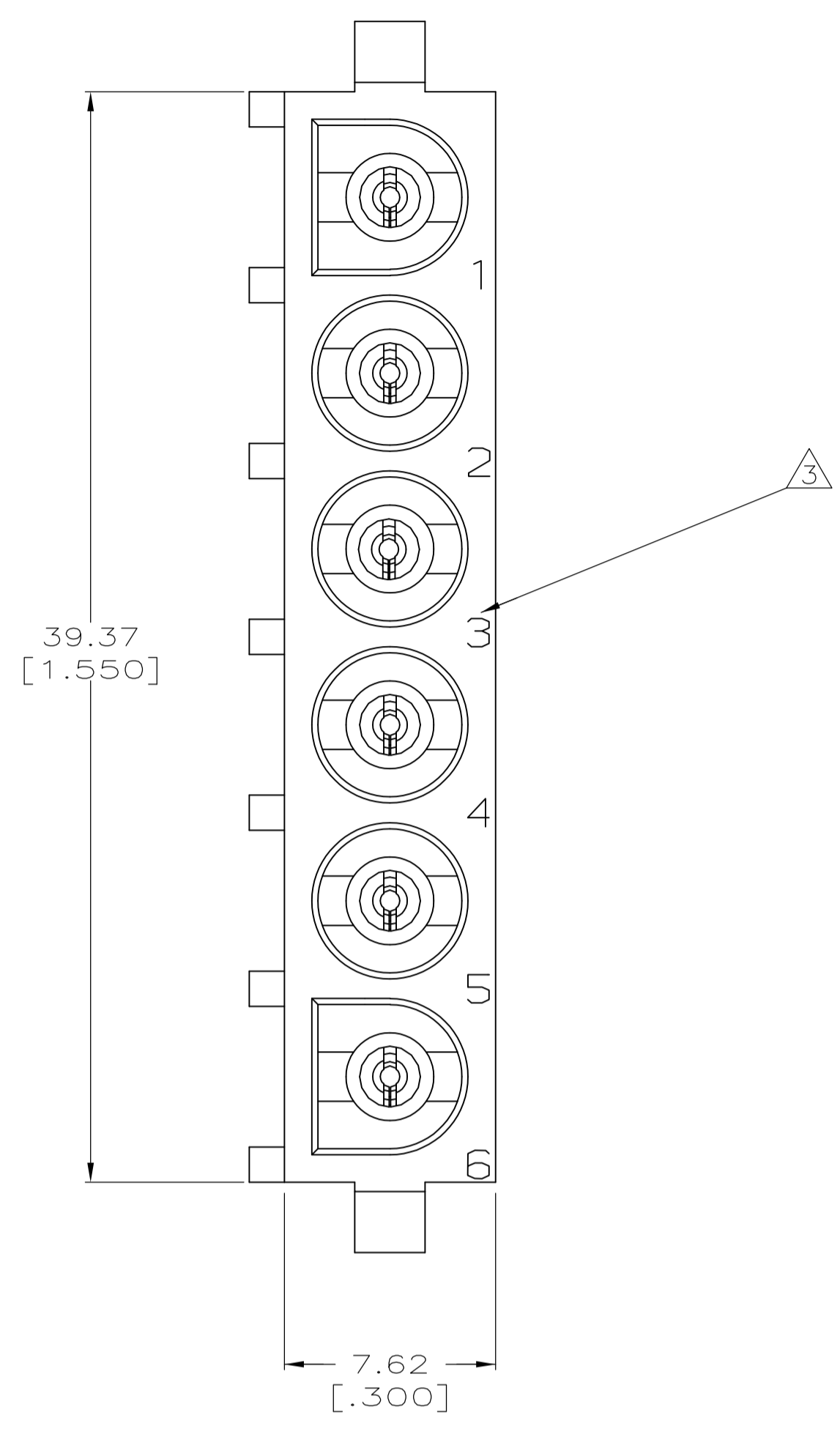
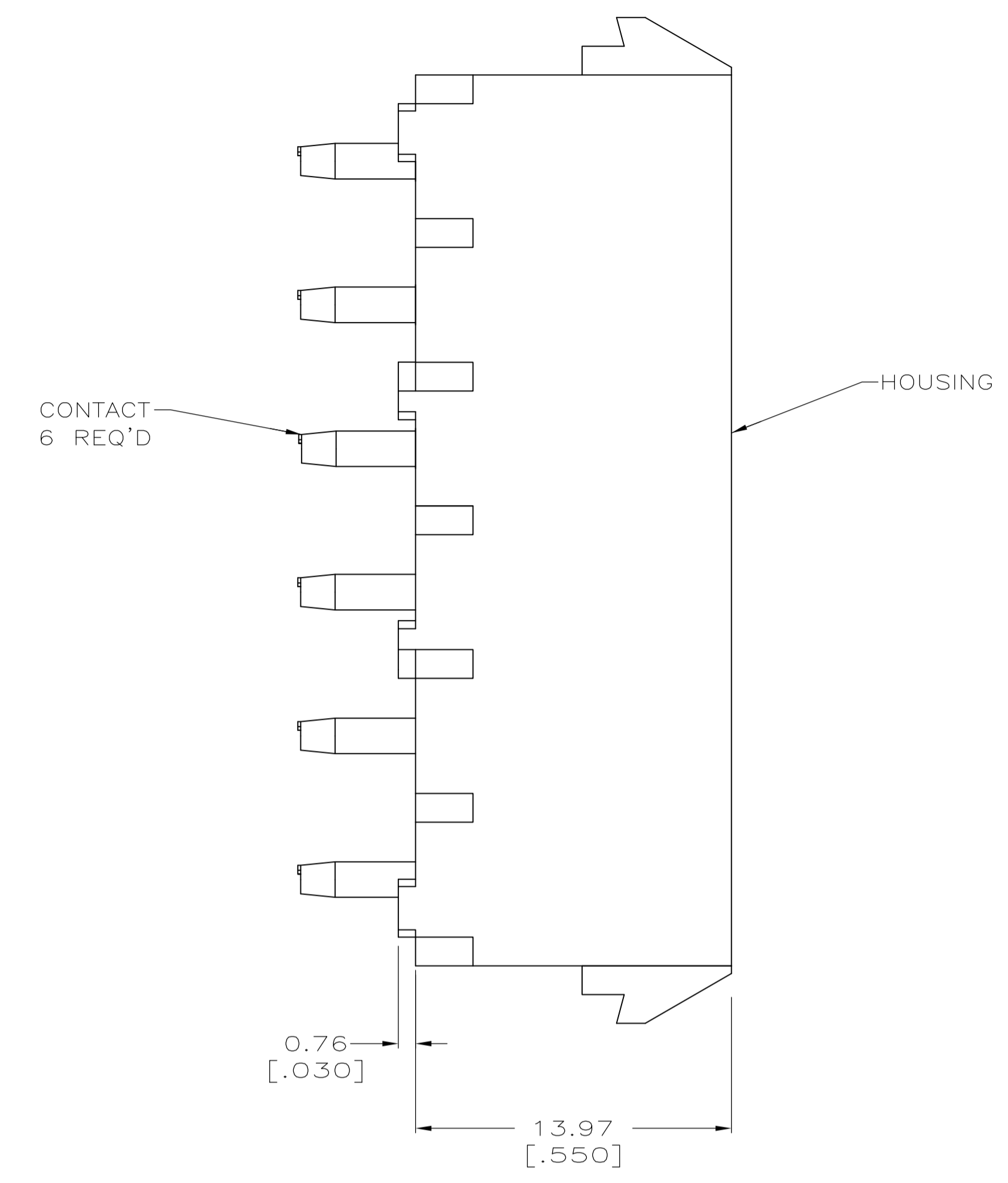
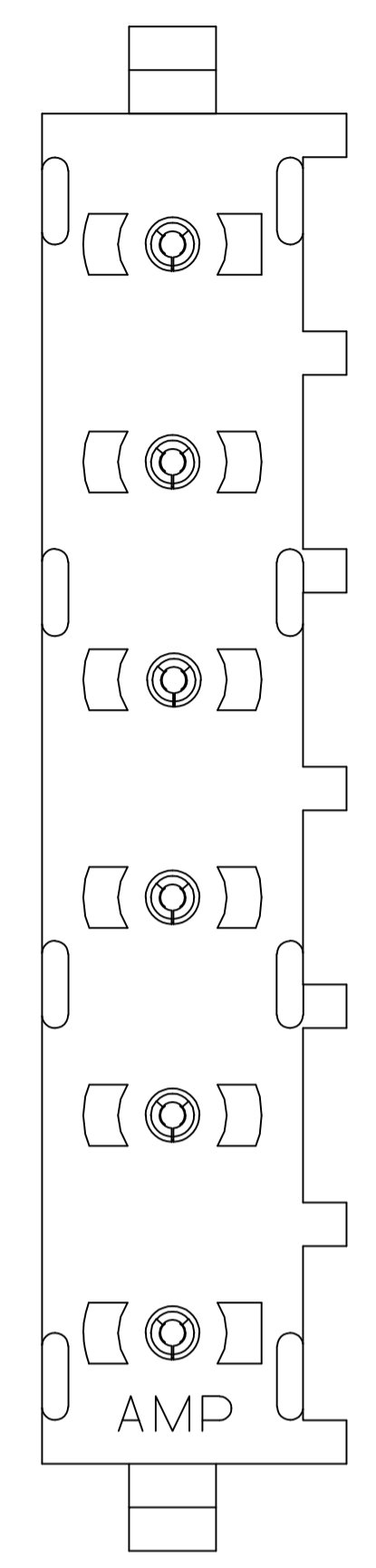
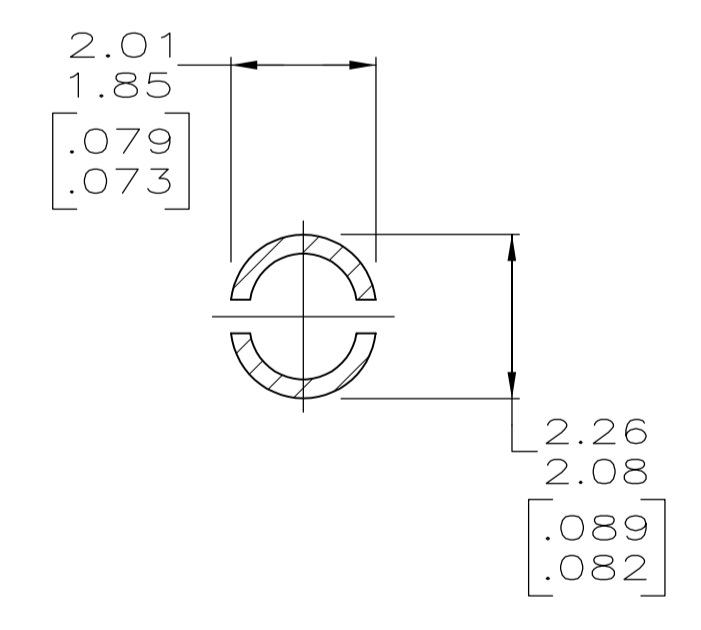
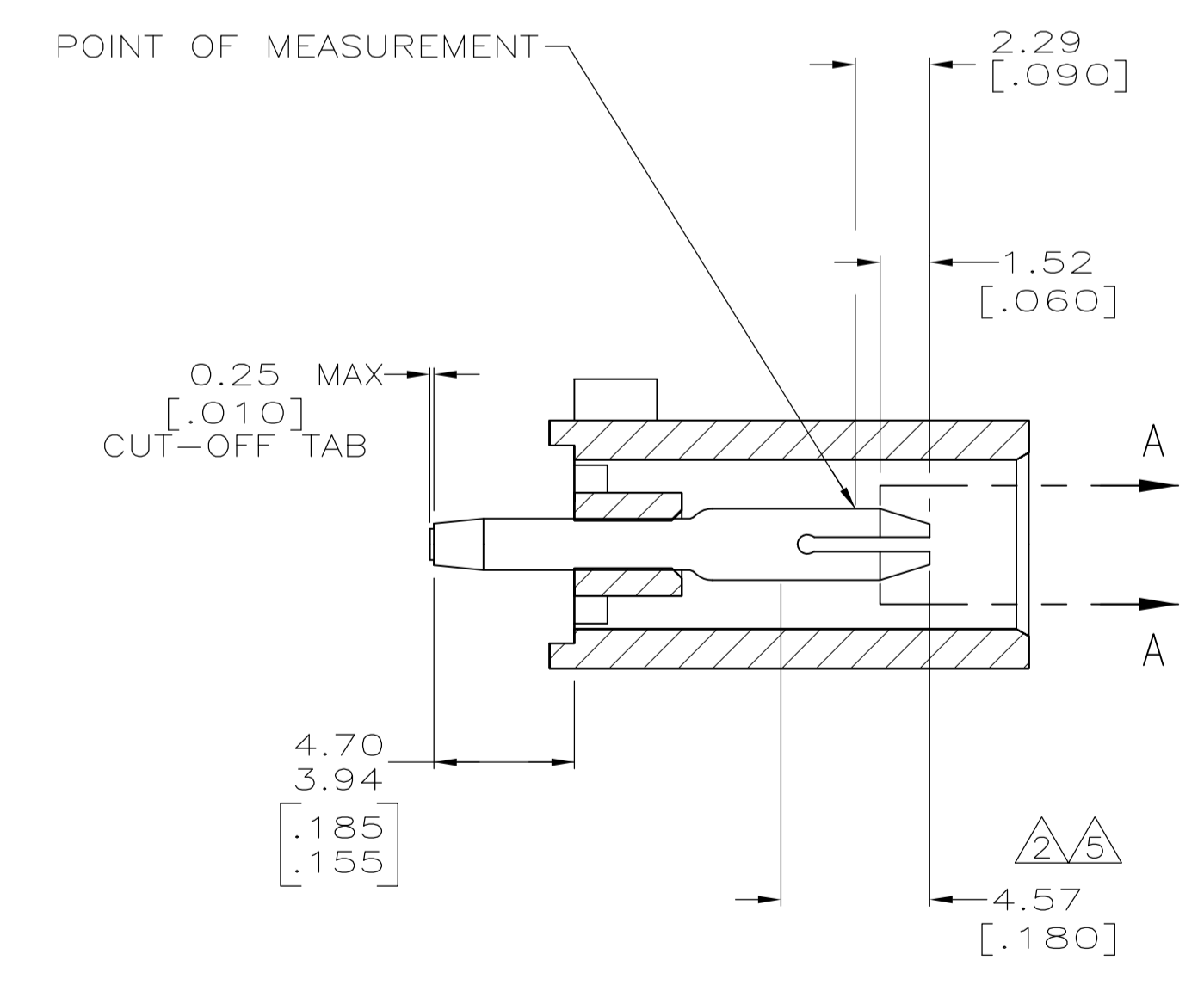


LOC		DIST		REVISIONS			
P	LTR	DESCRIPTION	DATE	DMN	APVD		
M6		REVISED PER ECR-12-011660	31JAN13	KH	TM		

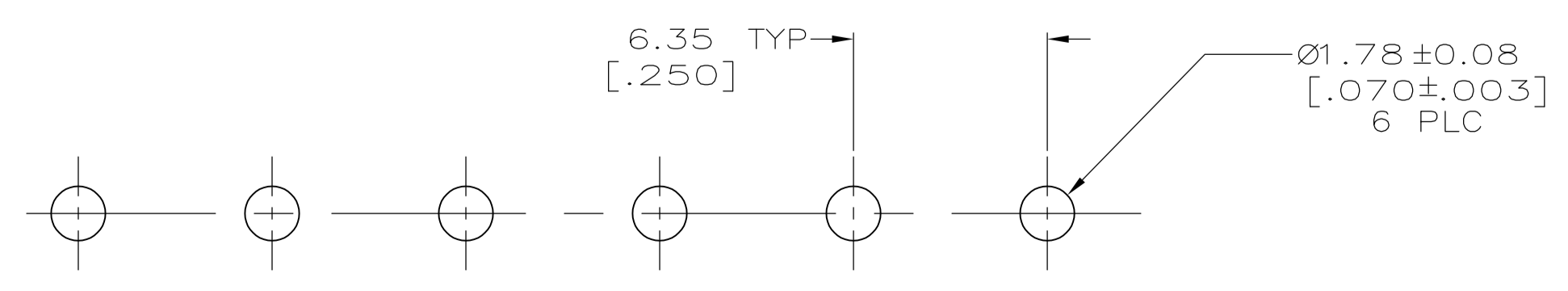
- 1 PARTS COMPLY TO AMP SOLDERABILITY SPECIFICATION 109-11-3.
- 2 CONTACT IS PLATED OVERALL WITH 0.00127 [.000050] NICKEL, THEN 0.00076 [.000030] GOLD OVER CONTACT LENGTH INDICATED AND MATTE TIN LEAD ON SOLDER TAIL END.
- 3 CIRCUIT IDENTIFICATION CHARACTERS ARE ADJACENT TO THE INDICATED CAVITIES, BUT LOCATION AND ORIENTATION MAY DIFFER FROM PRINT.
- 4 DIMENSIONS IN BRACKETS ARE IN INCHES.
- 5 CONTACT IS PLATED OVERALL WITH 0.00127 [.000050] NICKEL, THEN 0.00076 [.000030] GOLD OVER CONTACT LENGTH INDICATED AND MATTE TIN ON SOLDER TAIL END.
- 6 SUPERSEDED BY 641831-3



3-DIMENSIONAL MODEL NTS



SECTION A-A SCALE 10:1



RECOMMENDED MOUNTING HOLE PATTERN FOR 1.57 [.062] THICK P.C. BOARD

MATERIAL	FINISH	HOUSING MATERIAL	PART NUMBER
PHOSPHOR BRONZE, PRE-TIN		NYLON,UL94V-0,BLUE	1-641831-6
PHOSPHOR BRONZE, PRE-TIN		NYLON,UL94V-0,RED	1-641831-2
PHOSPHOR BRONZE, GOLD	5	NYLON,UL94V-0,WHITE	641831-3
PHOSPHOR BRONZE, GOLD	2	NYLON,UL94V-0,WHITE	641831-2
PHOSPHOR BRONZE, PRE-TIN		NYLON,UL94V-0,WHITE	641831-1

THIS DRAWING IS A CONTROLLED DOCUMENT.		DIN R LEWIS 10-05-98	TE Connectivity PIN HEADER ASSEMBLY, 6 CIRCUIT UNIVERSAL MATE-N-LOK(TM)	
DIMENSIONS: mm [INCHES]		CHK R SWING 10-05-98		
TOLERANCES UNLESS OTHERWISE SPECIFIED:		APVD M TRULL 10-05-98	NAME	
0 PLC ± -		APPLICATION SPEC	SIZE	
1 PLC ± -			CASE CODE	
2 PLC ± 0.13 [.005]			DRAWING NO	
3 PLC ± -			RESTRICTED TO	
4 PLC ± -			SCALE	
ANGLES ± 0°30'			SHEET	
MATERIAL SEE TABLE		WEIGHT	REV	
FINISH SEE TABLE			M6	

单击下面可查看定价，库存，交付和生命周期等信息

[>>TE Connectivity\(泰科\)](#)