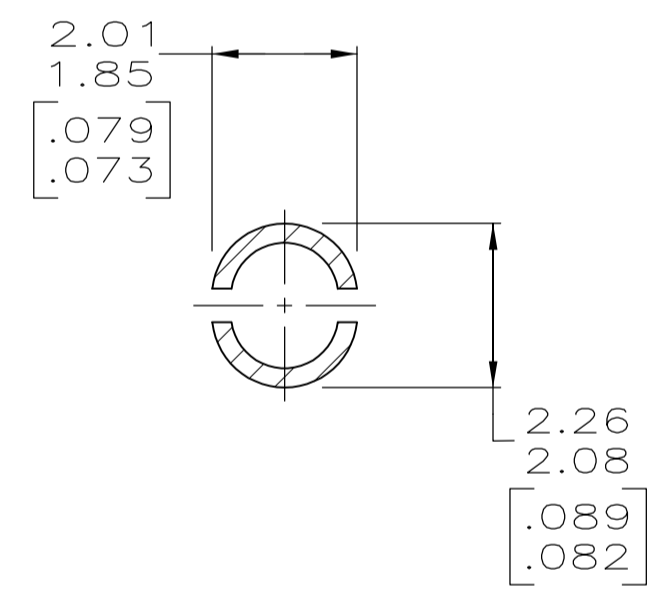
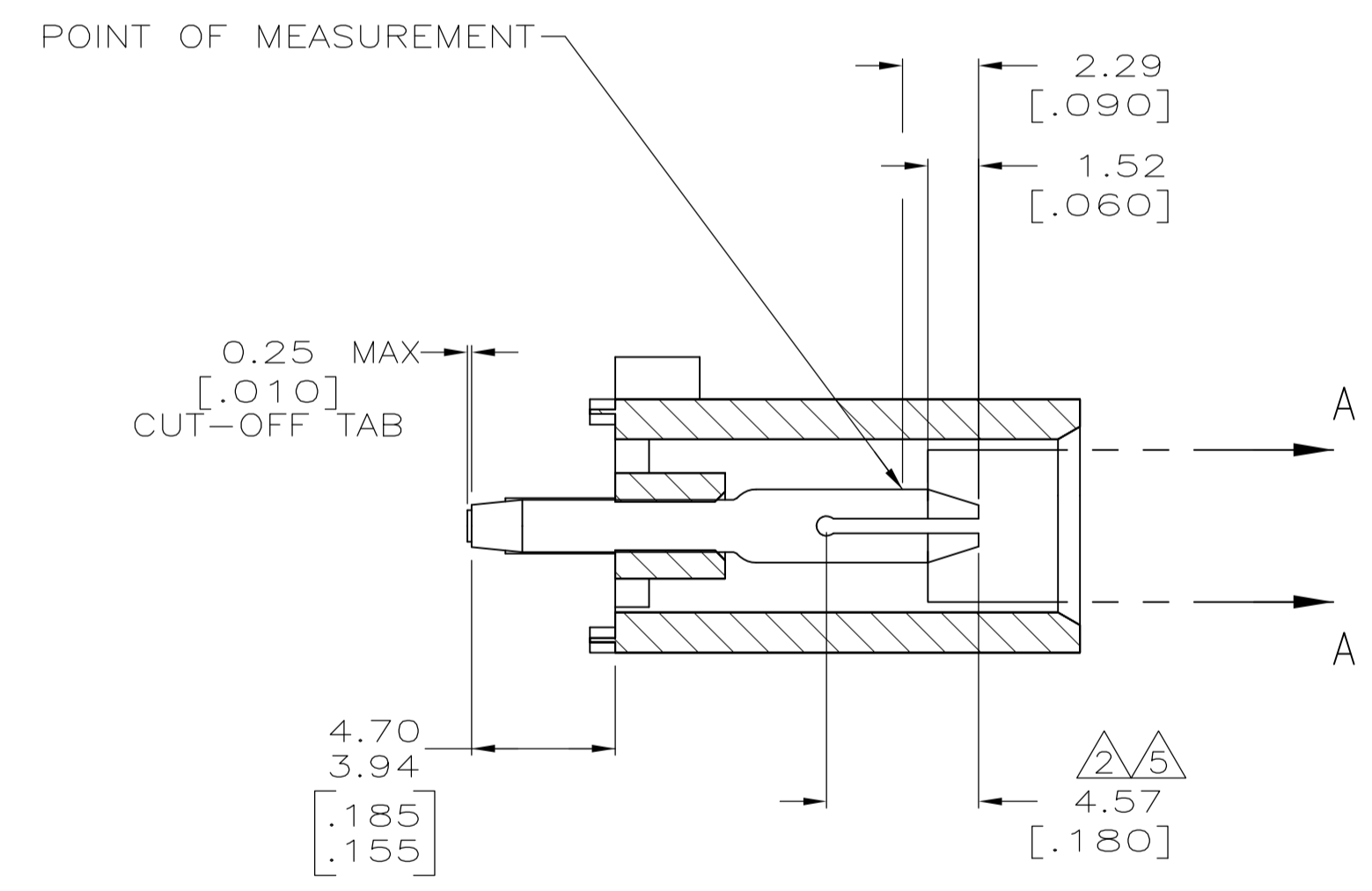
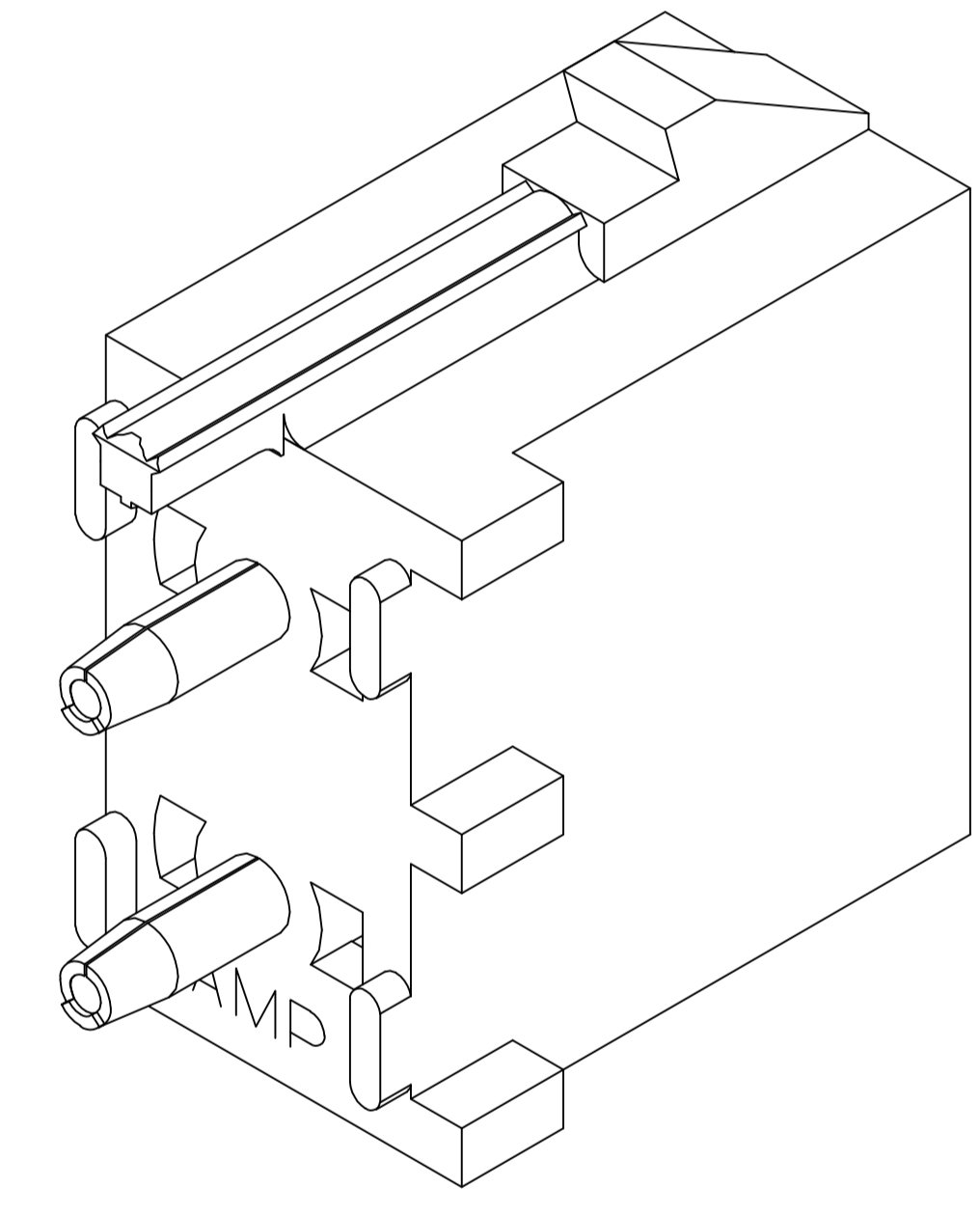


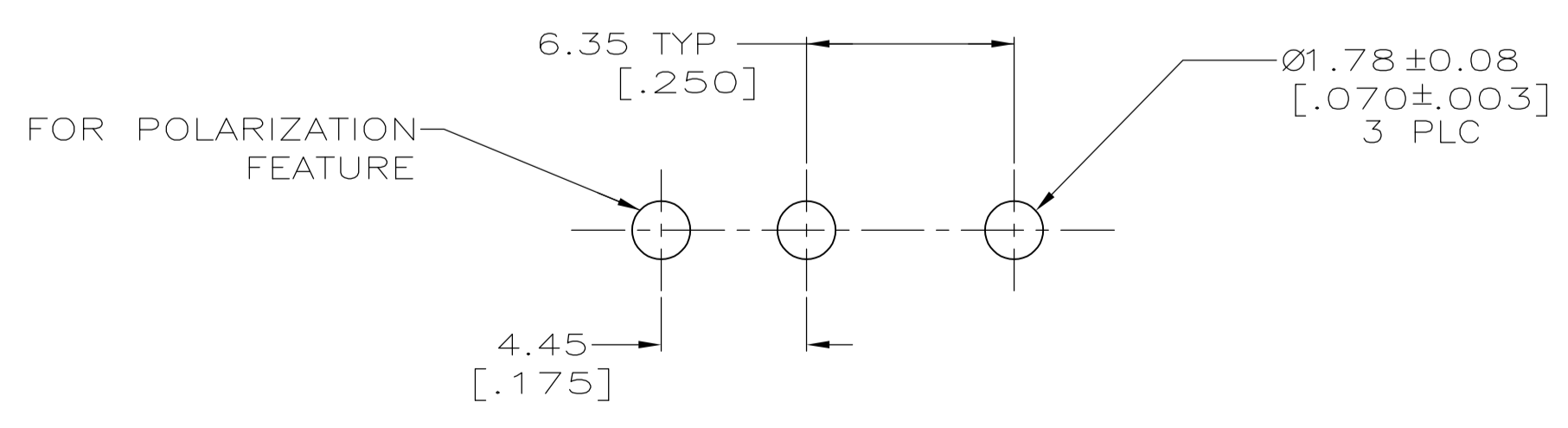
- 1 PARTS COMPLY TO AMP SOLDERABILITY SPECIFICATION 109-11-3.
- 2 CONTACT IS PLATED OVERALL WITH 0.00127[.000050] NICKEL, THEN 0.00076 [.000030] GOLD OVER CONTACT LENGTH INDICATED AND MATTE TIN LEAD ON SOLDER TAIL END.
- 3 CIRCUIT IDENTIFICATION CHARACTERS ARE ADJACENT TO THE INDICATED CAVITIES, BUT LOCATION AND ORIENTATION MAY DIFFER FROM PRINT.
- 4 DIMENSIONS IN BRACKETS ARE IN INCHES.
- 5 CONTACT IS PLATED OVERALL WITH 0.00127[.000050] NICKEL, THEN 0.00076 [.000030] GOLD OVER CONTACT LENGTH INDICATED AND MATTE TIN ON SOLDER TAIL END.
- 6 SUPERSEDED BY 641963-3



SECTION A-A  
SCALE 10:1



3-DIMENSIONAL MODEL  
NTS



RECOMMENDED MOUNTING HOLE PATTERN  
FOR 1.57 [.062] THICK P.C. BOARD

|                                 |                       |             |
|---------------------------------|-----------------------|-------------|
| PHOSPHOR BRONZE, GOLD           | NYLON,UL94V-2,NATURAL | 641963-3    |
| PHOSPHOR BRONZE, GOLD           | NYLON,UL94V-2,NATURAL | 641963-2    |
| PHOSPHOR BRONZE, PRE-TIN        | NYLON,UL94V-2,NATURAL | 641963-1    |
| PIN CONTACT MATERIAL AND FINISH | HOUSING MATERIAL      | PART NUMBER |

|  |  |  |  |                               |  |
|--|--|--|--|-------------------------------|--|
| THIS DRAWING IS A CONTROLLED DOCUMENT. |  | BIN L McEACHIN 07-JAN-2000             |  | STE TE Connectivity           |  |
| DIMENSIONS: mm [INCHES]                |  | TOLERANCES UNLESS OTHERWISE SPECIFIED: |  | NAME                          |  |
| 0 PLC ± -                              |  | 1 PLC ± -                              |  | K COBLE 07-JUN-2000           |  |
| 1 PLC ± -                              |  | 2 PLC ± 0.13 [.005]                    |  | PRODUCT SPEC                  |  |
| 2 PLC ± -                              |  | 3 PLC ± -                              |  | APPLICATION SPEC              |  |
| 3 PLC ± -                              |  | 4 PLC ± -                              |  | SIZE                          |  |
| 4 PLC ± -                              |  | ANGLES ± 0°30'                         |  | CAGE CODE                     |  |
| MATERIAL SEE TABLE                     |  | FINISH SEE TABLE                       |  | DRAWING NO                    |  |
|  |  |  |  | A1 00779                      |  |
|  |  |  |  | DRAWING NO                    |  |
|  |  |  |  | 641963                        |  |
|  |  |  |  | RESTRICTED TO                 |  |
|  |  |  |  | -                             |  |
|  |  |  |  | CUSTOMER DRAWING              |  |
|  |  |  |  | SCALE 5:1 SHEET 1 OF 1 REV K1 |  |

单击下面可查看定价，库存，交付和生命周期等信息

[>>TE Connectivity\(泰科\)](#)