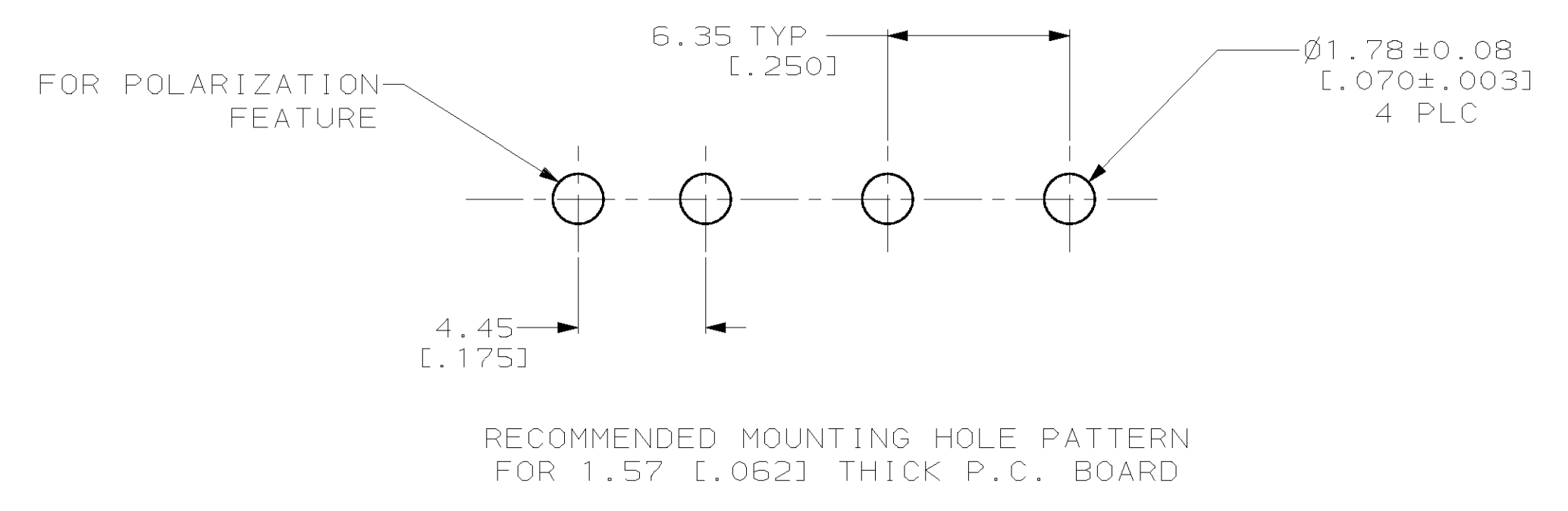
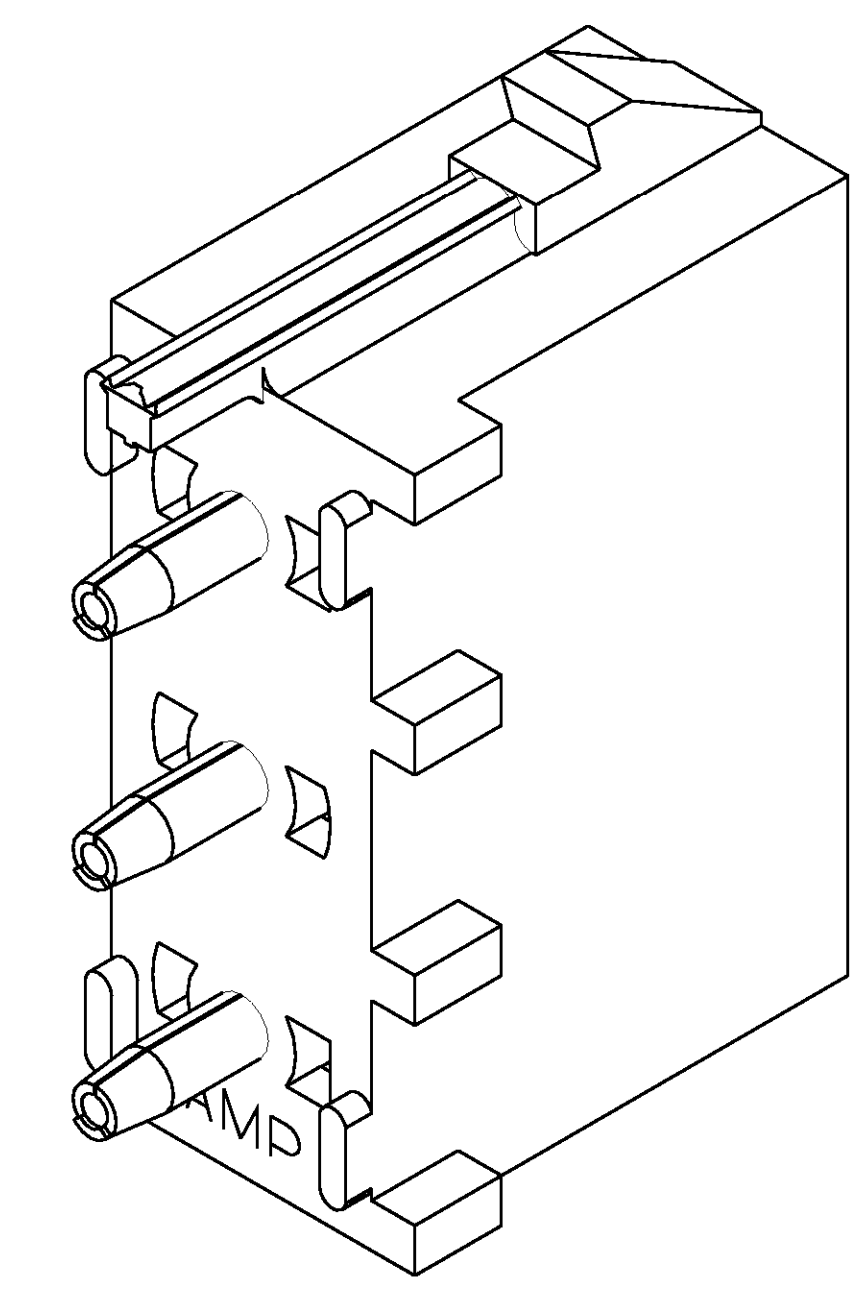
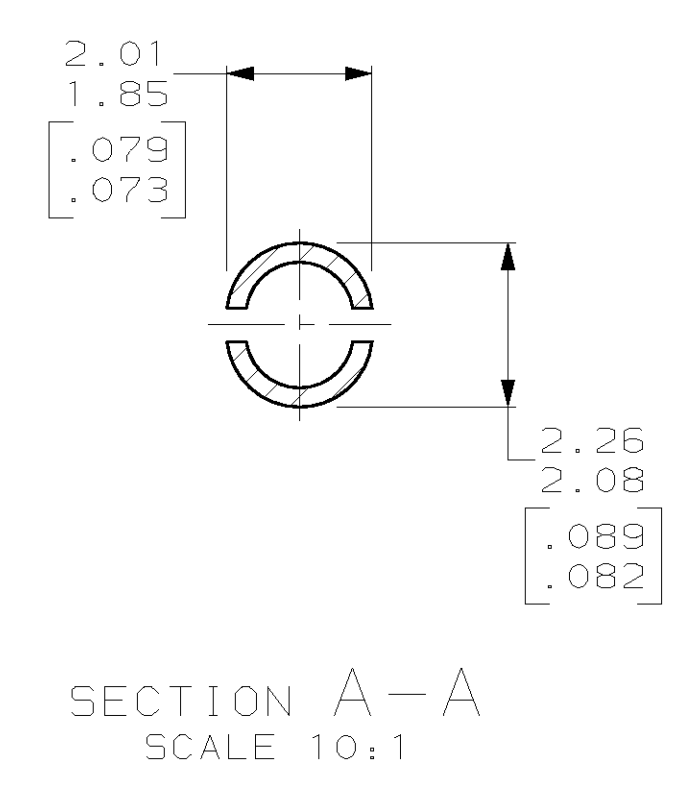
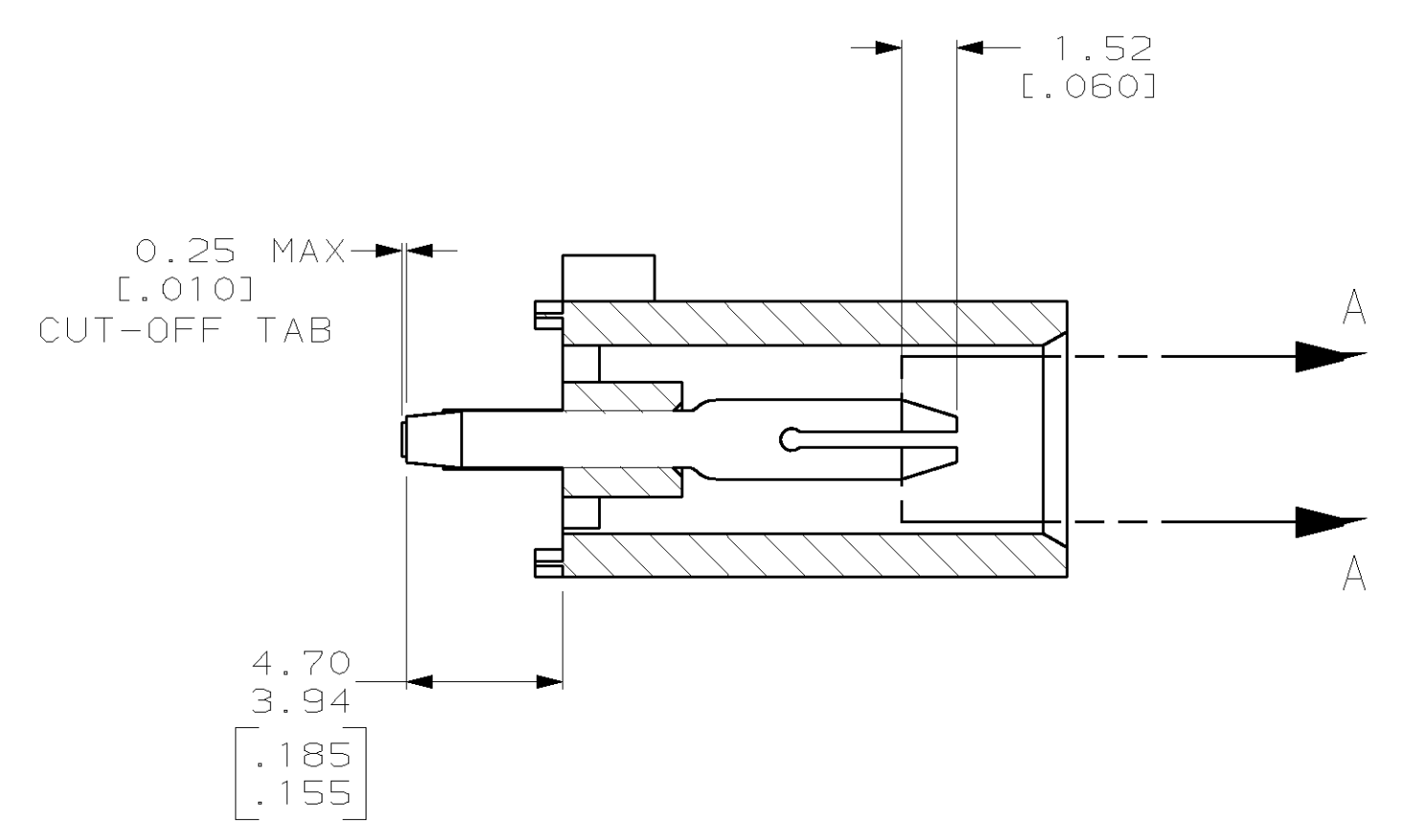
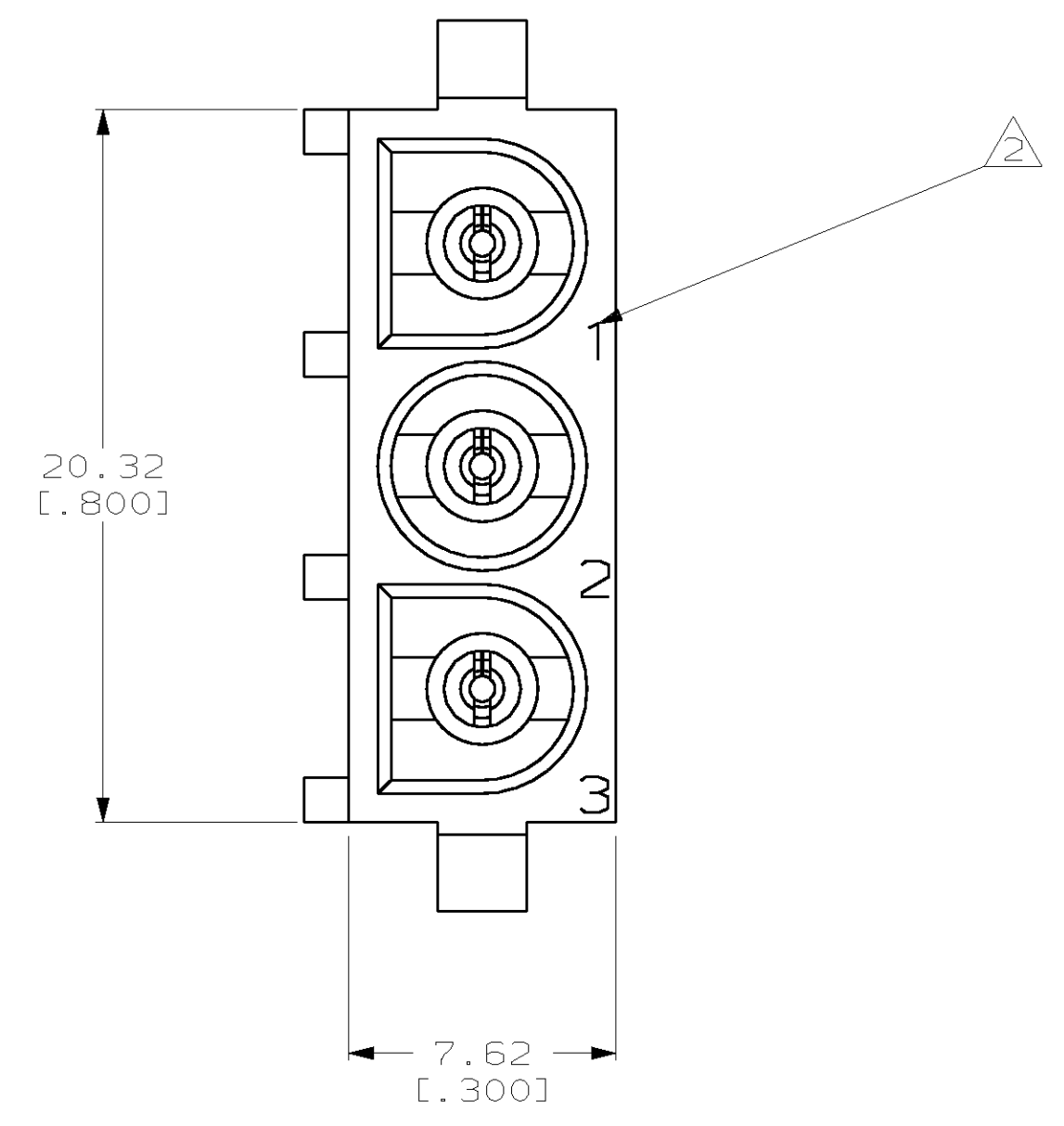
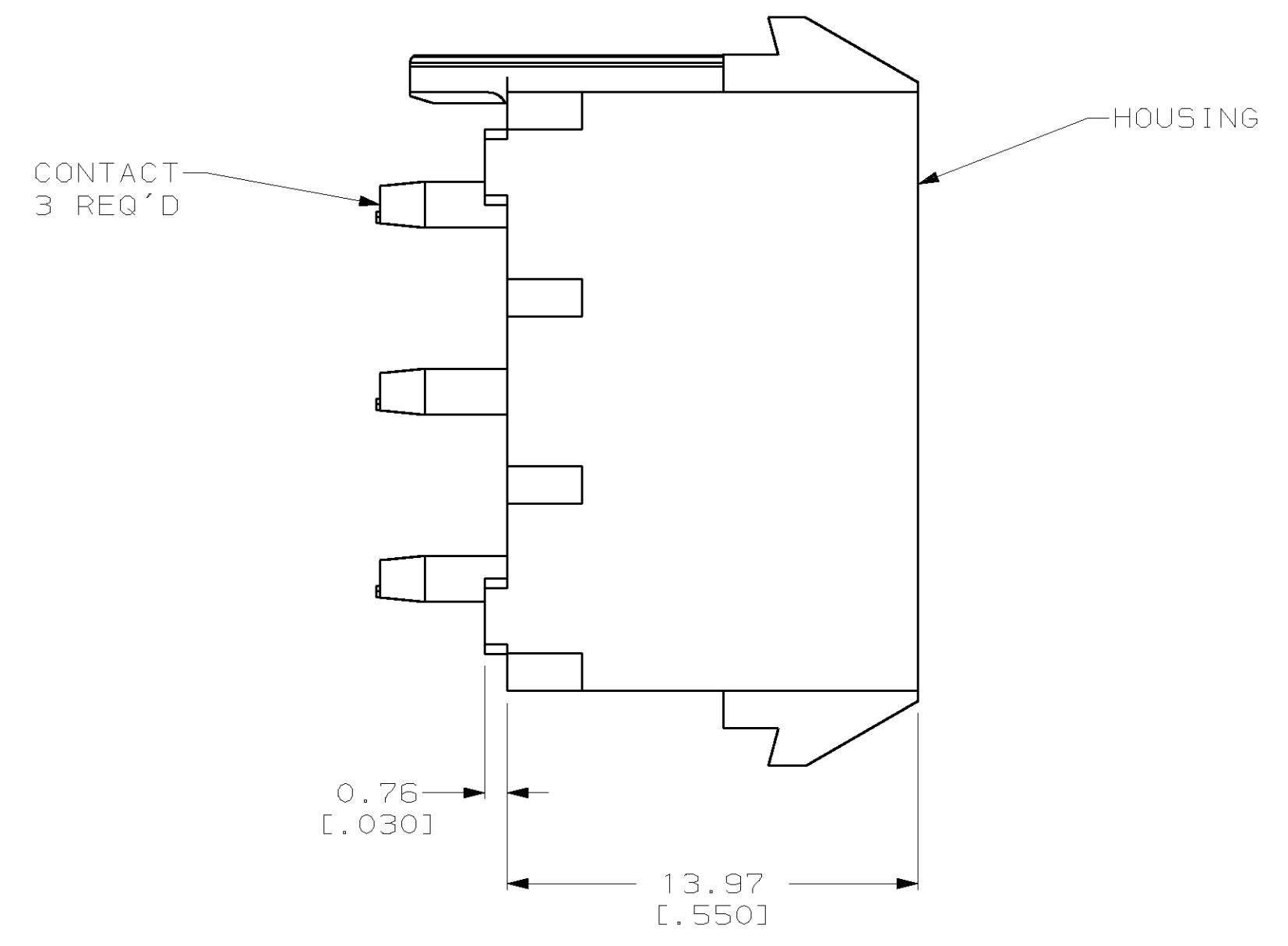
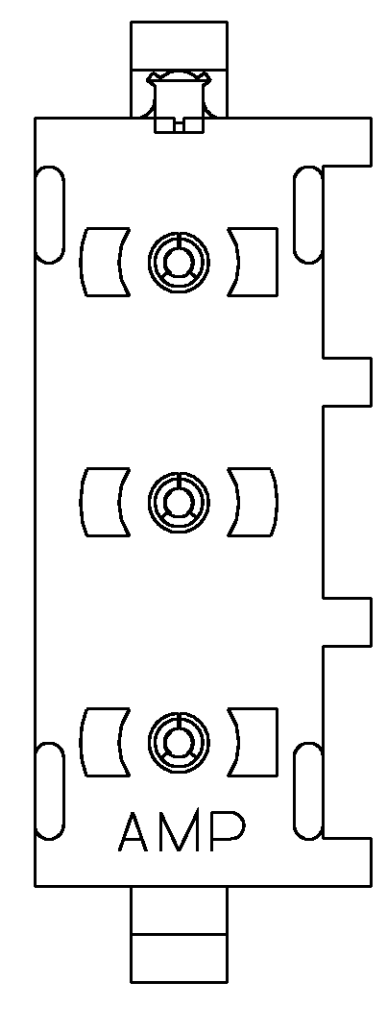


LOC		DIST		REVISIONS			
F	L	REV	DATE	BY	CHK	APVD	
L		REV & REDWN PER EC 0638-0222-99	07-JAN-00	LM		KC	

- PARTS COMPLY TO AMP SOLDERABILITY SPECIFICATION 109-11-3.
- CIRCUIT IDENTIFICATION CHARACTERS ARE ADJACENT TO THE INDICATED CAVITIES, BUT LOCATION AND ORIENTATION MAY DIFFER FROM PRINT.
- DIMENSIONS IN BRACKETS ARE IN INCHES.



PHOSPHOR BRONZE, PRE-TIN PIN CONTACT MATERIAL AND FINISH	NYLON, UL94V-2, NATURAL HOUSING MATERIAL	641965-1 PART NO
THIS DRAWING IS A CONTROLLED DOCUMENT. DIMENSIONS: mm (INCHES) TOLERANCES UNLESS OTHERWISE SPECIFIED: 0 PLC ± 1 PLC ± 2 PLC ±0.13 (.005) 3 PLC ± 4 PLC ± ANGLES 40°-30° MATERIAL SEE TABLE FINISH SEE TABLE		DWN L. McEACHIN 07-JAN-2000 CHK K. COBLE 07-JUN-2000 APVD K. COBLE 07-JUN-2000 PRODUCT SPEC APPLICATION SPEC WEIGHT CUSTOMER DRAWING
AMP INCORPORATED HARRISBURG, PA 17105-3608 NAME: PIN HEADER ASSEMBLY, POLARIZED, 3 CIRCUIT, UNIVERSAL MATE-N-LOK™ SIZE: A1 CAGE CODE: 00779 DRAWING NO: 641965 SCALE: 5:1 SHEET 1 OF 1 REV L		



单击下面可查看定价，库存，交付和生命周期等信息

[>>TE Connectivity\(泰科\)](#)