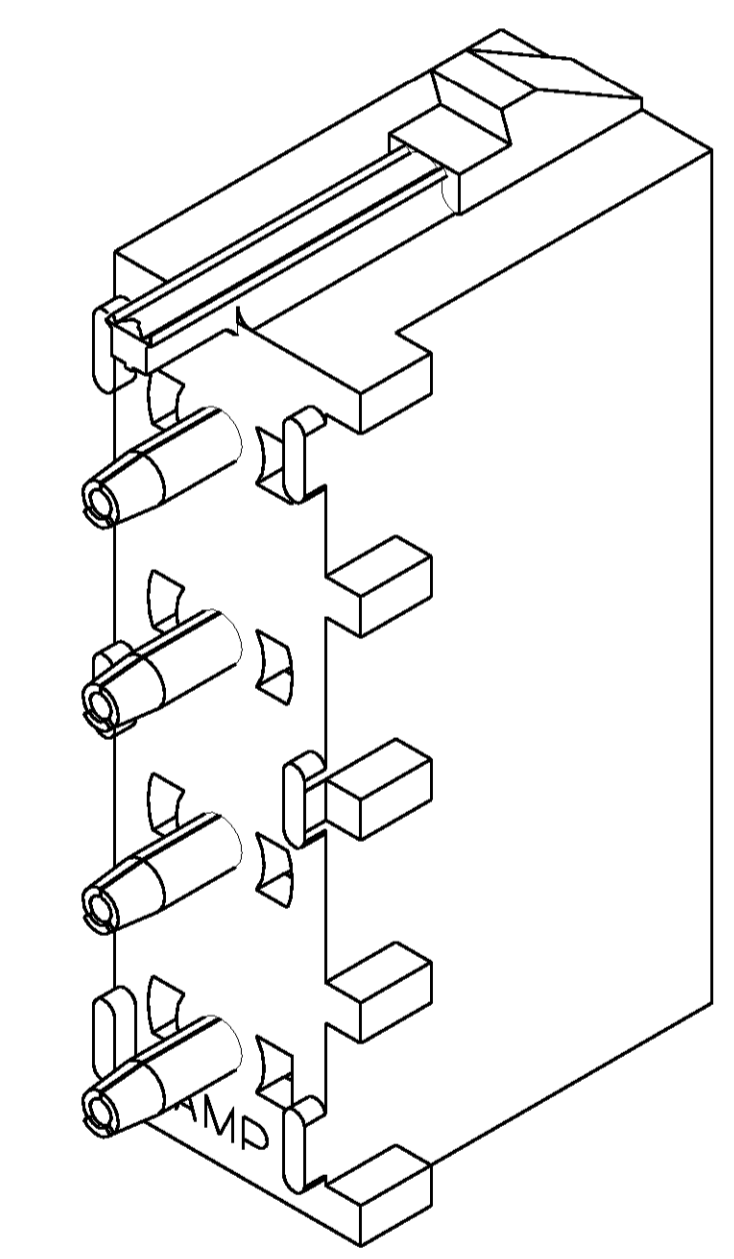
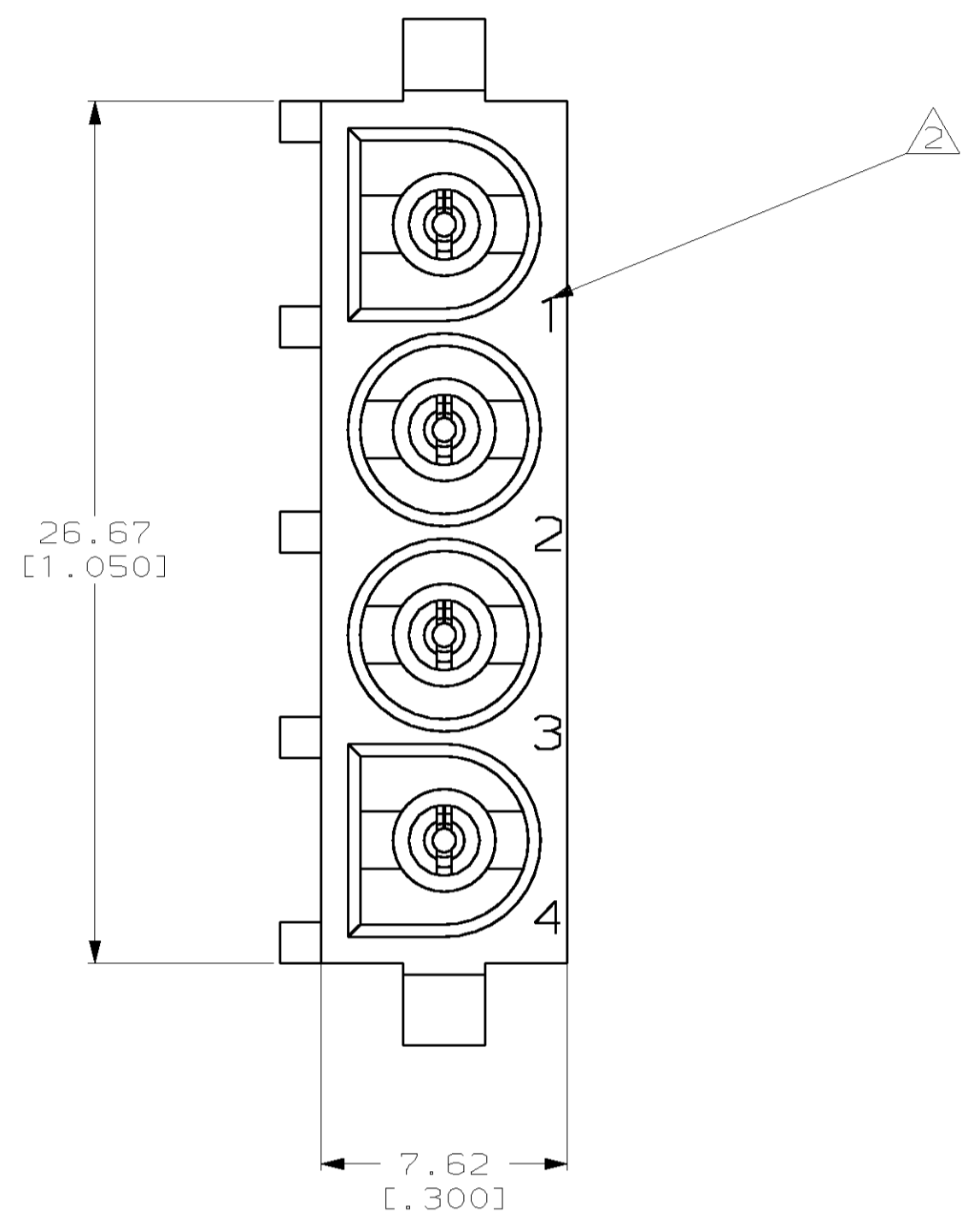
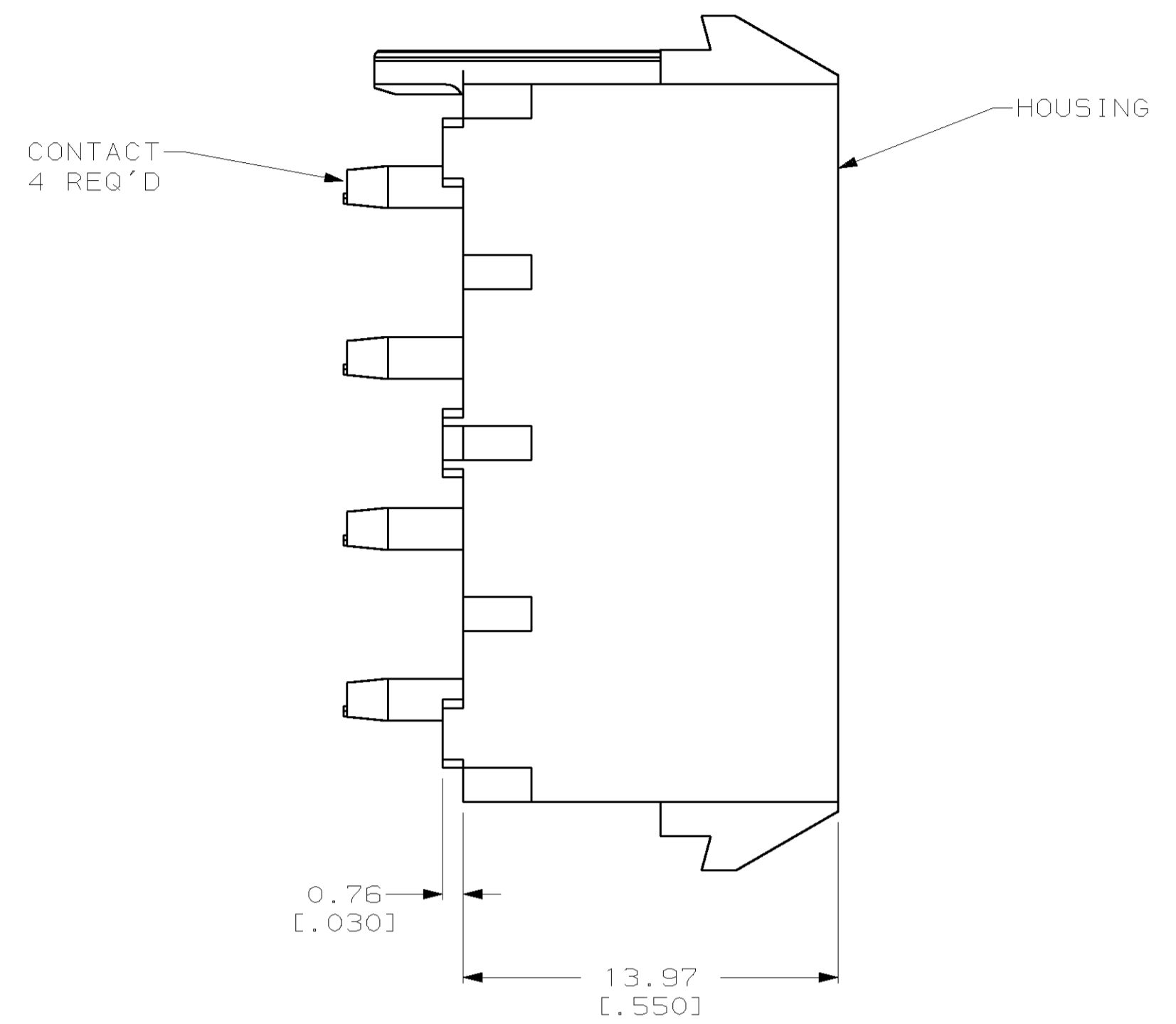
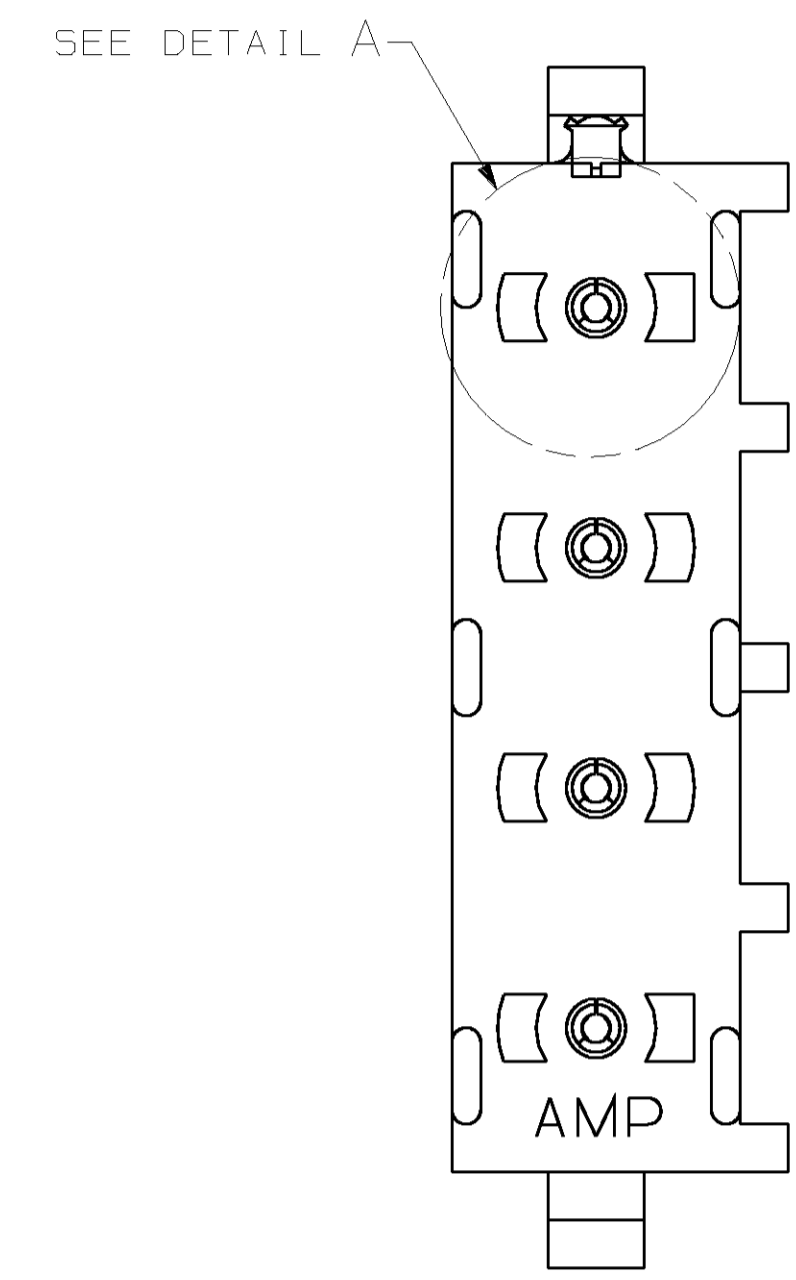
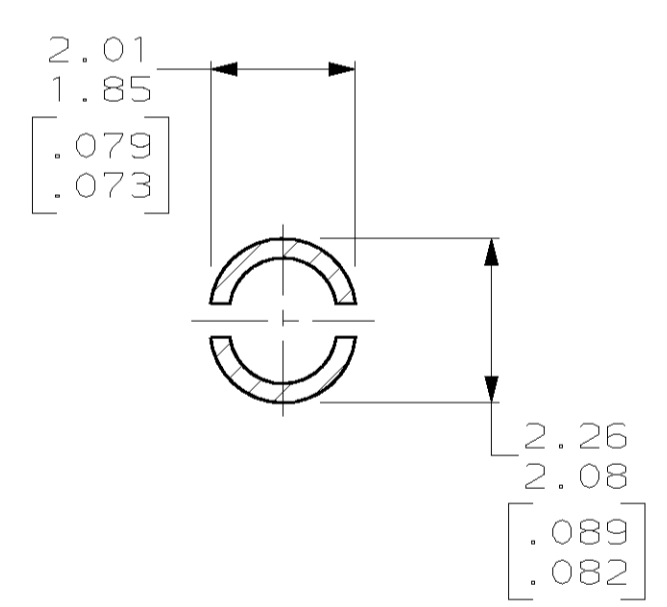
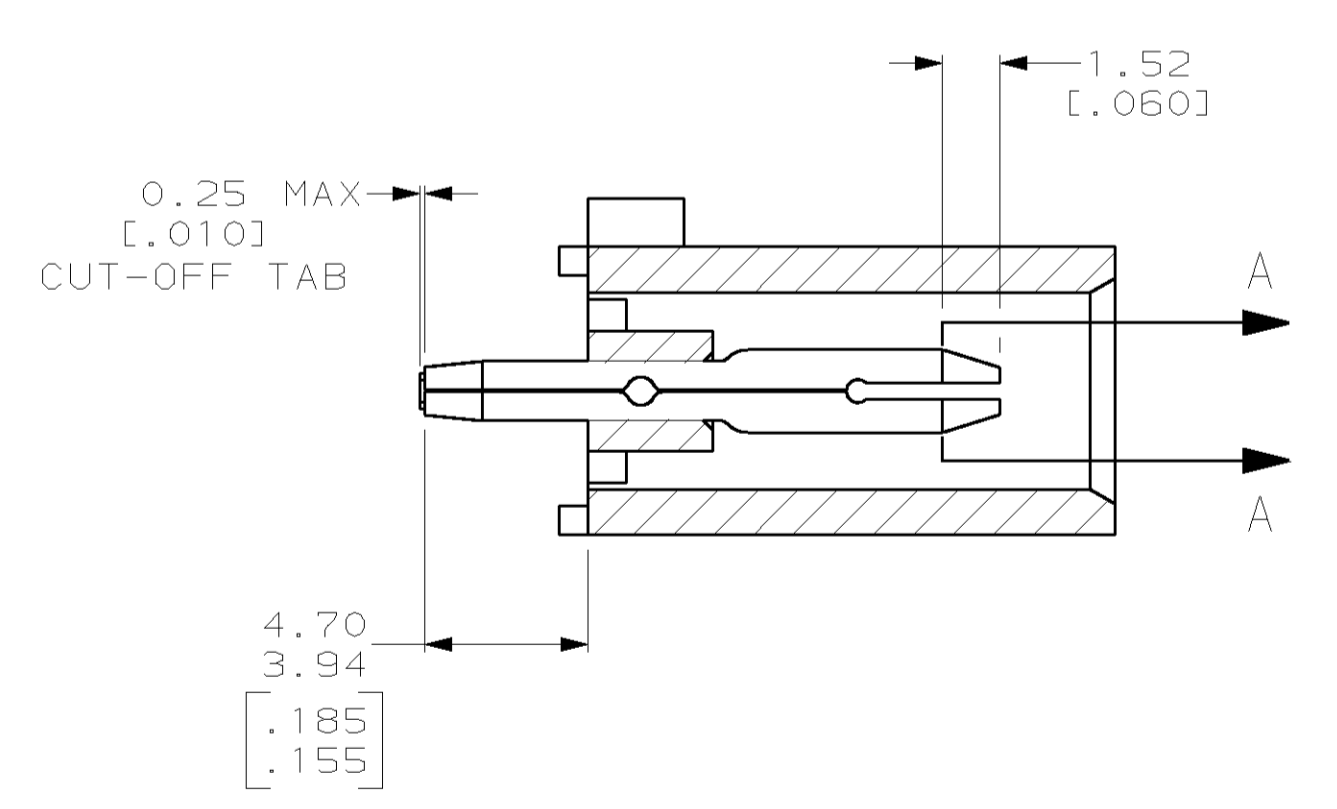


| LOC | DIST | REVISIONS | | | |
|-----|------|-----------------------------|-----------|-----|------|
| F | CHR | DESCRIPTION | DATE | OWN | APVD |
| M | | REVISED PER EC 063B-0300-00 | 23-JUN-00 | LM | KC |

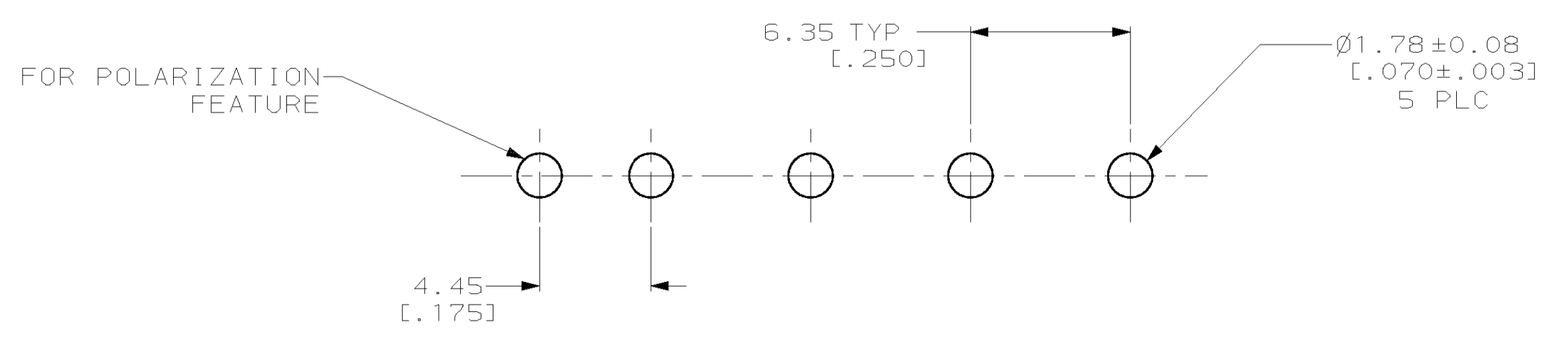
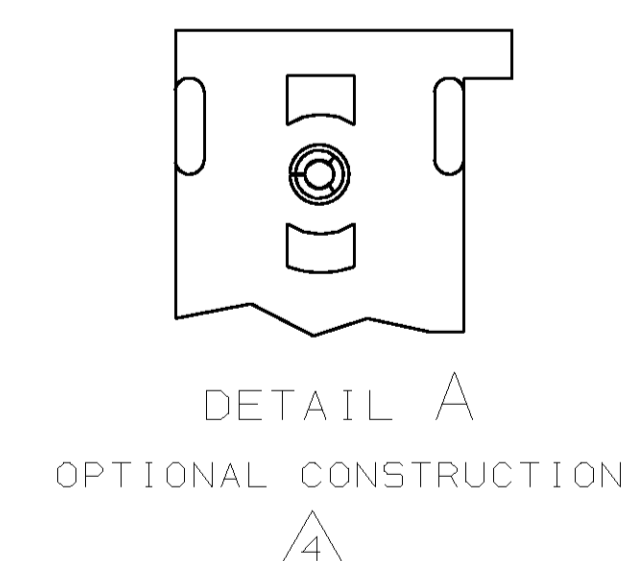
- PARTS COMPLY TO AMP SOLDERABILITY SPECIFICATION 109-11-3.
- CIRCUIT IDENTIFICATION CHARACTERS ARE ADJACENT TO THE INDICATED CAVITIES, BUT LOCATION AND ORIENTATION MAY DIFFER FROM PRINT.
- DIMENSIONS IN BRACKETS ARE IN INCHES.
- DRAIN HOLES LOCATED AS SHOWN. OPTIONAL CONSTRUCTION- ALL DRAIN HOLES LOCATED 90° AS SHOWN IN DETAIL A.



3-DIMENSIONAL MODEL NTS



SECTION A-A
SCALE 10:1



RECOMMENDED MOUNTING HOLE PATTERN FOR 1.57 [.062] THICK P.C. BOARD

| | | |
|--|---|--|
| PHOSPHOR BRONZE, PRE-TIN PIN CONTACT MATERIAL AND FINISH | NYLON, UL94V-2, NATURAL HOUSING MATERIAL | 641967-1 PART NO |
| THIS DRAWING IS A CONTROLLED DOCUMENT. | | DWN L. McEACHIN 07-JAN-2000 CHK K. COBLE 07-JUN-2000 |
| DIMENSIONS: mm (INCHES) | TOLERANCES UNLESS OTHERWISE SPECIFIED: | AMP INCORPORATED HARRISBURG, PA 17105-3608 |
| 0 PLC ± 1 PLC ± 2 PLC ±0.13 (.005) 3 PLC ± 4 PLC ± | ANGLES 40°-90° | NAME: PIN HEADER ASSEMBLY, POLARIZED, 4 CIRCUIT, UNIVERSAL MATE-N-LOK™ |
| MATERIAL SEE TABLE | FINISH SEE TABLE | SIZE: A1 CAGE CODE: 00779 DRAWING NO: 641967 |
| CUSTOMER DRAWING | | WEIGHT: - SCALE: 5:1 SHEET: 1 OF 1 REV: M |



单击下面可查看定价，库存，交付和生命周期等信息

[>>TE Connectivity\(泰科\)](#)