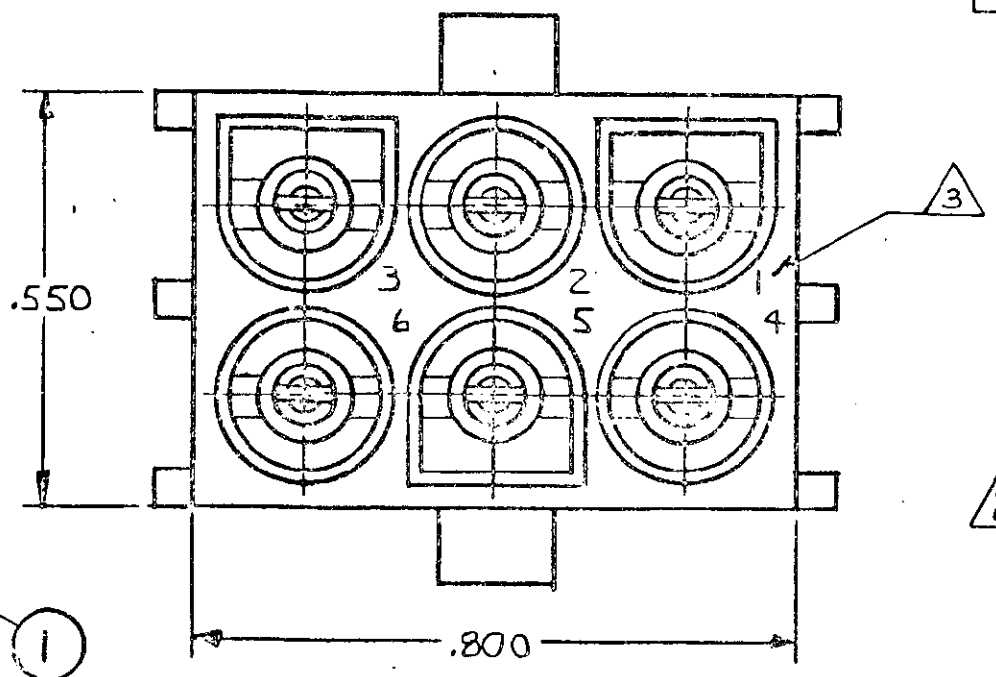
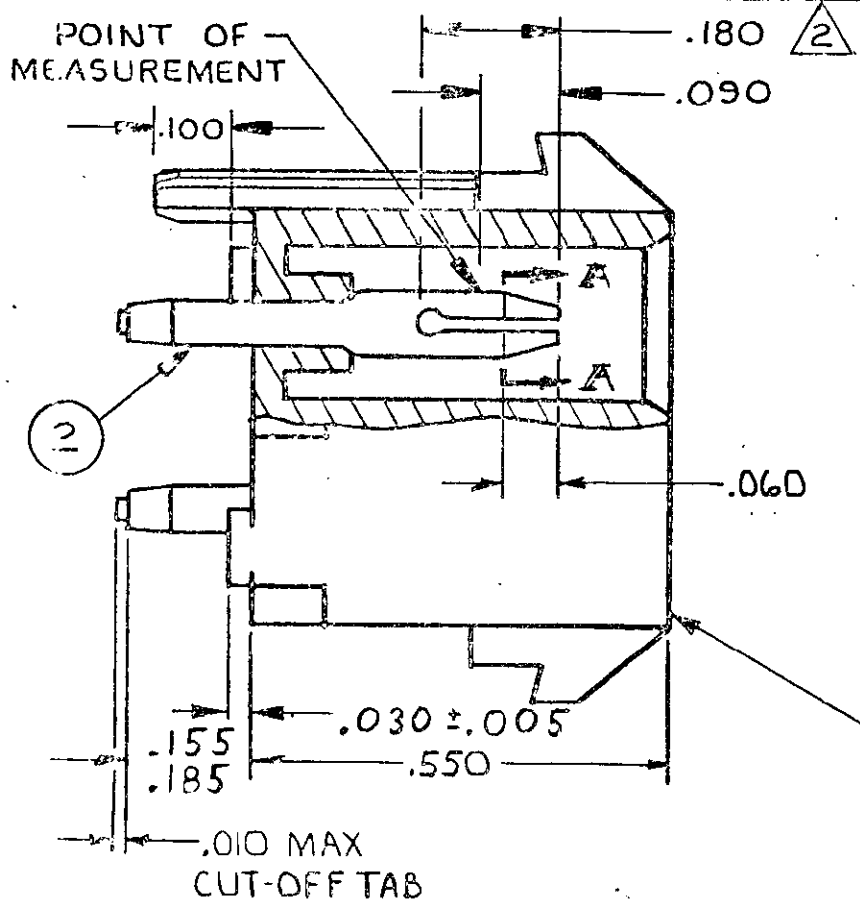


THIS DRAWING IS UNPUBLISHED. RELEASED FOR PUBLICATION . 19

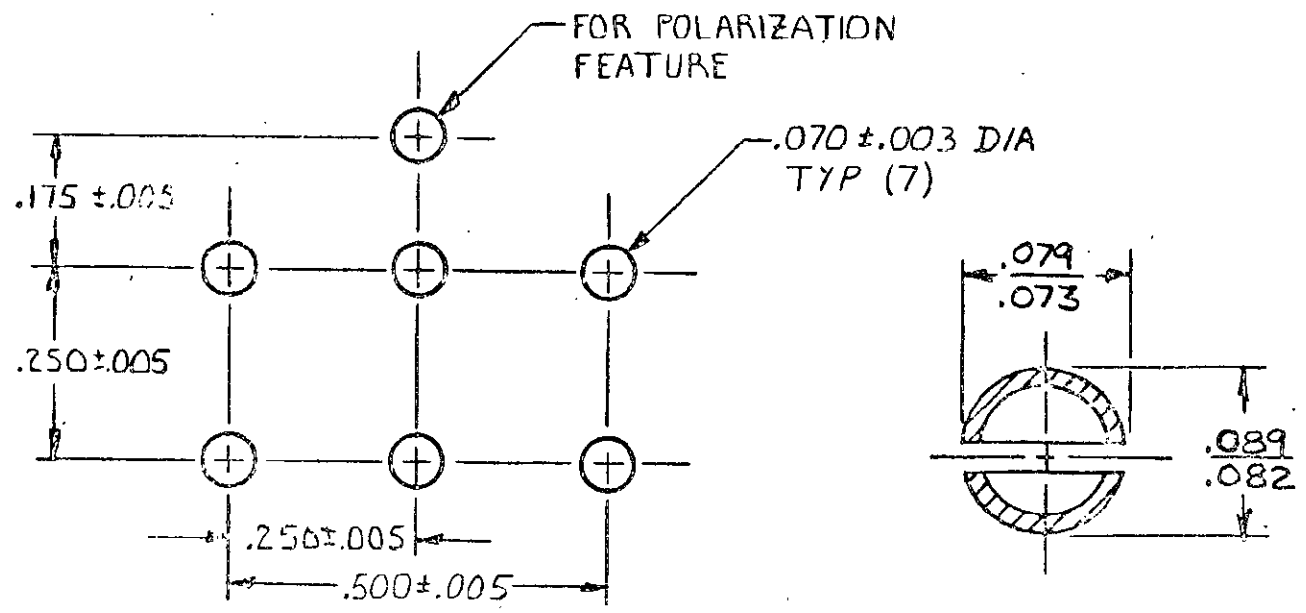
© COPYRIGHT 19 BY AMP INCORPORATED, HARRISBURG, PA. ALL INTERNATIONAL RIGHTS RESERVED. AMP PRODUCTS MAY BE COVERED BY U.S. AND FOREIGN PATENTS AND/OR PATENTS PENDING.

LOC CM DIST 53

REVISIONS						
P	F	ZONE	LTR	DESCRIPTION	DATE	APPROVED
1			J	REACT -1 PER PR CM 92-79	7-17-92	RS
2			K	REV PER ECN 0730-3928-92	1-7-93	RS
3			L	REVISED PER EC 0730-4181-93	7-6-93	RS
4			M	REVISED PER EC 0730-0111-95	8-28-95	RS



- 1. PARTS COMPLY WITH AMP SOLDERABILITY SPEC 109-11-3.
- 2 CONTACT IS PLATED OVERALL WITH .000050 NICKEL, THEN .000030 GOLD OVER CONTACT LENGTH INDICATED AND MATTE TIN ON SOLDER TAIL END.
- 3 CIRCUIT IDENTIFICATION CHARACTERS ARE ADJACENT TO THE INDICATED CAVITIES, BUT LOCATION AND ORIENTATION MAY DIFFER FROM PRINT.



RECOMMENDED LAYOUT FOR .062 THICK P.C. BOARD

SECTION A-A SCALE 10:1

PRE-TIN	PHOS. BRZ	6	CONTACT 2	641969-1
NATURAL	NYLON 94V-2	1	HOUSING 1	
FINISH	MATERIAL	NO PER ASSEMBLY	ITEM NO	PART NO

UNLESS OTHERWISE SPECIFIED DIMENSIONS ARE IN INCHES. TOLERANCES ON: DECIMALS ± .015 ANGLES ±	CONTRACT NO	AMP INCORPORATED Harrisburg, Pa.		
	DR <i>M. Fisher 11-10-81</i>	NAME PIN HEADER ASSEMBLY, UNIVERSAL MATE-N-LOK™, 6 CIRCUIT		
MATERIAL SEE TABLE	CHK <i>D.S. Heide 11/25/81</i>	SIZE B	FSCM NO 00779	DRAWING NO 641969
FINISH SEE TABLE	APPD <i>C.E. ... 11/25/81</i>	SCALE 4-1	SHEET	

单击下面可查看定价，库存，交付和生命周期等信息

[>>TE Connectivity\(泰科\)](#)