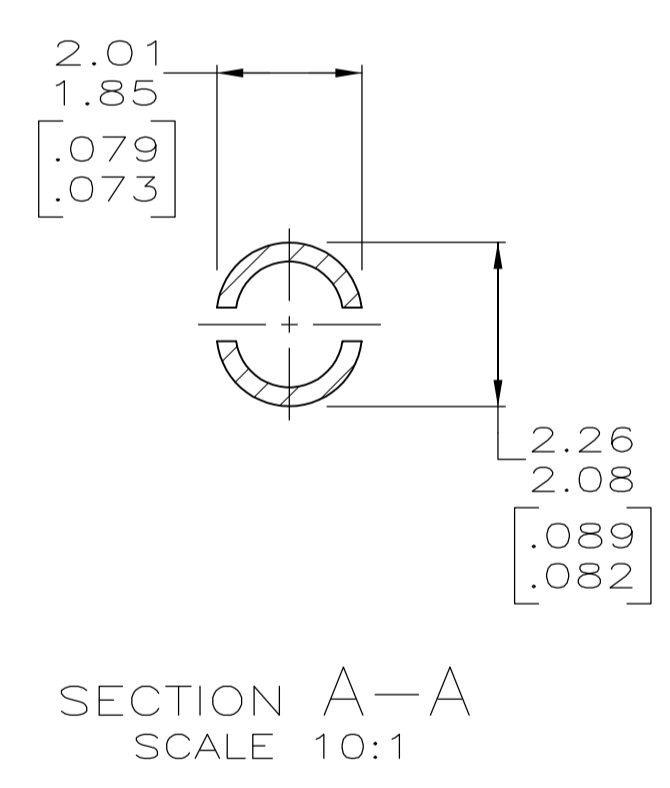
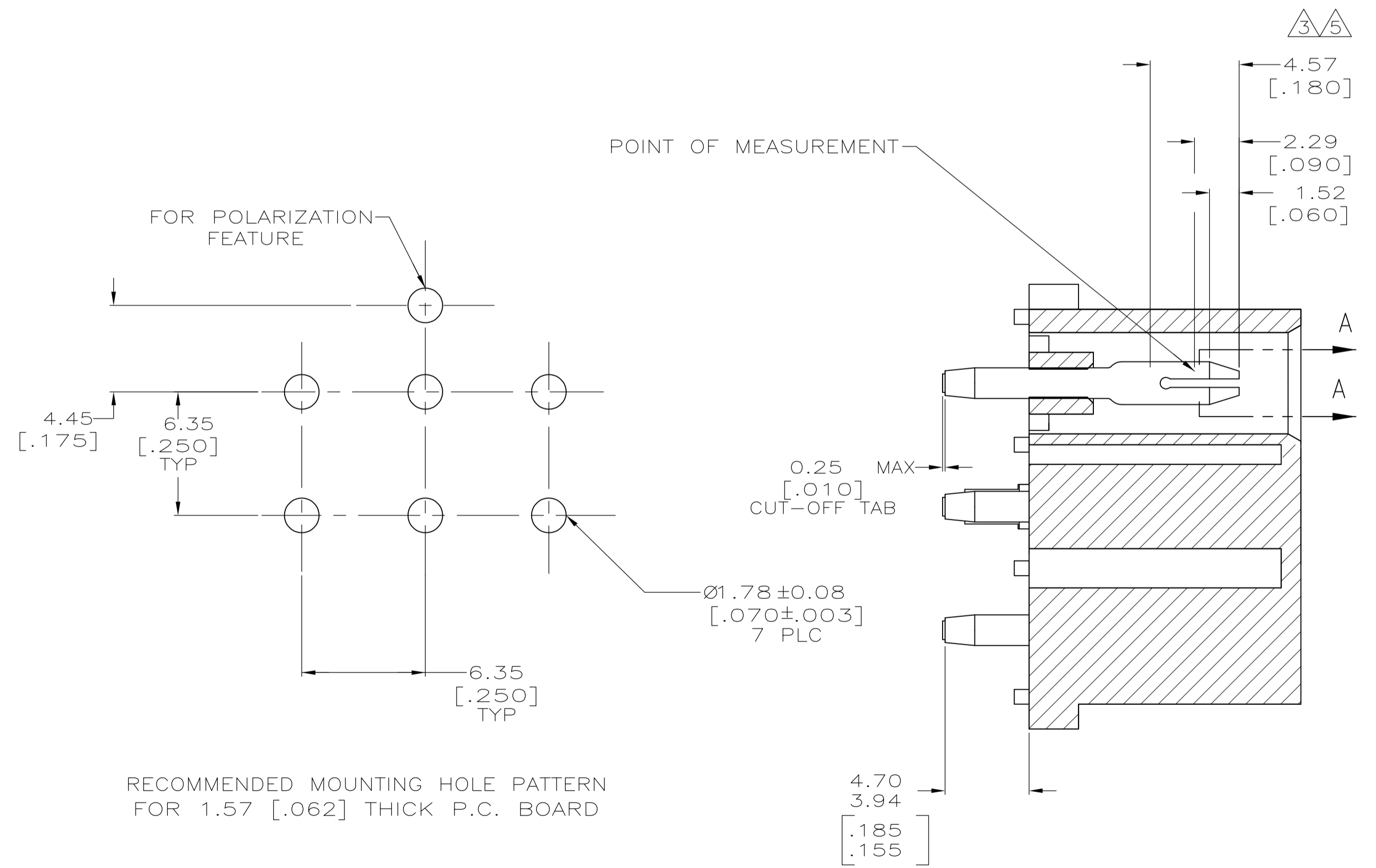
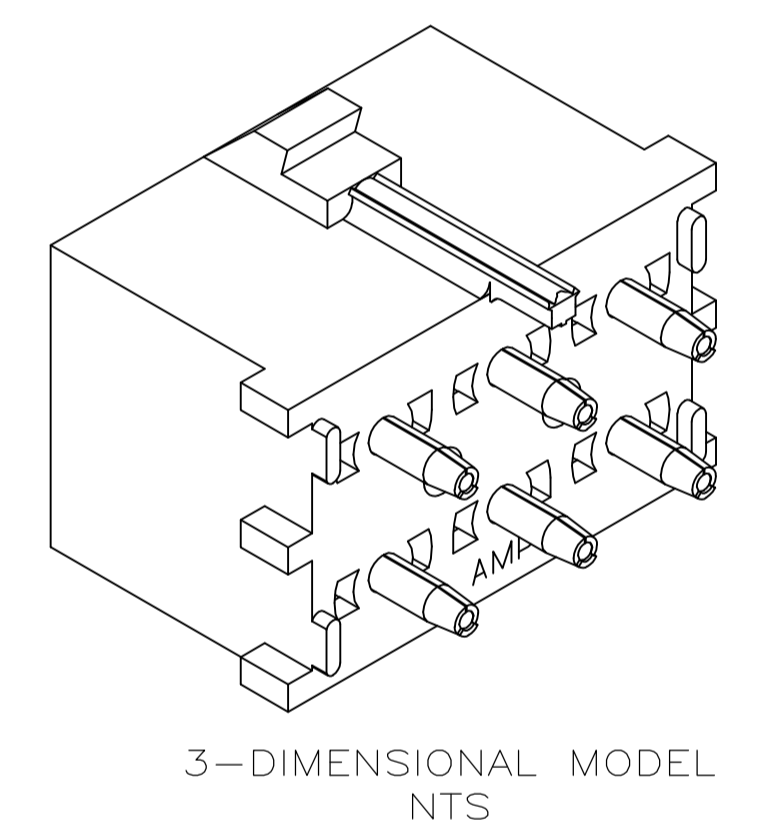
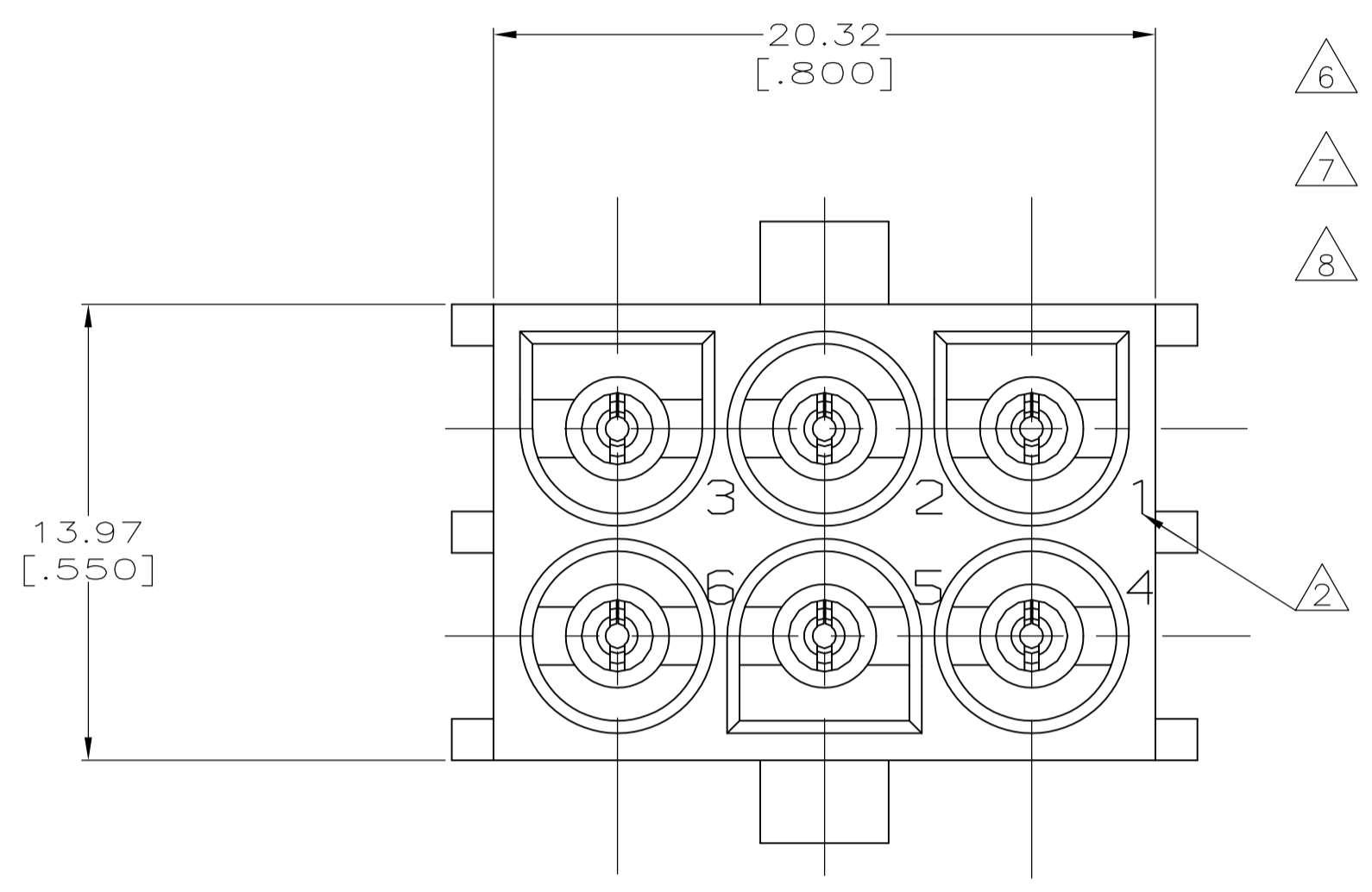
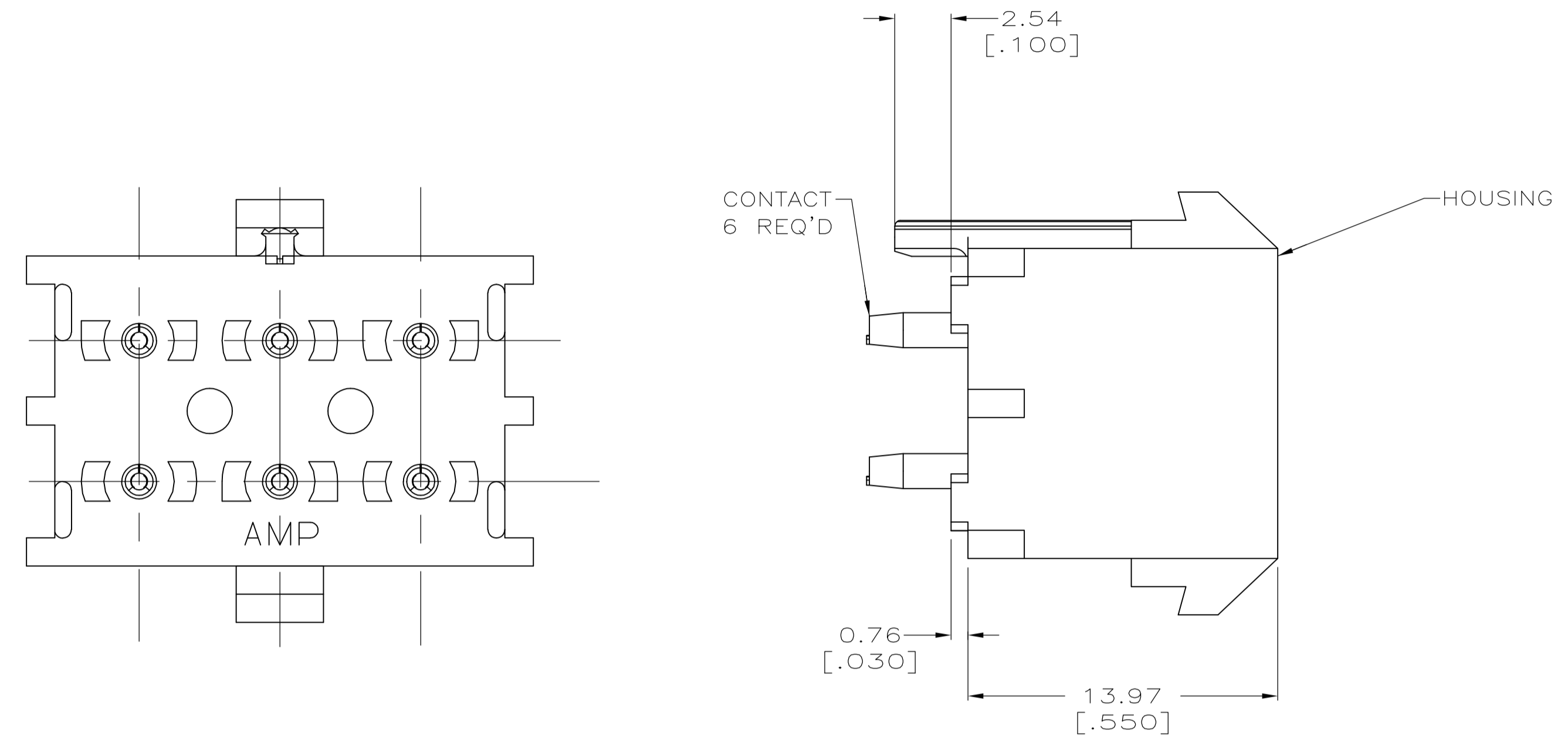


LOC	DIST	REVISIONS				
CM	00	REV	DESCRIPTION	DATE	BY	APPV
		R2	REVISED PER ECR-14-001989	20FEB14	AV	KD
		R3	REVISED PER ECR-14-006323	06MAY14	AV	KD
		R4	REVISED PER ECR-14-008587	11JUN14	AV	KD

- 1 PARTS COMPLY WITH TE SOLDERABILITY SPECIFICATION 109-11-3.
- 2 CIRCUIT IDENTIFICATION CHARACTERS ARE ADJACENT TO THE INDICATED CAVITIES, BUT LOCATION AND ORIENTATION MAY DIFFER FROM PRINT.
- 3 CONTACT IS PLATED OVERALL WITH 0.00127 [.000050] NICKEL, THEN 0.00076 [.000030] GOLD OVER CONTACT LENGTH INDICATED AND MATTE TIN LEAD ON SOLDER TAIL END.
- 4 DIMENSIONS IN BRACKETS ARE IN INCHES.
- 5 CONTACT IS PLATED OVERALL WITH 0.00127 [.000050] NICKEL, THEN 0.00076 [.000030] GOLD OVER CONTACT LENGTH INDICATED AND MATTE TIN ON SOLDER TAIL END.
- 6 SUPERSEDED BY 641970-3
- 7 MATERIAL CORRESPONDING TO THE REQUIREMENT OF IEC 60335. (INL GLOW WIRE TEST 750°C WITHOUT FLAME)
- 8 PRELIMINARY PART NOT RELEASED FOR PRODUCTION.



MATERIAL	FINISH	MATERIAL	COLOR	PART NO
PH BRZ	TIN PLATED	NYLON, UL94V-2	NATURAL	641970-5
PH BRZ	TIN PLATED	NYLON, UL94V-0	NATURAL	641970-4
PH BRZ	GOLD PLATED	NYLON, UL94V-0	WHITE	641970-3
PH BRZ	TIN PLATED	NYLON, UL94V-0	BLACK	1-641970-1
PH BRZ	GOLD PLATED	NYLON, UL94V-0	WHITE	641970-2
PH BRZ	TIN PLATED	NYLON, UL94V-0	WHITE	641970-1

THIS DRAWING IS A CONTROLLED DOCUMENT.		DIN B LEWIS 8-27-97		TE Connectivity	
DIMENSIONS: mm [INCHES]		TOLERANCES UNLESS OTHERWISE SPECIFIED:		NAME	
0 PLC	± -	8-27-97		PIN HEADER ASSEMBLY, POLARIZED, 6 CIRCUIT, UNIVERSAL MATE-N-LOK™	
1 PLC	± -	8-27-97		SIZE	
2 PLC	± -	8-27-97		CAGE CODE	
3 PLC	± 0.13 [.005]	8-27-97		DRAWING NO	
4 PLC	± -	8-27-97		WEIGHT	
ANGLES	± -	8-27-97		A1 00779 641970	
MATERIAL	SEE TABLE	FINISH		CUSTOMER DRAWING	
SCALE 5:1		SHEET 1 OF 1		REV R4	

单击下面可查看定价，库存，交付和生命周期等信息

[>>TE Connectivity\(泰科\)](#)