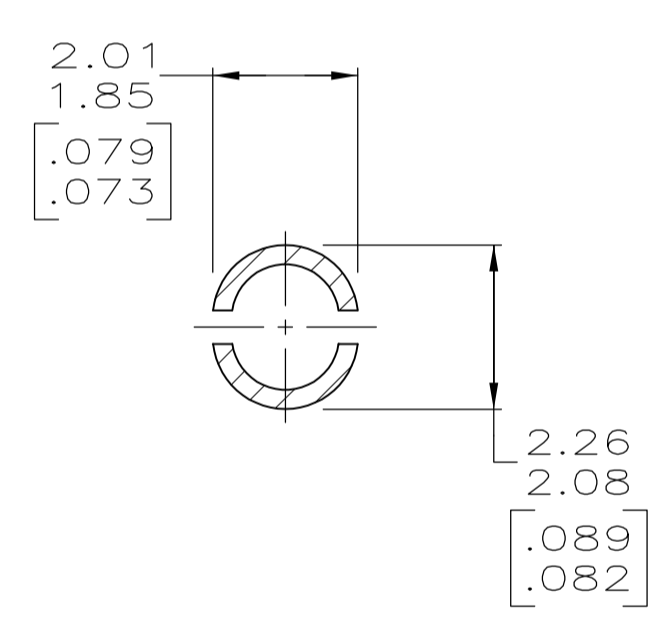
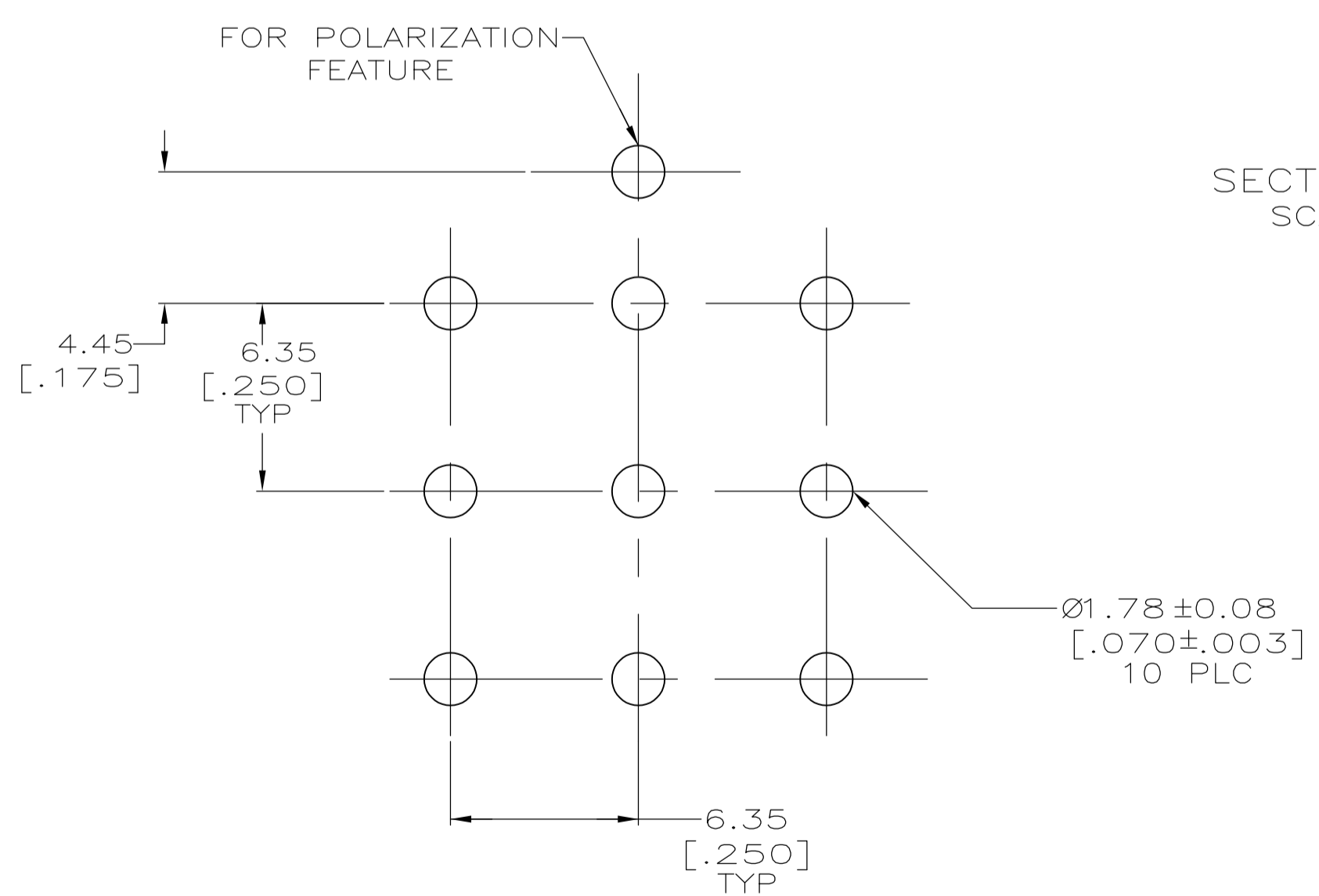
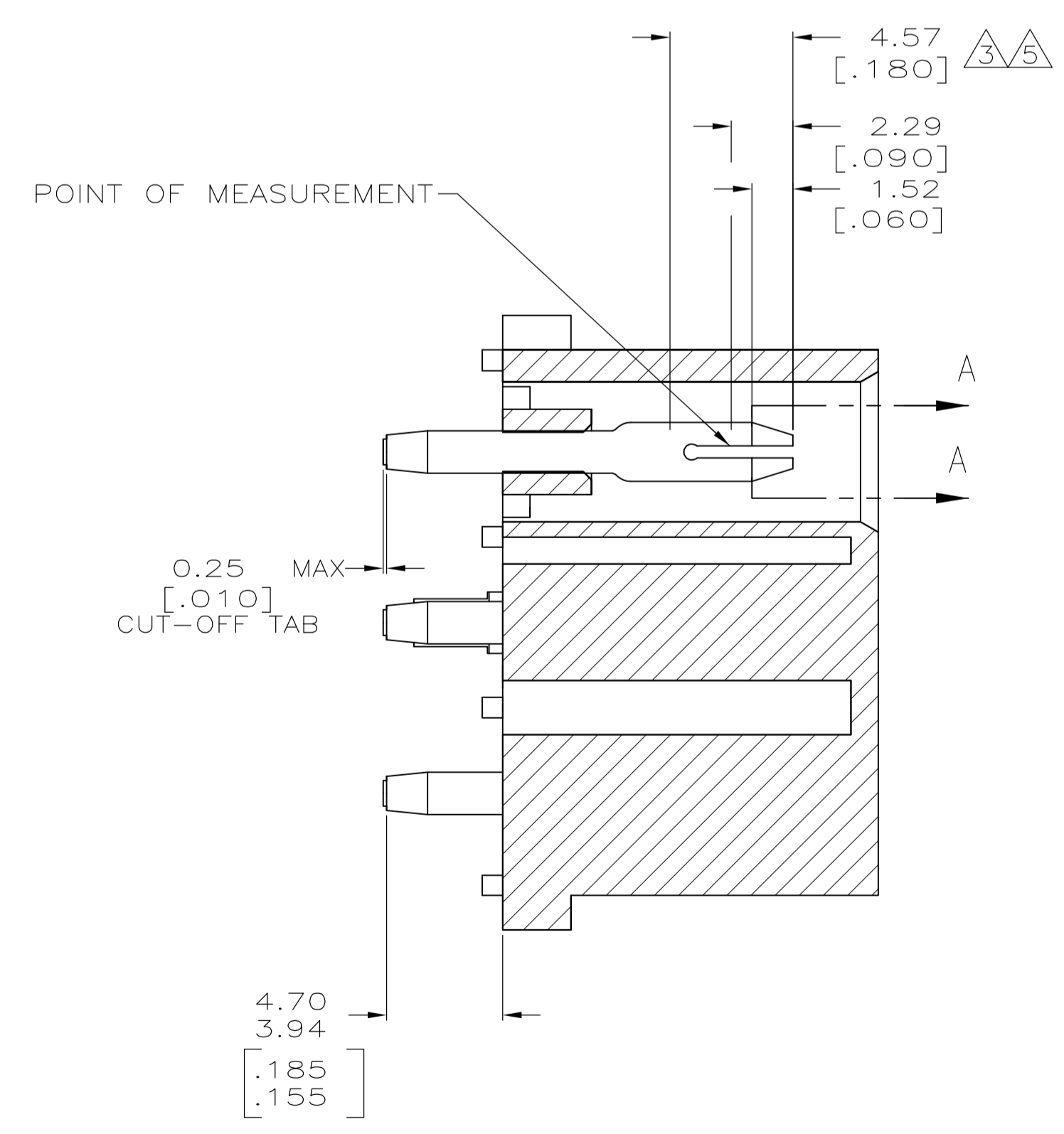
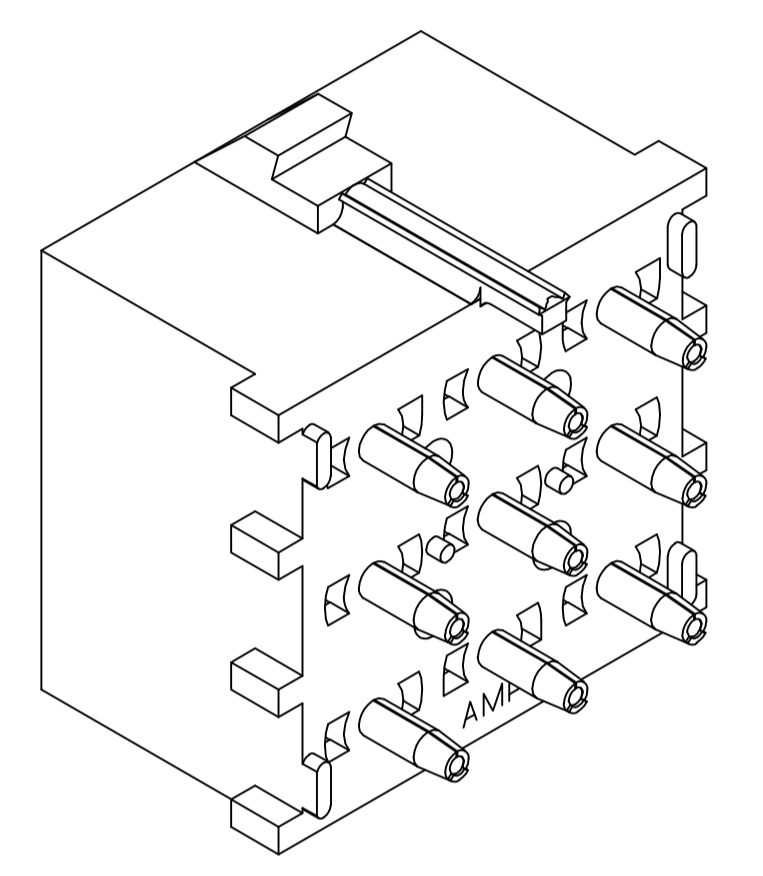
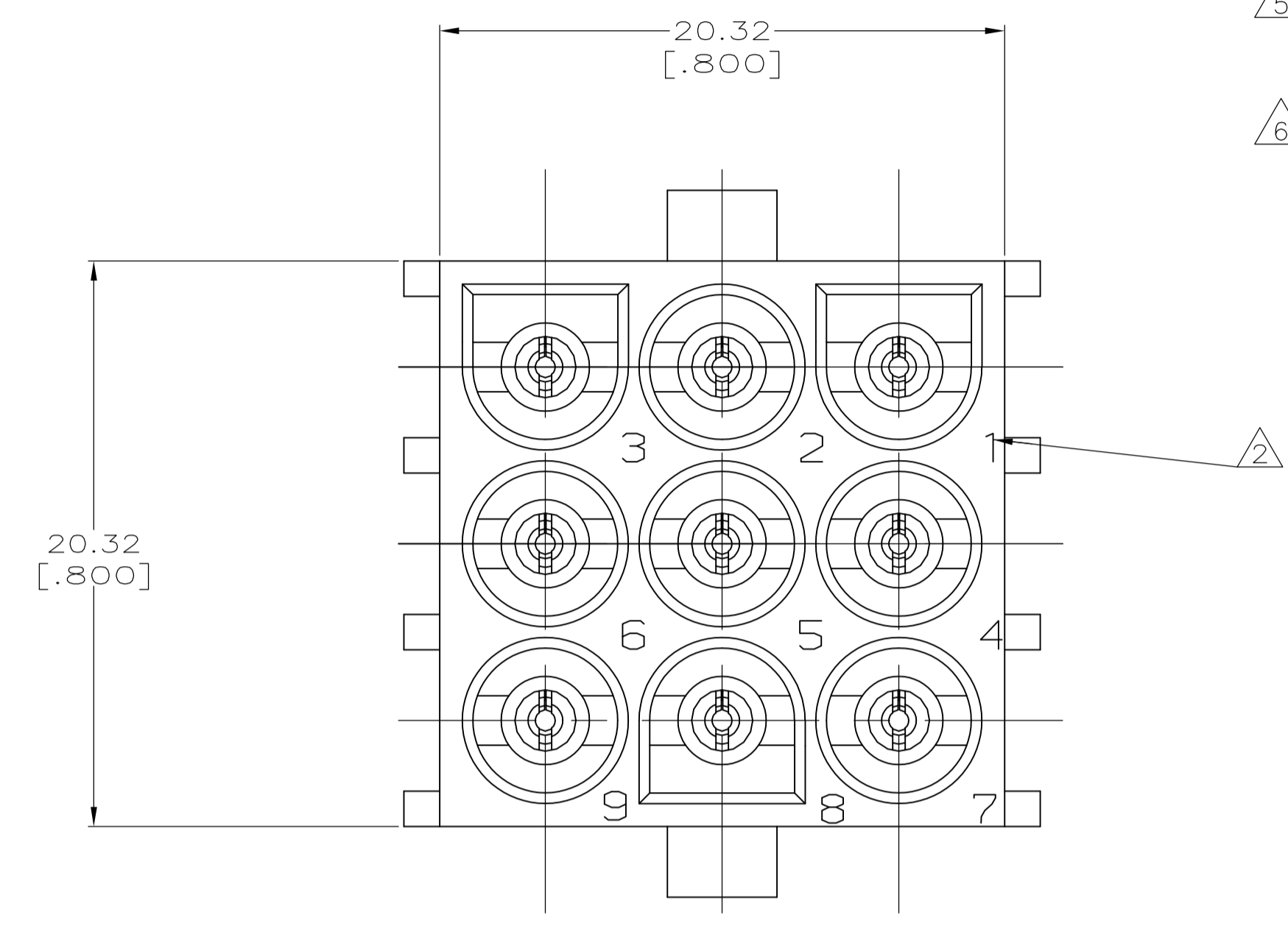
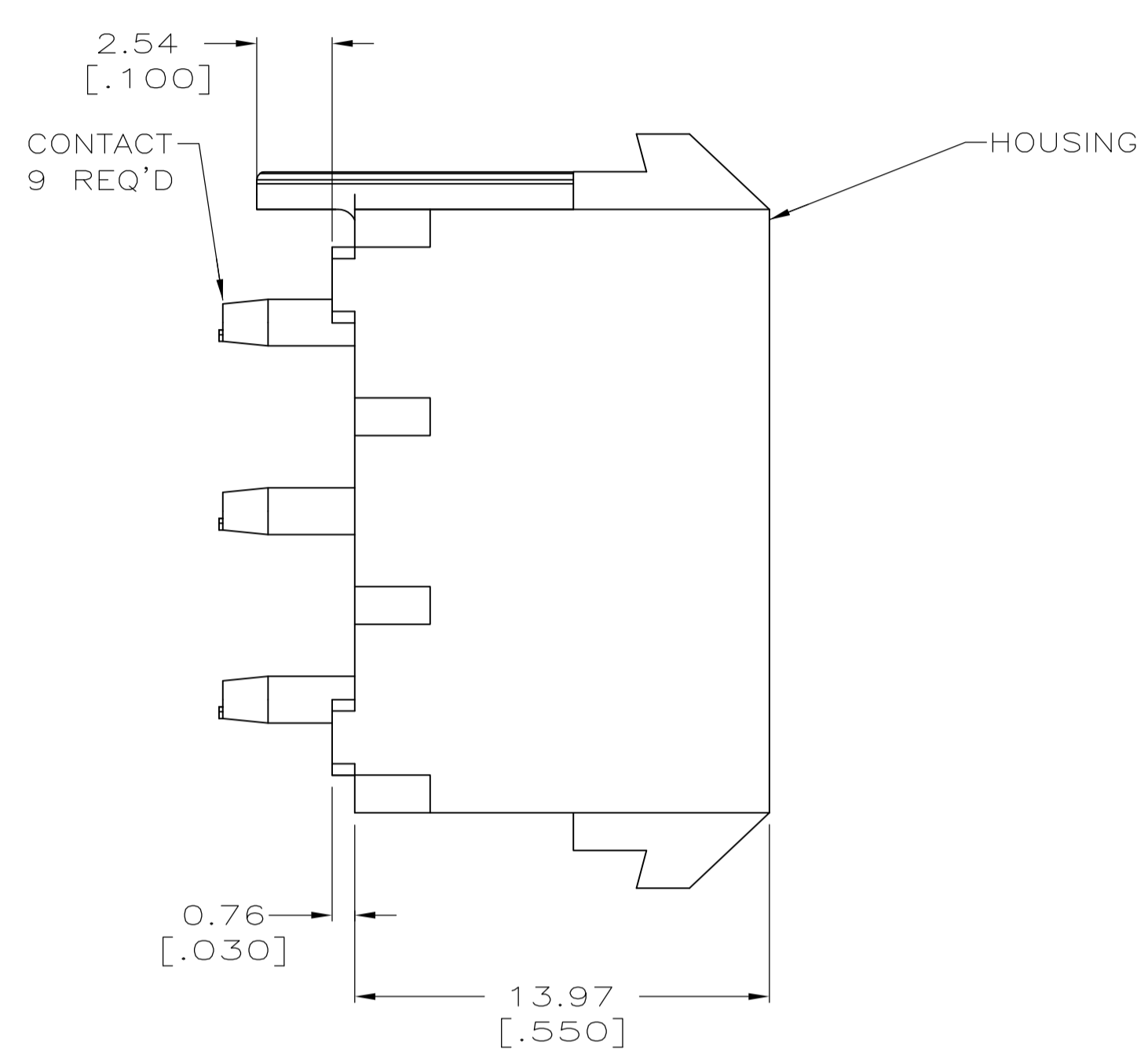
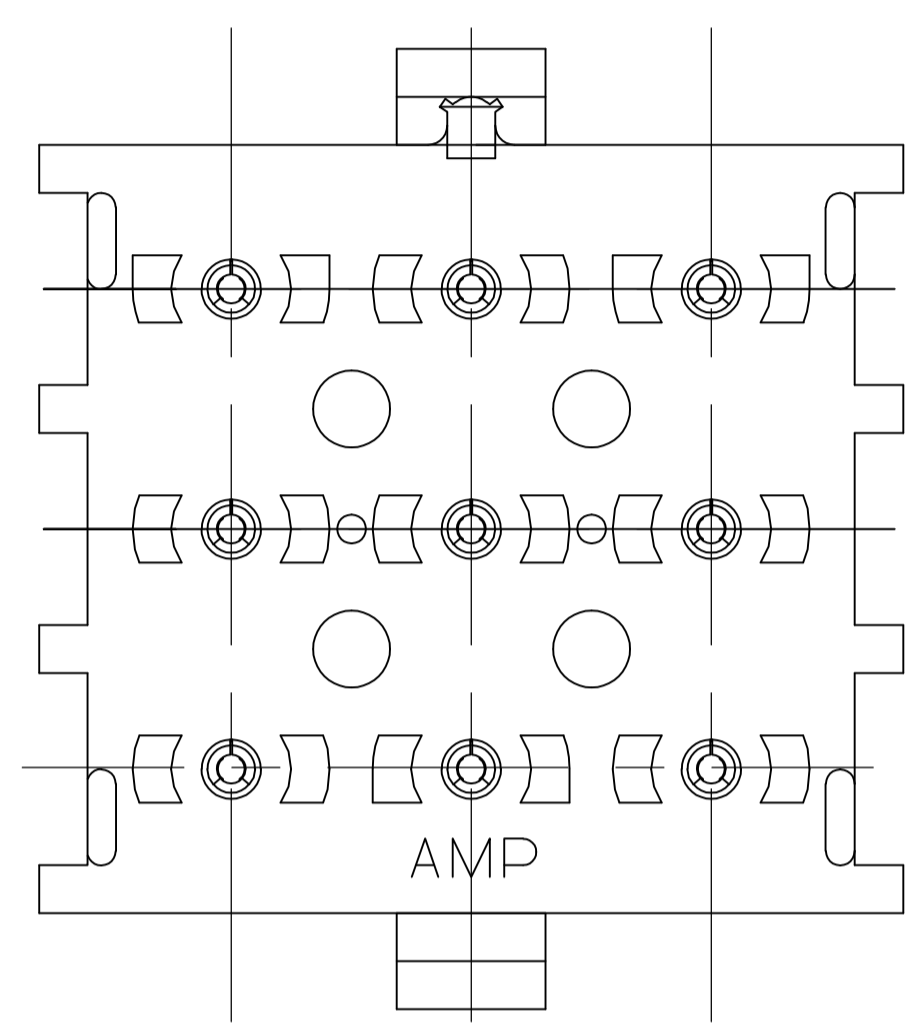


REVISIONS				
REV	DATE	DESCRIPTION	BY	APP'D
R3	16MAY17	REVISED PER ECO-17-007038	RS	KR

- 1 PARTS COMPLY WITH AMP SOLDERABILITY SPECIFICATION 109-11-3.
- 2 CIRCUIT IDENTIFICATION CHARACTERS ARE ADJACENT TO THE INDICATED CAVITIES, BUT LOCATION AND ORIENTATION MAY DIFFER FROM PRINT.
- 3 CONTACT IS PLATED OVERALL WITH 0.00127 [.000050] NICKEL, THEN 0.00076 [.000030] GOLD OVER CONTACT LENGTH INDICATED AND MATTE TIN LEAD ON SOLDER TAIL END.
- 4 DIMENSIONS IN BRACKETS ARE IN INCHES.
- 5 CONTACT IS PLATED OVERALL WITH 0.00127 [.000050] NICKEL, THEN 0.00076 [.000030] GOLD OVER CONTACT LENGTH INDICATED AND MATTE TIN ON SOLDER TAIL END.
- 6 SUPERSEDED BY 641972-3



RECOMMENDED MOUNTING HOLE PATTERN FOR 1.57 [.062] THICK P.C. BOARD

MATERIAL	FINISH	MATERIAL	COLOR	PART NO
PH BRZ	GOLD PLATED	NYLON, UL94V-0	WHITE	641972-3
PH BRZ	TIN PLATED	NYLON, UL94V-0	BLACK	1-641972-1
PH BRZ	GOLD PLATED	NYLON, UL94V-0	WHITE	641972-2
PH BRZ	TIN PLATED	NYLON, UL94V-0	WHITE	641972-1

THIS DRAWING IS A CONTROLLED DOCUMENT.		DIN 8-29-97	STE TE Connectivity	
DIMENSIONS: mm [INCHES]		TOLERANCES UNLESS OTHERWISE SPECIFIED:	NAME: M. TRULL	
0 PLC ± -		1 PLC ± -	PRODUCT SPEC	
2 PLC ± -		2 PLC ± -	APPLICATION SPEC	
3 PLC ± 0.13 [.005]		3 PLC ± -	SIZE: A1	
4 PLC ± -		4 PLC ± -	CAGE CODE: 00779	
ANGLES ± -		ANGLES ± -	DRAWING NO: 641972	
MATERIAL: SEE TABLE	FINISH: SEE TABLE	WEIGHT: 0.000000	SCALE: 5:1	SHEET 1 OF 1
CUSTOMER DRAWING		REV R3		

单击下面可查看定价，库存，交付和生命周期等信息

[>>TE Connectivity\(泰科\)](#)