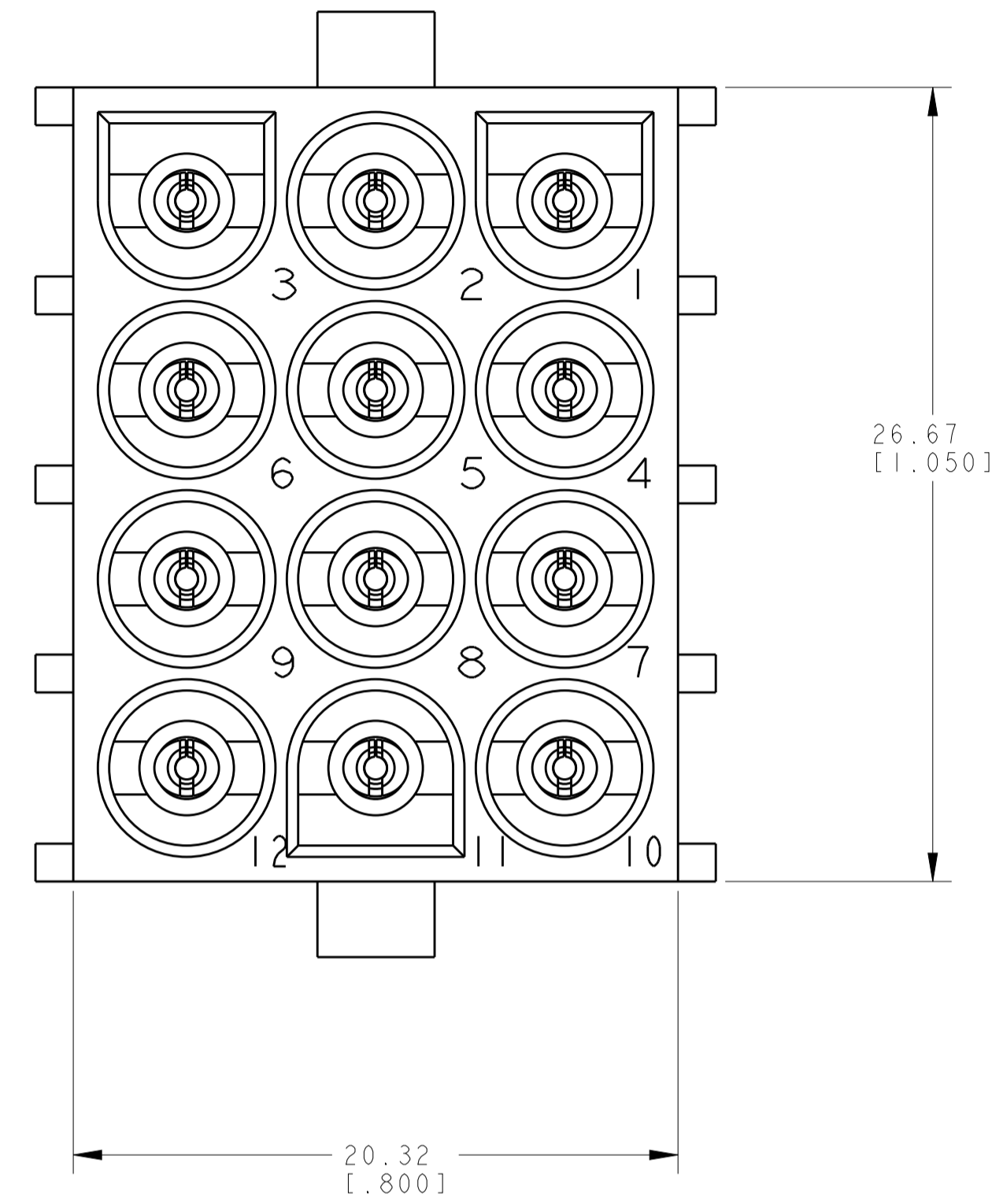
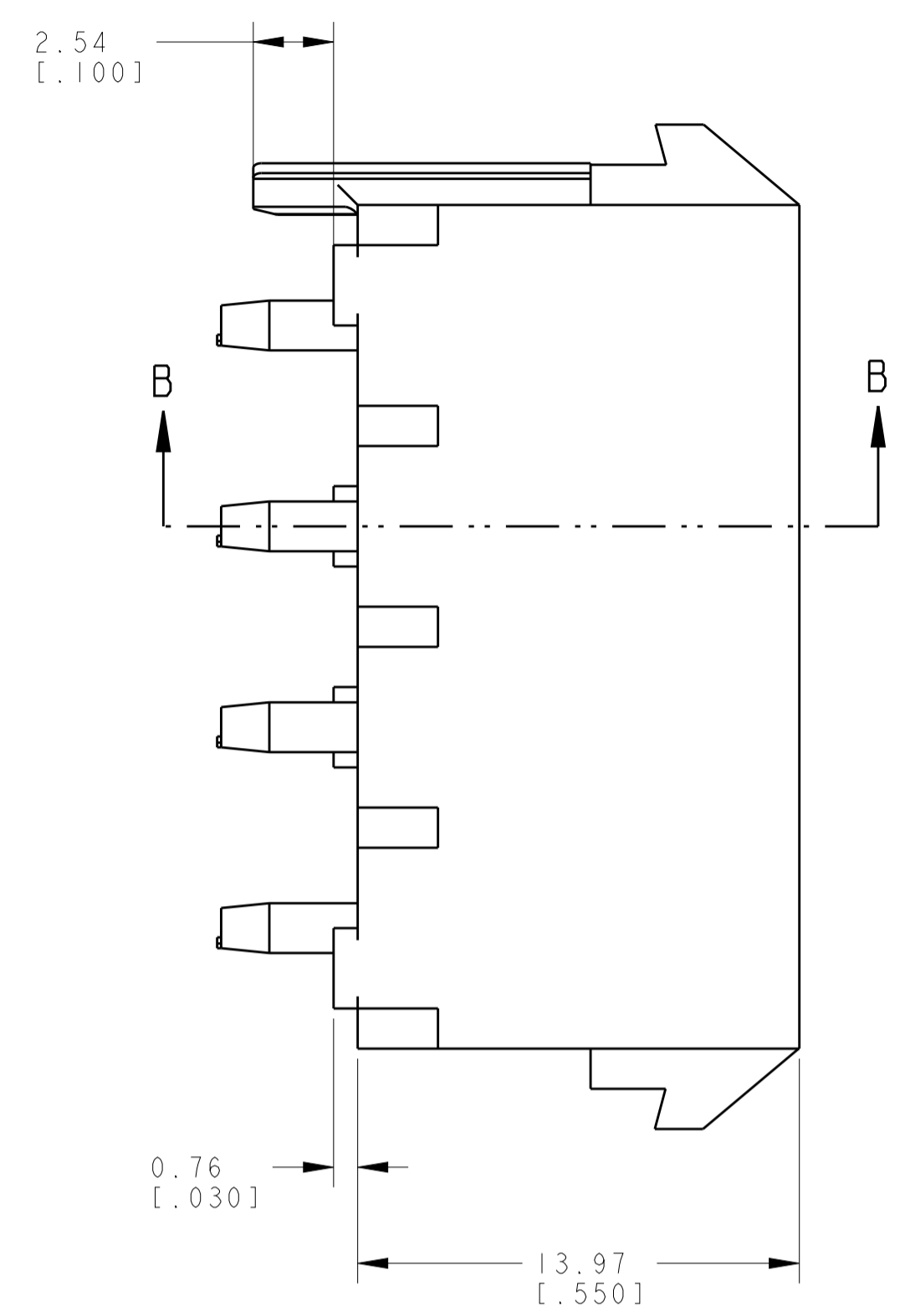
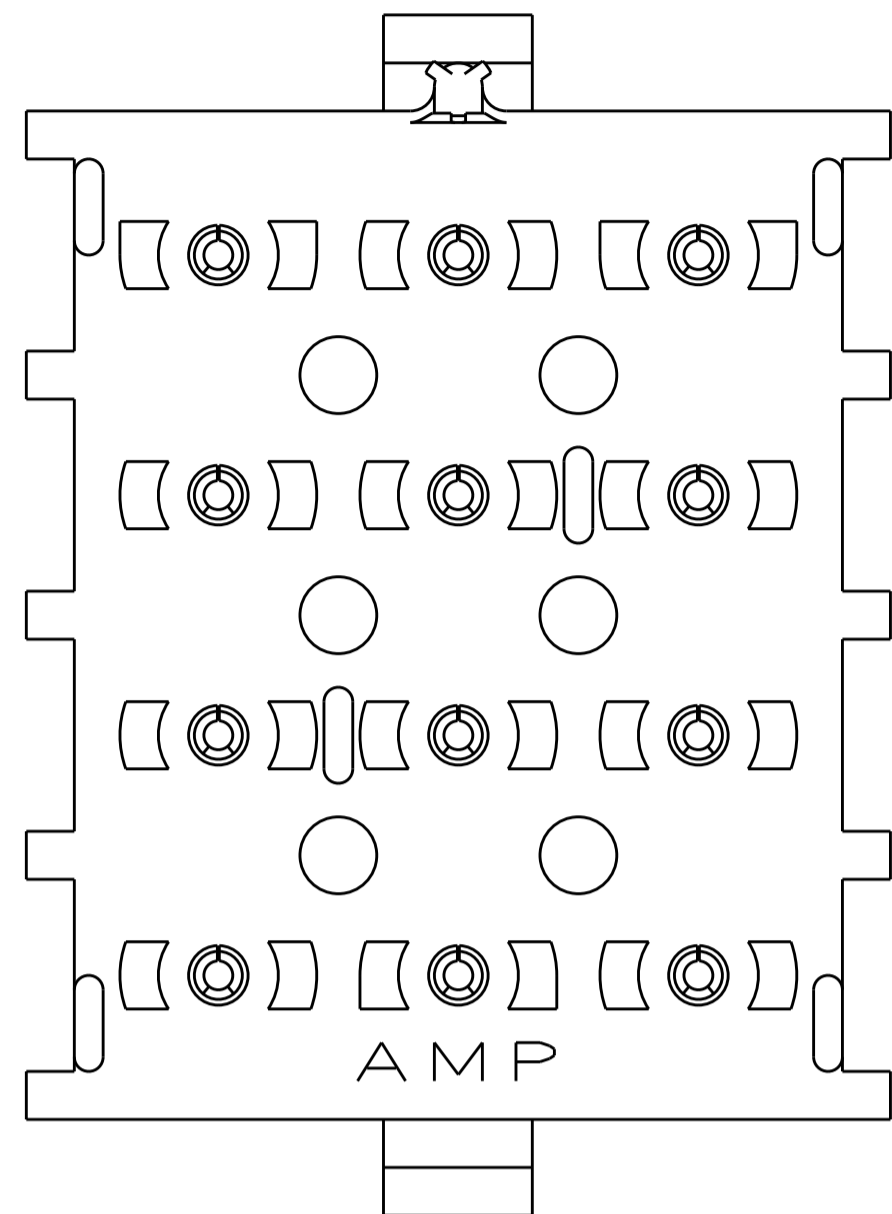
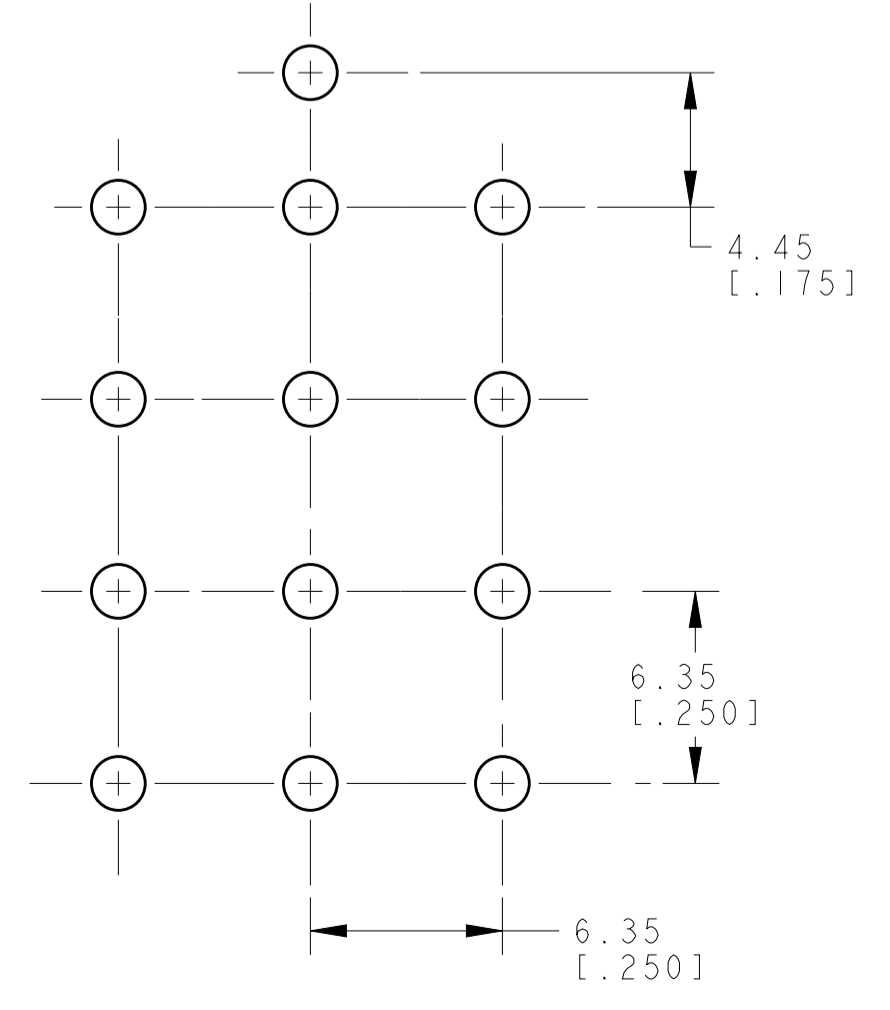
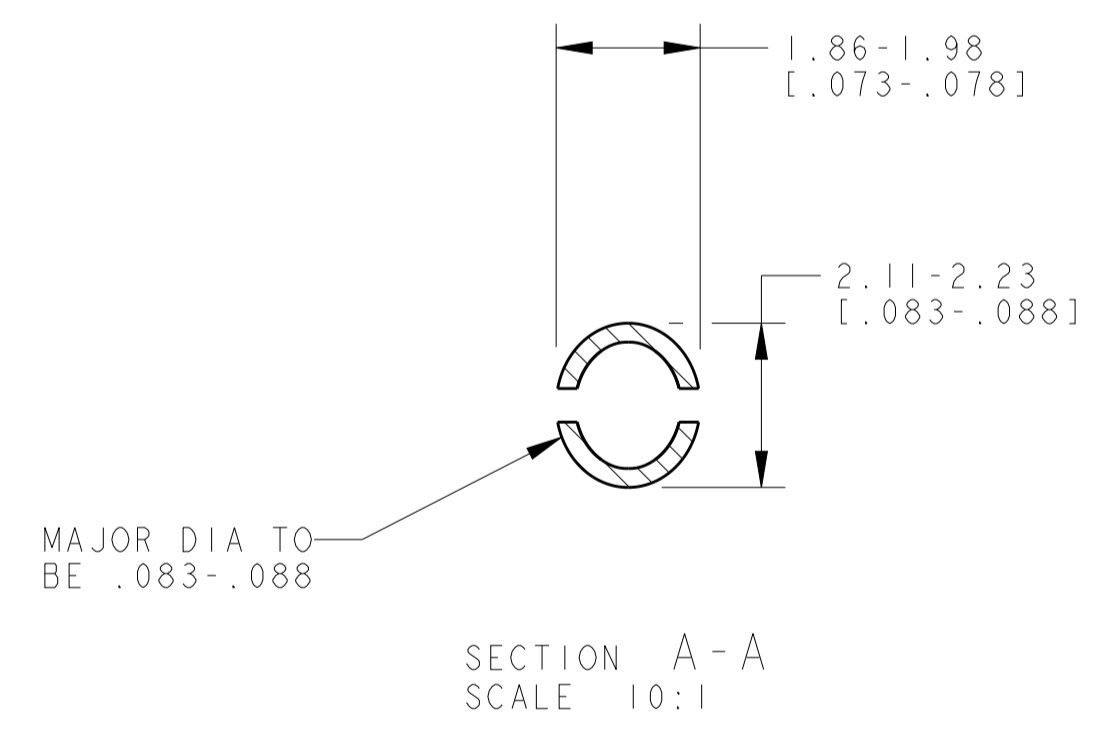
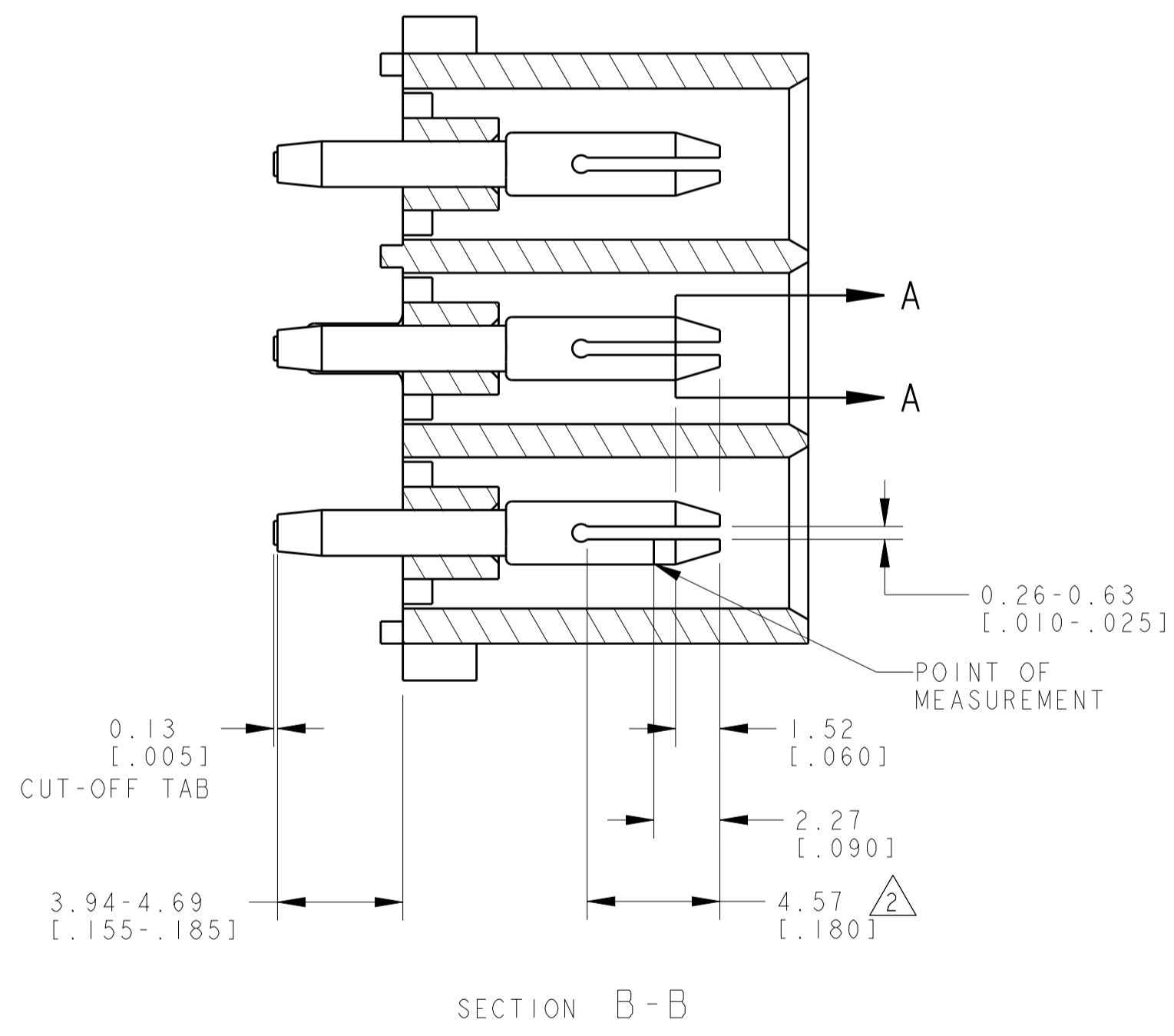


LOC	DIST	REVISIONS			
		REV	DATE	BY	APP'D
CM	00	P1	24JAN2013	KH	TM



1. PARTS MUST COMPLY WITH AMP SOLDERABILITY SPEC. 109-11-3.
2. CONTACT IS PLATED OVERALL WITH 0.00127 [0.000050] NICKEL, THEN 0.00076 [0.000030] GOLD OVER CONTACT LENGTH INDICATED AND TIN LEAD ON SOLDER TAIL END.
3. CIRCUIT IDENTIFICATION ON CHARACTERS ARE ADJACENT TO THE INDICATED CAVITIES, BUT LOCATION AND ORIENTATION MAY DIFFER FROM PRINT.
4. CONTACT IS PLATED OVERALL WITH 0.00127 [0.000050] NICKEL, THEN 0.00076 [0.000030] GOLD OVER CONTACT LENGTH INDICATED AND MATTE TIN ON SOLDER TAIL END.
5. SUPERSEDED BY 641974-3



MATERIAL	FINISH	MATERIAL	COLOR	PART NO
PH BRZ	PRE-TIN	NYLON, 94V-0	BLACK	1-641974-1
PH BRZ	GOLD ⁴	NYLON, 94V-0	WHITE	641974-3
PH BRZ	GOLD ²	NYLON, 94V-0	WHITE	641974-2
PH BRZ	PRE-TIN	NYLON, 94V-0	WHITE	641974-1

METRIC

THIS DRAWING IS A CONTROLLED DOCUMENT.

OWN: R. WHITAKER 14OCT2005
 CHK: S. RIDGILL 14OCT2005
 AP'D: S. RIDGILL 14OCT2005

NAME: **STE** TE Connectivity

PRODUCT SPEC: HEADER ASSEMBLY, PIN UNIVERSAL MATE-N-LOK (TM), (STANDARD TAIL)

APPLICATION SPEC: -

SIZE: A1 | CAGE CODE: - | DRAWING NO: 641974 | RESTRICTED TO: -

MATERIAL: - | FINISH: - | WEIGHT: - | SCALE: 5:1 | SHEET: 1 OF 1 | REV: P1

CUSTOMER DRAWING

单击下面可查看定价，库存，交付和生命周期等信息

[>>TE Connectivity\(泰科\)](#)