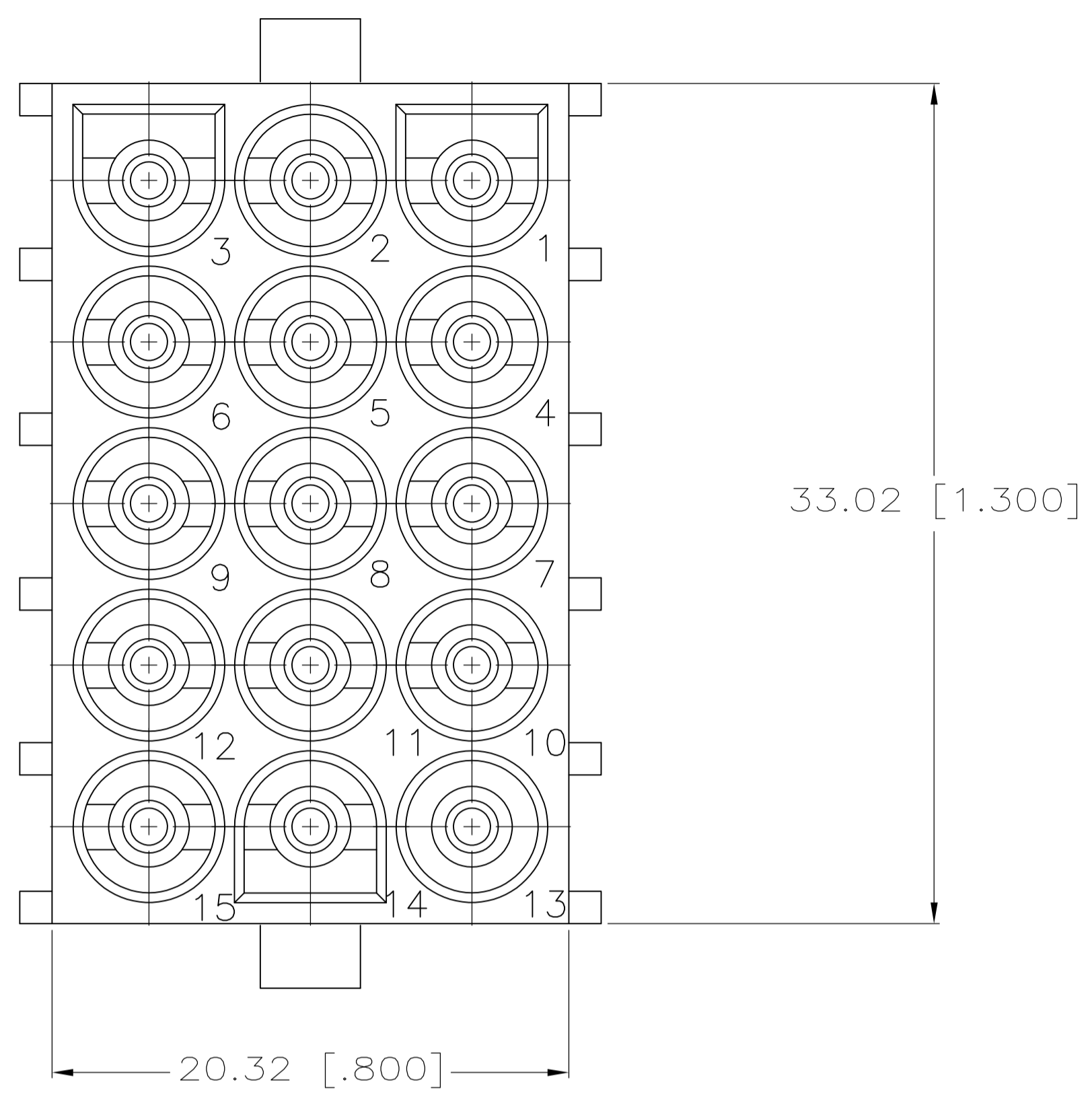
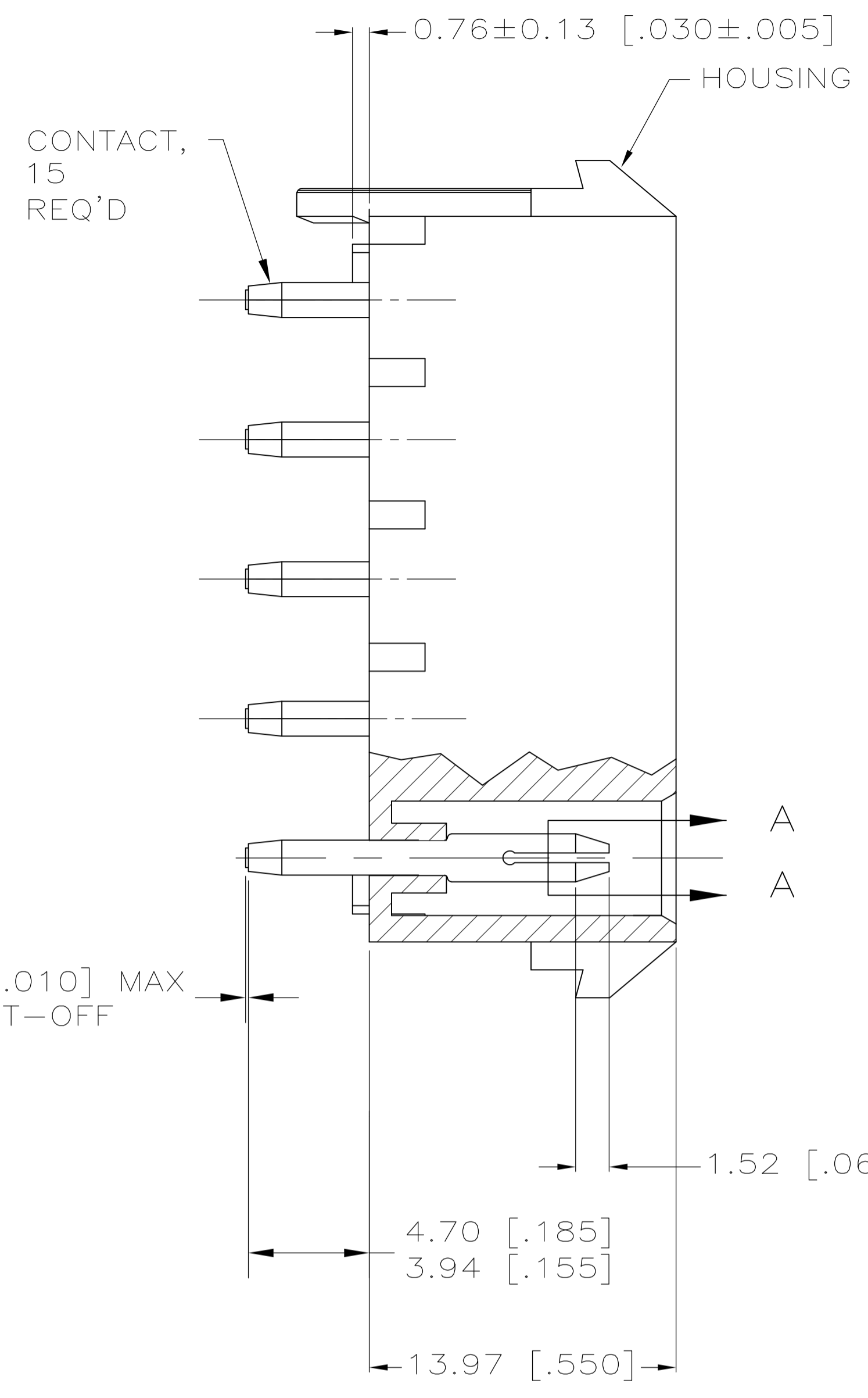
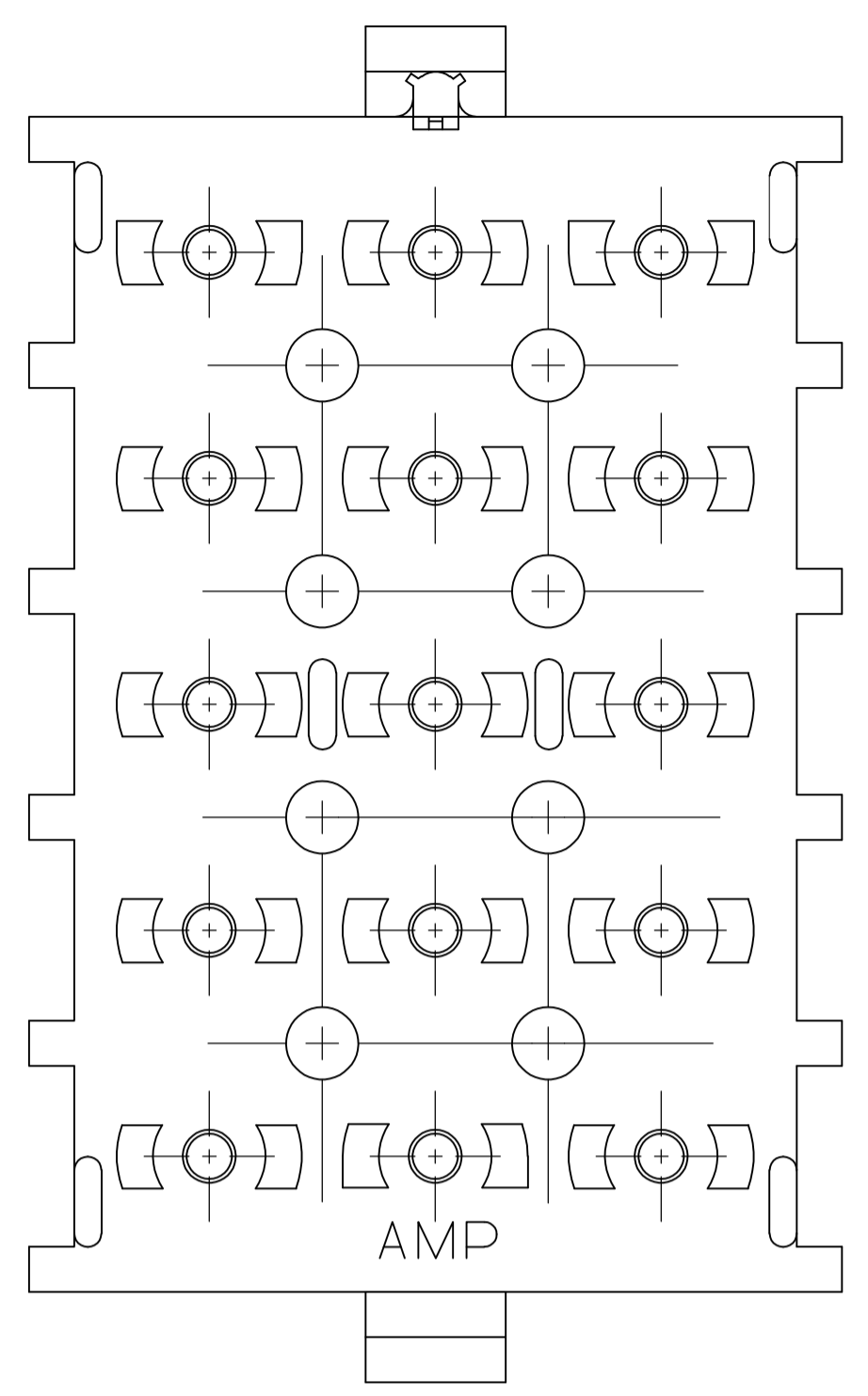
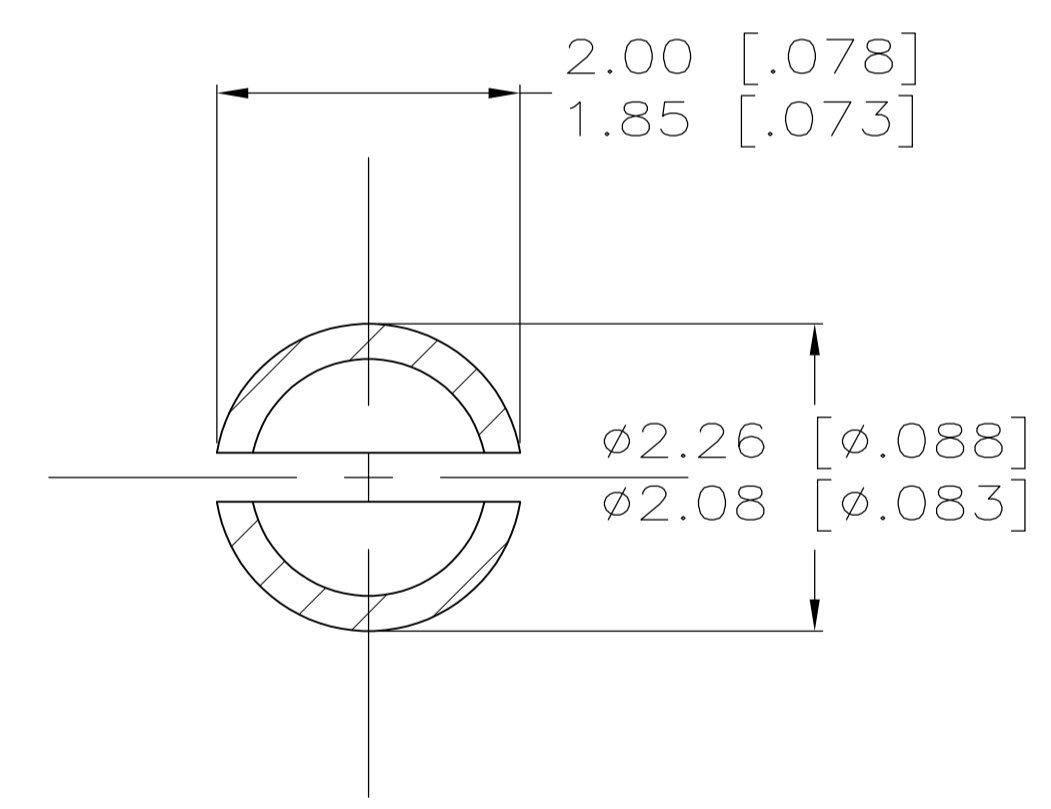


LOC		DIST		REVISIONS			
CM	00	REV	DATE	BY	APPV	DATE	DESCRIPTION
		K2	31JAN13	KH	TM		REVISED PER ECR-12-011660

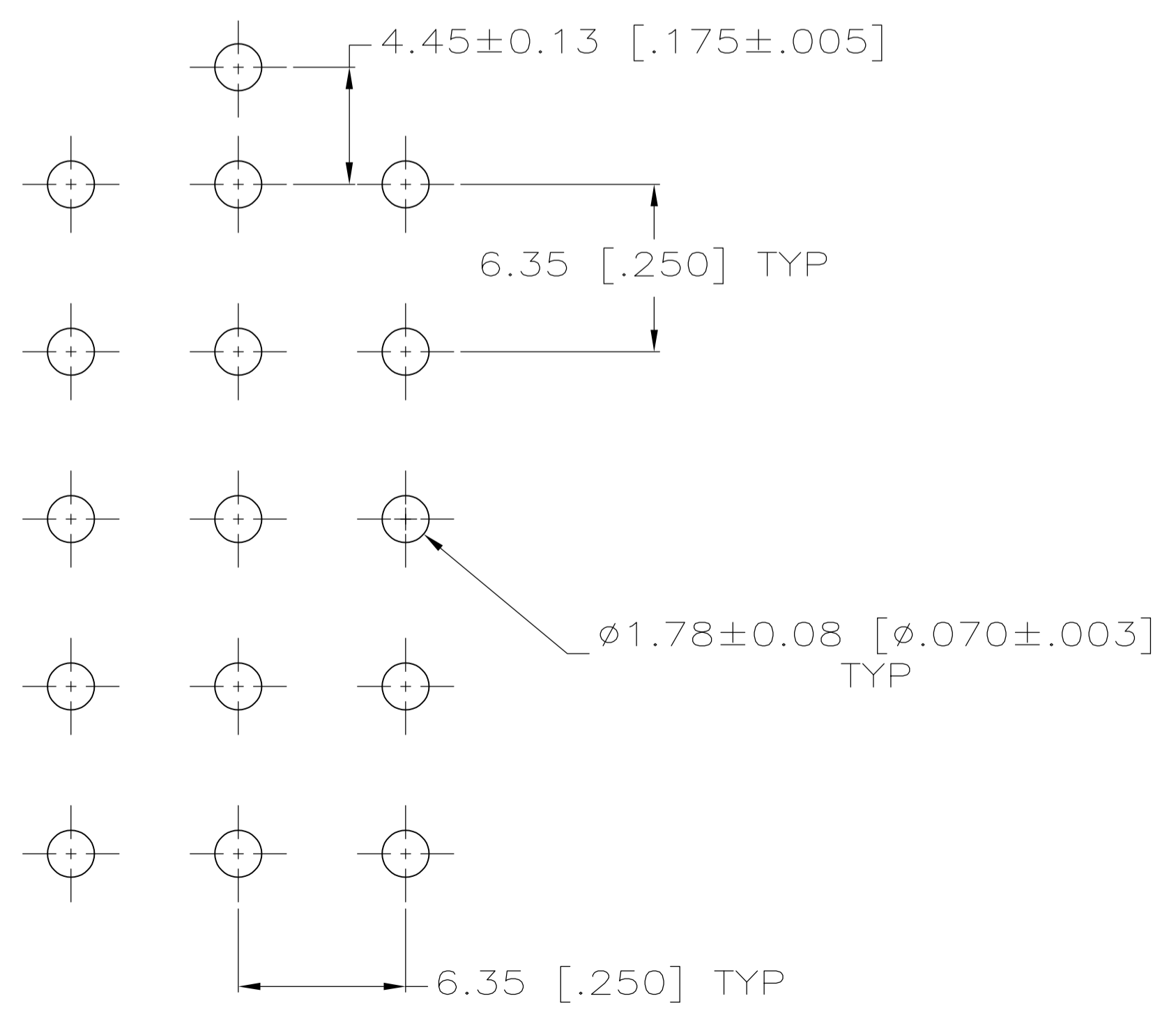


- 1 PARTS MUST COMPLY WITH AMP SOLDERABILITY SPEC 109-11-3.
- 2 MATES WITH HOUSING NO. 350736 USING SOCKET CONTACTS.
- 3 CONTACT IS STAMPED FROM PRE-PLATED STOCK WHICH IS PLATED OVERALL WITH 0.00127 [.000050] NICKEL, THEN STRIPED WITH 0.00076 [.000030] GOLD IN CONTACT AREA INDICATED AND TIN-LEAD ON SOLDER TAIL END.
- 4 CONTACT IS PLATED OVERALL WITH 0.00127 [.000050] NICKEL, THEN 0.00076 [.000030] GOLD OVER CONTACT LENGTH INDICATED AND MATTE TIN ON SOLDER TAIL END.
- 6 SUPERSEDED BY 641976-4

0.25 [.010] MAX CUT-OFF



SECTION A-A
SCALE 12:1



RECOMMENDED LAYOUT FOR 1.58 [.062] THICK PC BOARD

PH BRZ GOLD Δ 4	NYLON, UL94V-0	641976-4
PH BRZ GOLD Δ 3	NYLON, UL94V-0	641976-2
PH BRZ TIN	NYLON, UL94V-0	641976-1
CONTACT	HOUSING	PART NO

THIS DRAWING IS A CONTROLLED DOCUMENT.		DWG NO. 140CT2005		TE Connectivity	
DIMENSIONS: mm [INCHES]		TOLERANCES UNLESS OTHERWISE SPECIFIED:			
0. PLC ± 1. PLC ± 2. PLC ± 3. PLC ± 0.13 [.005] 4. PLC ± ANGLES ±		DIM: K. WHITAKER CHK: S. RIDGILL APVD: S. RIDGILL PRODUCT SPEC		NAME: HEADER ASSEMBLY, PIN, POLARIZED, UNIVERSAL MATE-N-LOK(TM), 15 CIRCUIT	
MATERIAL SEE CHART		FINISH		SIZE: A1 CAGE CODE: 00779 DRAWING NO: 641976	
CUSTOMER DRAWING		SCALE: 5:1		SHEET 1 OF 1 REV K2	

单击下面可查看定价，库存，交付和生命周期等信息

[>>TE Connectivity\(泰科\)](#)