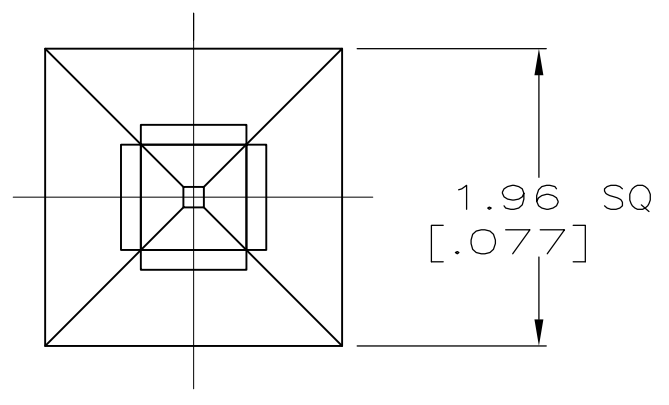
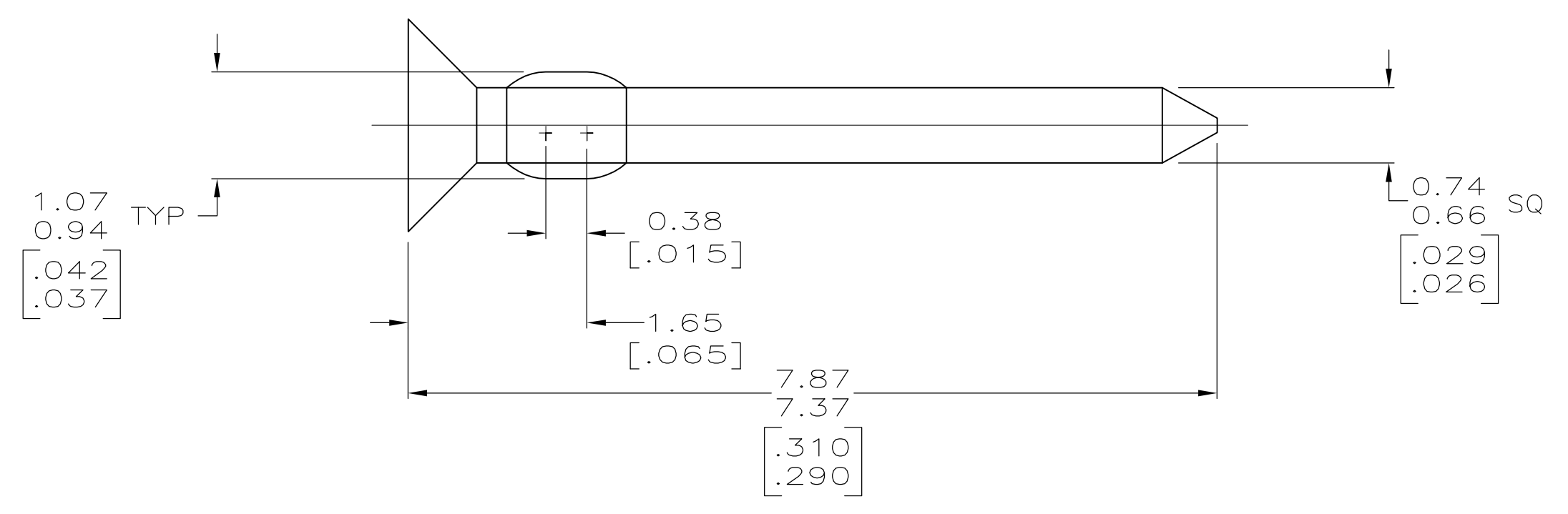
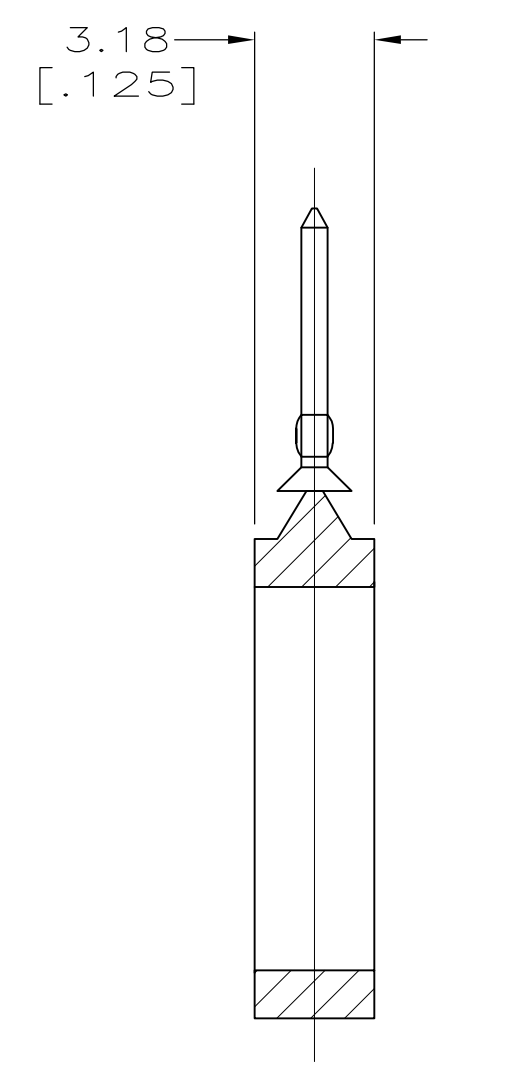


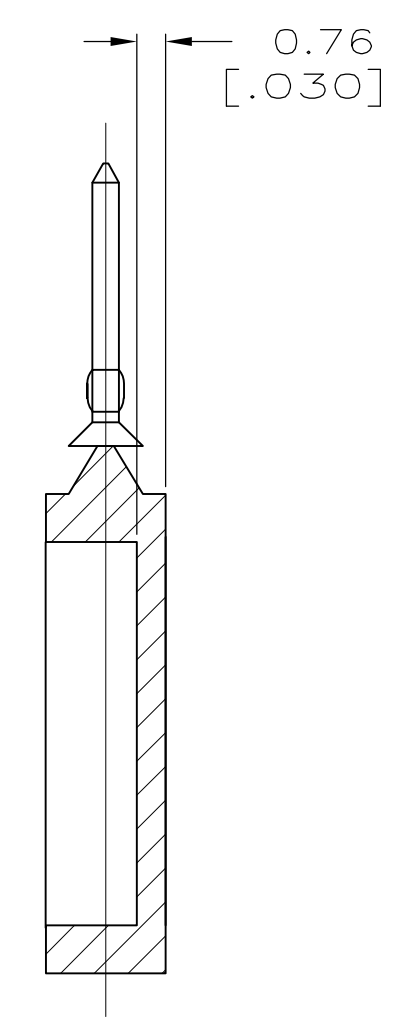
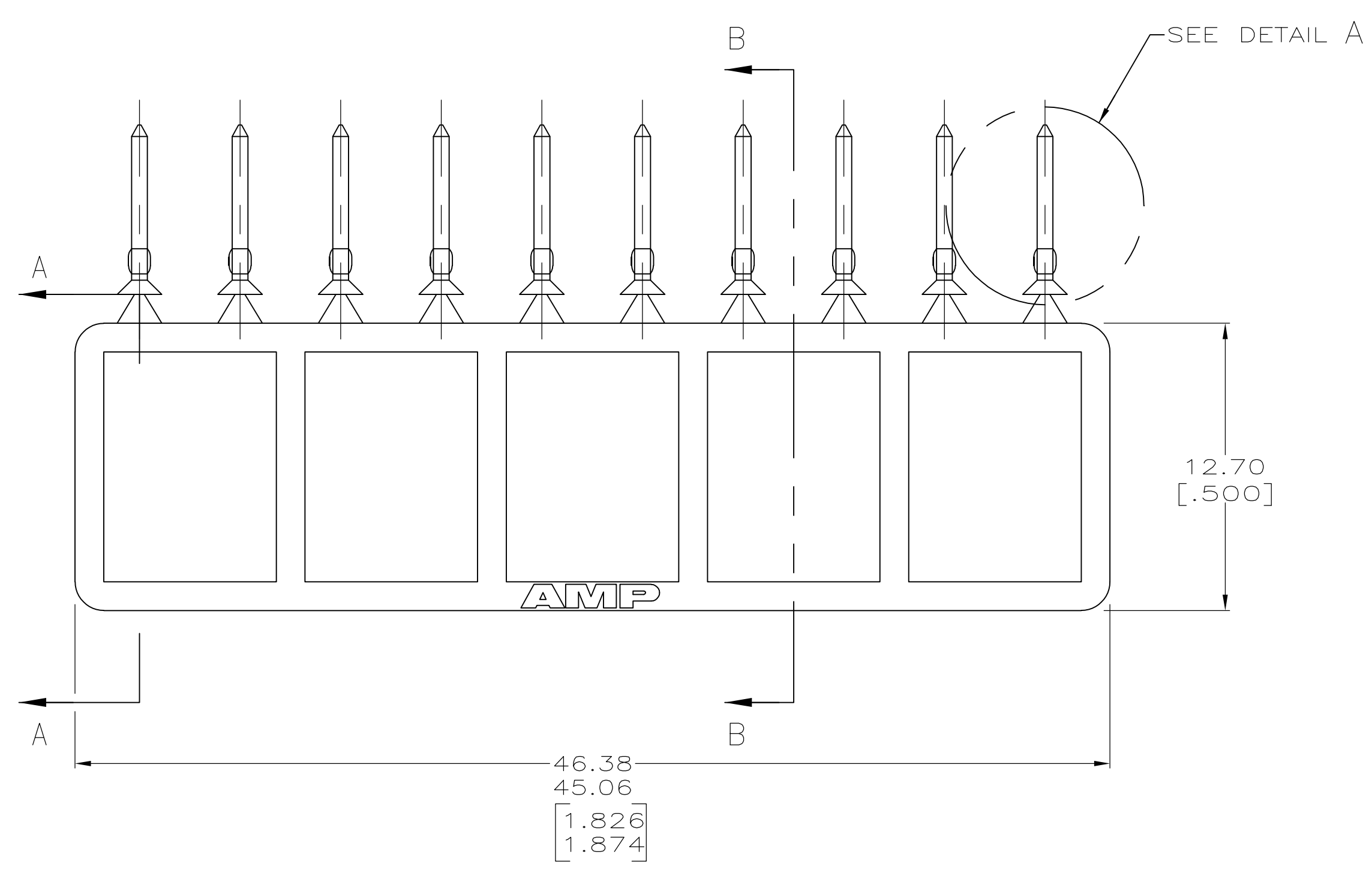
1. DIMENSIONS IN BRACKETS ARE IN INCHES.
2. NOTE ONE STRIP IS ORDERED AS 10 PIECES OF 641994-1.
3. MISALIGNMENT OF KEYING PLUGS ON CARRIER STRIP IS ALLOWABLE. KEYING PLUGS MUST REMAIN ATTACHED TO CARRIER.



DETAIL A
SCALE 20:1
ROTATED 90° CW



SECTION A-A



SECTION B-B
OPTIONAL CONSTRUCTION
2 PLC

641994-1
PART NUMBER

METRIC

THIS DRAWING IS A CONTROLLED DOCUMENT.		DWN D.Z 28JAN2016	
DIMENSIONS: mm [INCHES]		CHK D.Z 28JAN2016	
TOLERANCES UNLESS OTHERWISE SPECIFIED:		APRD P.Q 28JAN2016	NAME KEYING PLUG WITH CARRIER STRIP, MTA 100
0 PLC ± -	1 PLC ± -	PRODUCT SPEC	APPLICATION SPEC
2 PLC ± -	3 PLC ± 0.13 [0.005]	SIZE	CAGE CODE DRAWING NO
4 PLC ± -	ANGLES ± -	WEIGHT	RESTRICTED TO
MATERIAL NYLON, 6/6	FINISH	A1 00779	641994
CUSTOMER DRAWING		SCALE 5:1	SHEET 1 OF 1 REV D3

单击下面可查看定价，库存，交付和生命周期等信息

[>>TE Connectivity\(泰科\)](#)